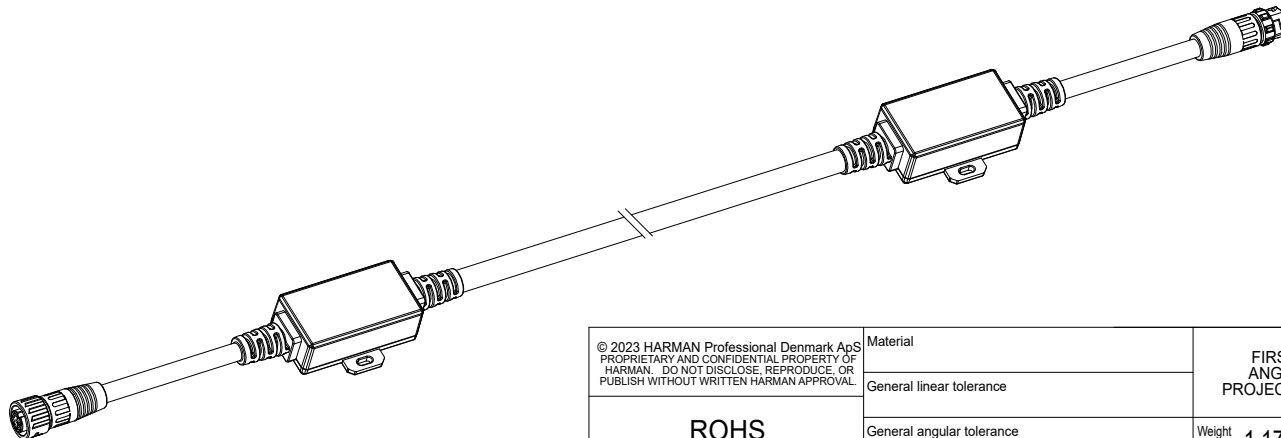
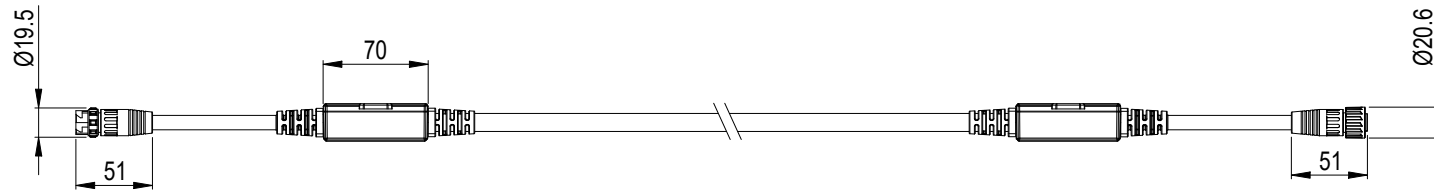
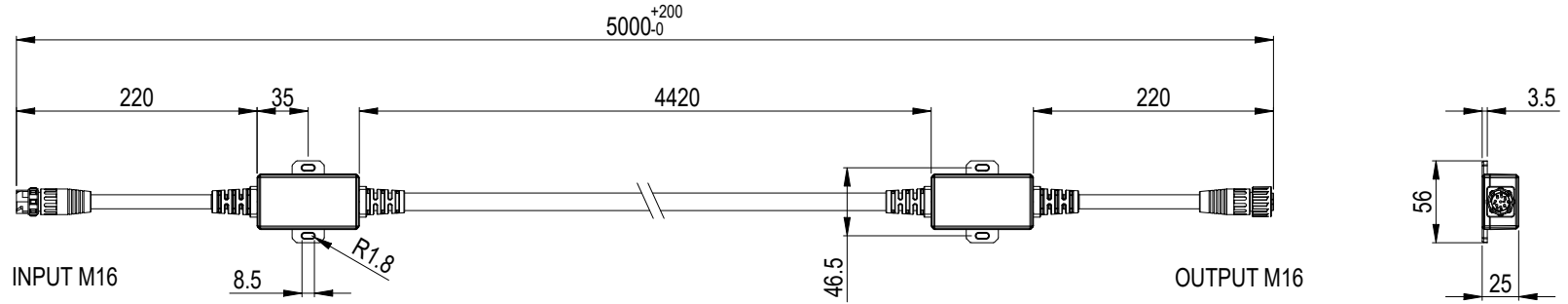


REVISION HISTORY

DATE	REV.	DESCRIPTION	BY
2025.12.09	B	Add weight	/



© 2023 HARMAN Professional Denmark ApS  
 PROPRIETARY AND CONFIDENTIAL PROPERTY OF  
 HARMAN. DO NOT DISCLOSE, REPRODUCE, OR  
 PUBLISH WITHOUT WRITTEN HARMAN APPROVAL.

**ROHS**  
 RESTRICTION OF HAZARDOUS SUBSTANCES  
 ALL MATERIALS USED IN THIS PART MUST BE  
 ROHS COMPLIANT.  
 SUPPLIER SHALL PROVIDE A CERTIFICATE OF  
 ROHS COMPLIANCE WITH THE FIRST ARTICLE.

Material	
General linear tolerance	
General angular tolerance	
General geometrical tolerance	
DIMENSIONS SHOWN ARE FOR REFERENCE AND INSPECTION ONLY. REFER TO CAD MODEL PROVIDED WITH THIS DRAWING FOR OVERALL DEFINITION OF PART GEOMETRY.	

FIRST ANGLE PROJECTION	
Weight	1.17KG
Color	
Project number	

		HARMAN Professional Denmark ApS Olof Palmes Allé 44 DK 8200 Aarhus N	
TITLE ( Model in view )			
Active Lead-In Cable Extender			
NO.	MAR-90580023	REV	B
SIZE	A4	SCALE	1:1
UNIT	mm	DO NOT SCALE DRAWING	SHEET 1 OF 1