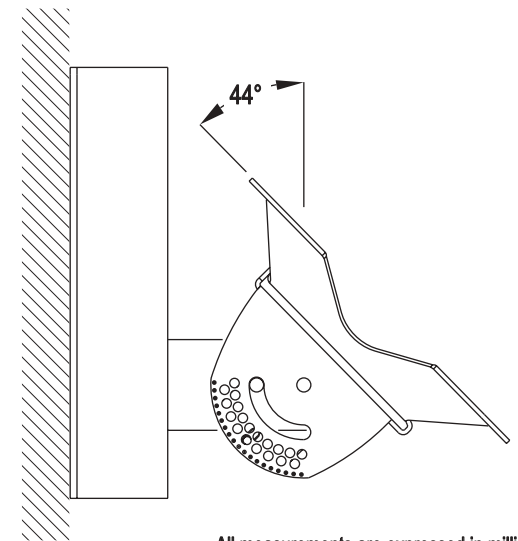
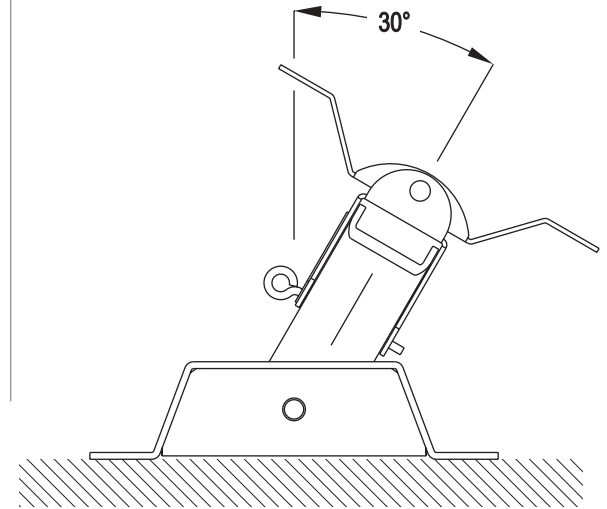
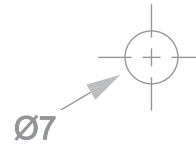
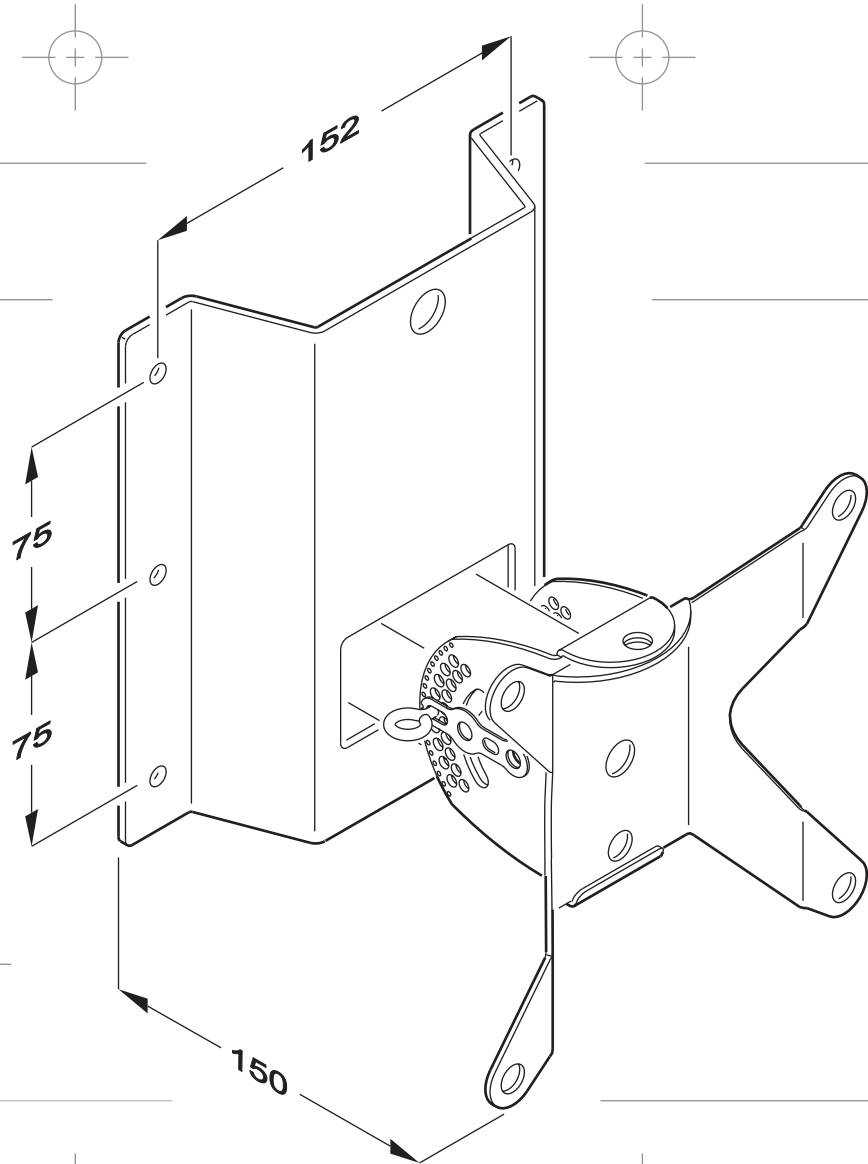


1:1 scale template



All measurements are expressed in millimeters

Mach		Weight (kg)	
Product	C-range	Scale	Date
			06.07.2004
Description	Spider Bracket		Sign
			NPE
			93943042-A