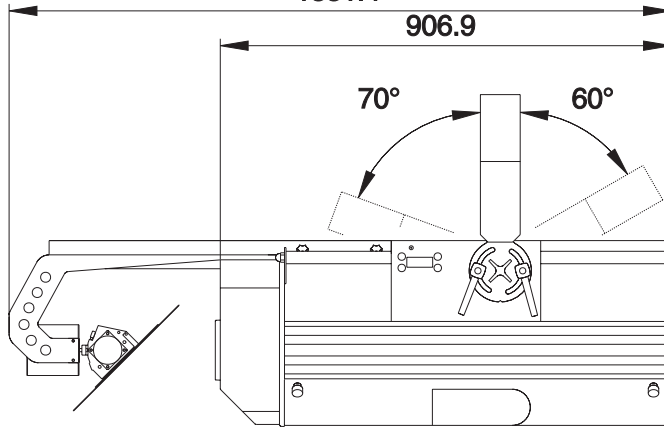


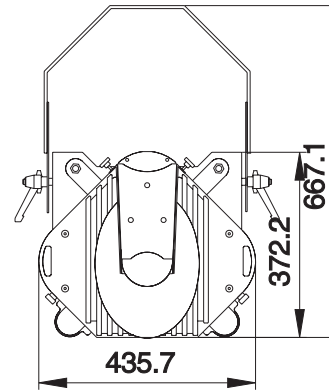
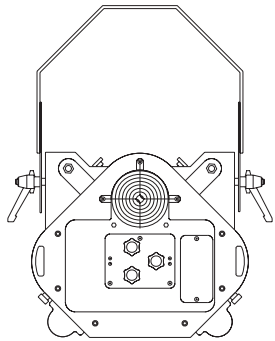
1331.4



906.9

70°

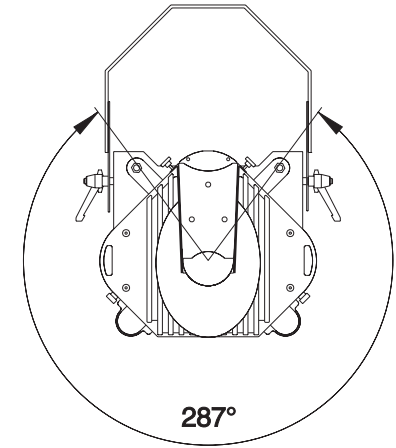
60°



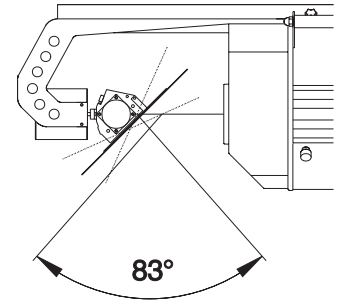
667.1

435.7

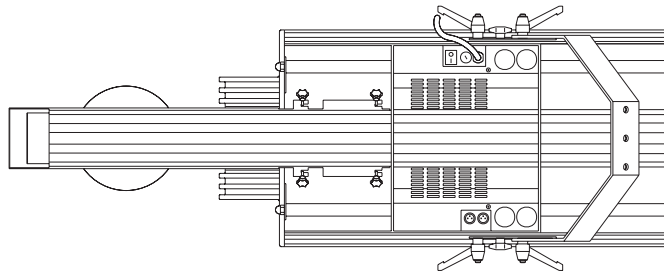
372.2



287°



83°



		Weight (kg)	
		61	
Product		Scale	Date
PAL 1200			03/09-97
Description		Sign.	
Dimensions in mm		NJR	
-----		P/N	
		911260	