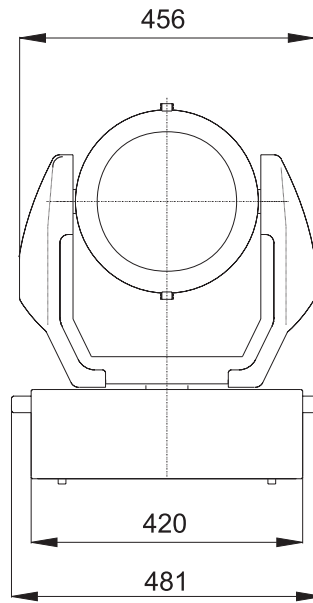


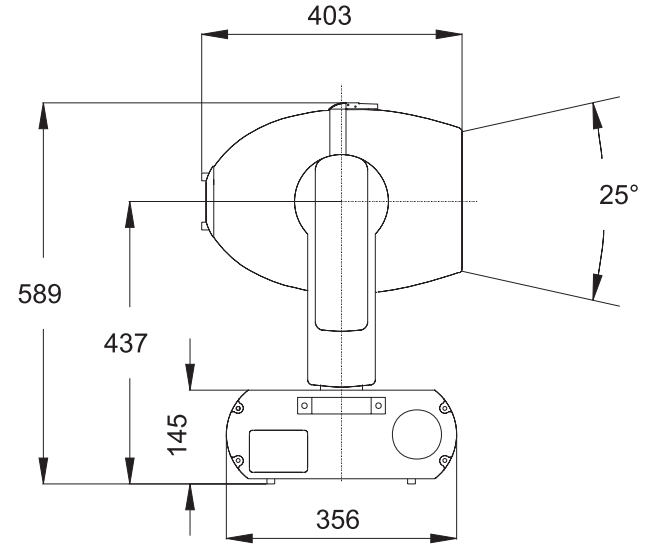
256



456

420

481



403

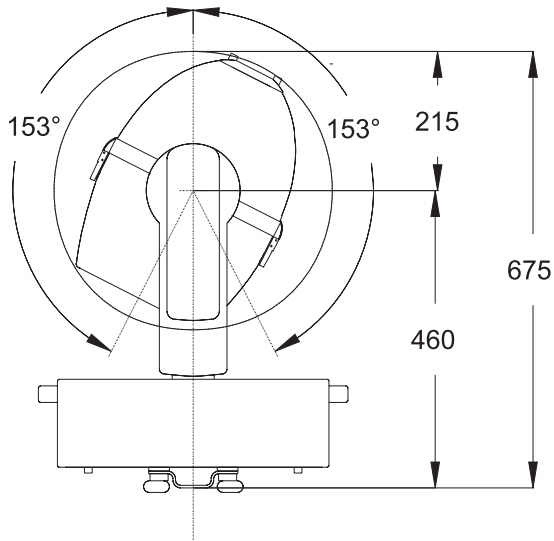
589

437

145

356

25°



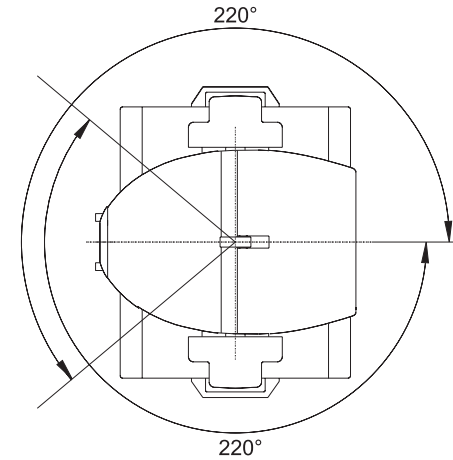
153°

153°

215

675

460



220°

220°

All dimensions in mm

Martin			
Product MAC 600	Scale ~	Date 3/11-97	Sign. NJR
Description Dimensions and placements			
of clamps		Stock Nr. 911-320	Revi. 00