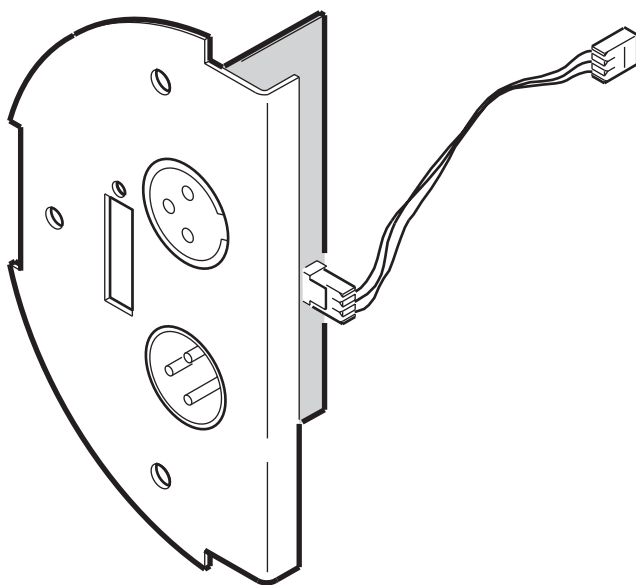


# Magnum 1500 DMX Interface Module

## Instruction Note



---

**Martin**

Magnum 1500 DMX Interface Module Instruction note: P/N 35010501, Rev. A  
©2005 Martin Professional A/S, Denmark.

# MAGNUM 1500 DMX INTERFACE MODULE

The Magnum 1500 can be controlled using a DMX controller on a serial data link if a DMX interface module is installed. This module is available separately as an optional accessory (DMX Interface Module, Magnum 1500, P/N 91612000).

Up to 32 devices can be controlled via DMX on one serial data link. The link must be daisy-chained in one single line, maximum 500 meters (1640 ft.) long. More devices can be added and the link can be extended beyond 500 meters or branched using an optically isolated splitter/amplifier such as the Martin RS-485 Opto-Splitter (P/N 90758060).

## DMX installation

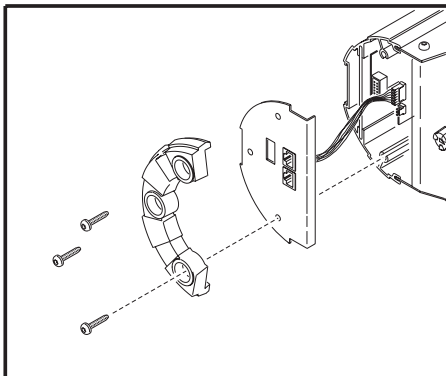
---

To use a DMX controller with the Magnum 1500, you must remove the remote control module that is fitted as standard and fit a DMX module in its place.

### Installing a DMX module

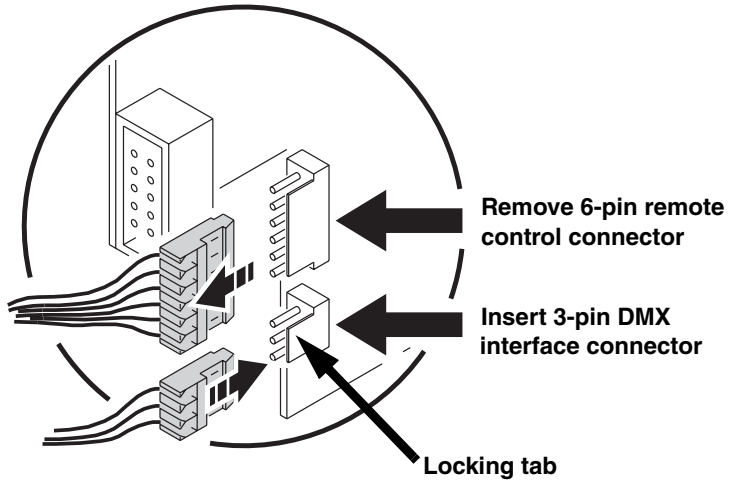
To install a DMX control module:

1. Disconnect the power supply cable and allow the machine to cool for at least 20 minutes.
2. Remove the three T25 Torx screws on the remote control connections module and remove the black rubber protection molding.



*Magnum 1500 DMX interface module*

3. Being careful to avoid straining any wires, pull the module gently outwards and to one side. Note the position of the module's wiring connector, with the wires facing away from the locking tab on the circuit board connector, and disconnect it from the 6-pin plug on the circuit board inside the housing. Then remove the module completely.



4. The DMX interface module has a 3-pin female wiring connector. This must be connected to the 3-pin male connector on the circuit board – *not* the 6-pin connector used by the remote control module (see illustration).
5. Hold the DMX module up to the housing and push the DMX interface connector in so that its wires face away from the locking tab on the circuit board connector. The locking ridge molded into the end of the DMX interface connector must face towards the locking tab on the circuit board connector. The wiring connector is an easy sliding fit. If you need to force it, you may be trying to insert it the wrong way round.





RD\_MJA  
27



RD\_MJA  
28 Magnum 1500 user manual