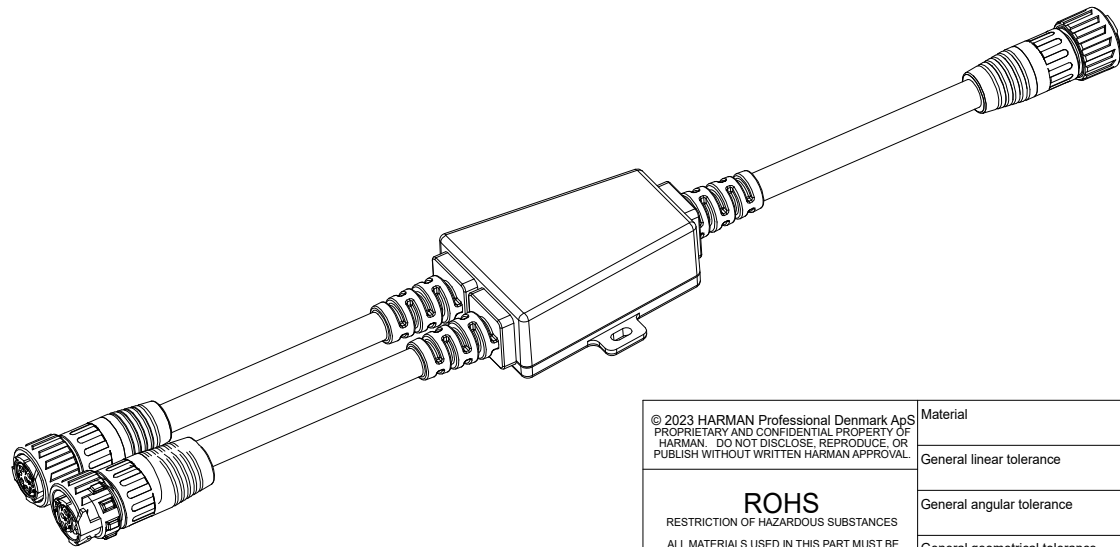
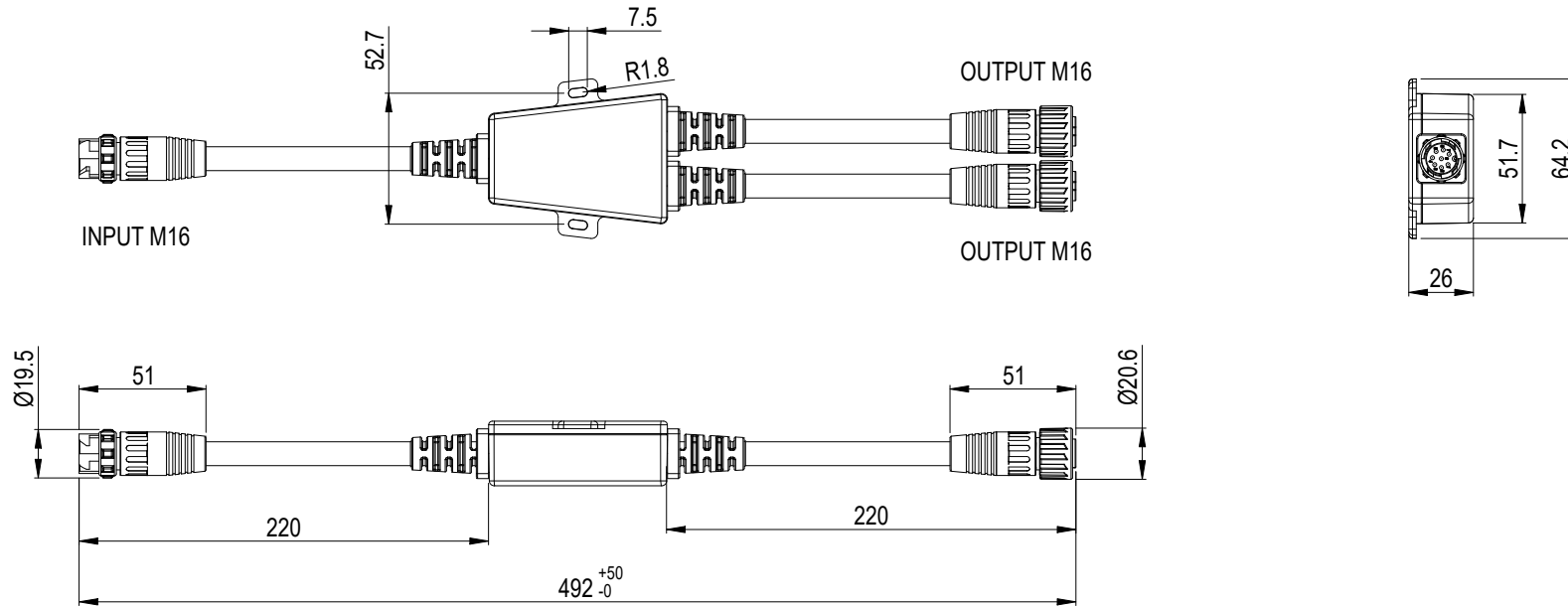


REVISION HISTORY

DATE	REV.	DESCRIPTION	BY
2025.12.09	B	Add weight	/

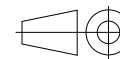


© 2023 HARMAN Professional Denmark ApS  
 PROPRIETARY AND CONFIDENTIAL PROPERTY OF  
 HARMAN. DO NOT DISCLOSE, REPRODUCE, OR  
 PUBLISH WITHOUT WRITTEN HARMAN APPROVAL.

**ROHS**  
 RESTRICTION OF HAZARDOUS SUBSTANCES  
 ALL MATERIALS USED IN THIS PART MUST BE  
 ROHS COMPLIANT.  
 SUPPLIER SHALL PROVIDE A CERTIFICATE OF  
 ROHS COMPLIANCE WITH THE FIRST ARTICLE.

Material	
General linear tolerance	
General angular tolerance	
General geometrical tolerance	
DIMENSIONS SHOWN ARE FOR REFERENCE AND INSPECTION ONLY. REFER TO CAD MODEL PROVIDED WITH THIS DRAWING FOR OVERALL DEFINITION OF PART GEOMETRY.	

FIRST ANGLE PROJECTION



Weight 0.26KG

Color

Project number

**Martin**

HARMAN Professional  
 Denmark ApS  
 Olof Palmes Allé 44  
 DK 8200 Aarhus N

TITLE ( Model in view )

Double string cable adapter

NO. MAR-90580024

REV B

SIZE A4	SCALE 1:1	UNIT mm	DO NOT SCALE DRAWING	SHEET 1 OF 1
---------	-----------	---------	----------------------	--------------