

EC™ Series LED Blocks Installation Guide



WARNING! Before installing an EC Series LED block, read “Safety Information” on page 3 of the EC Series Safety and Installation Guide supplied with EC Series flightcases and available for download free of charge from the Support pages for the products in the EC Series range on www.martin.com.

WARNING! Installation must be carried out by qualified professionals only. Contact your Martin supplier for assistance if you have any questions about how to install this product safely.

Important! Take care to avoid damage to LED blocks. Do not place panels LED-side down unless for service and on a soft, flat surface.

Video panels in the EC series use a modular LED block system that allows blocks to be removed and replaced for artistic or repair purposes. Blocks are hot-pluggable, so they can be replaced in a matter of seconds in the middle of a show, even if power is applied and a P3 signal is present.

LED blocks are supplied complete with a new O-ring on the connector.

Blocks are supplied as either Left or Right (as viewed from the front, audience side) units that are not interchangeable from one side to the other. Blocks are marked LEFT or RIGHT to identify them. Part numbers are as follows:

EC-10 Left-side (viewed from front) LED block, calibrated.	P/N 90354310
EC-10 Right-side (viewed from front) LED block, calibrated	P/N 90354300
EC-20 Left-side (viewed from front) LED block, calibrated.	P/N 90354280
EC-20 Right-side (viewed from front) LED block, calibrated	P/N 90354290

The procedure for replacing EC-10 and EC-20 Left and Right blocks is the same. To replace an LED block:

1. Use a 2.5 mm Allen key to loosen the three captive screws on the existing LED block. Loosen screws a little at a time, moving frequently from screw to screw to release the block evenly without stressing it.
2. Pull the module forwards to remove it from the panel.
3. Place the new LED block into position on the panel. Tighten the three screws gradually, moving each screw a little at a time and moving frequently from screw to screw to fasten the block in place evenly.

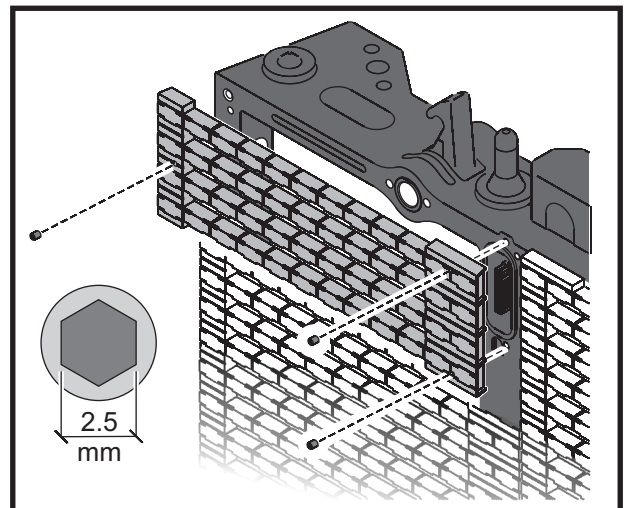


Figure 1: Replacing an LED block

All EC Series and P3 system controller user documentation is available for download free of charge from the Product Support area at www.martin.com.