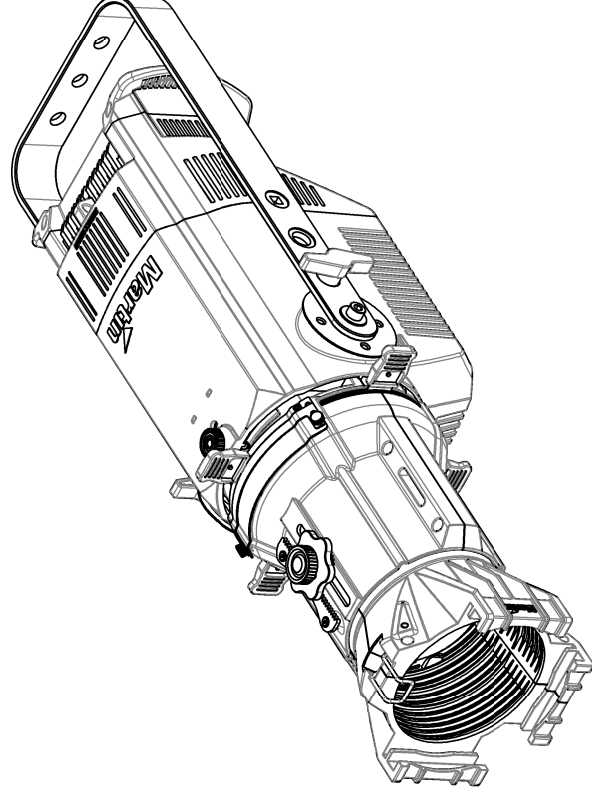
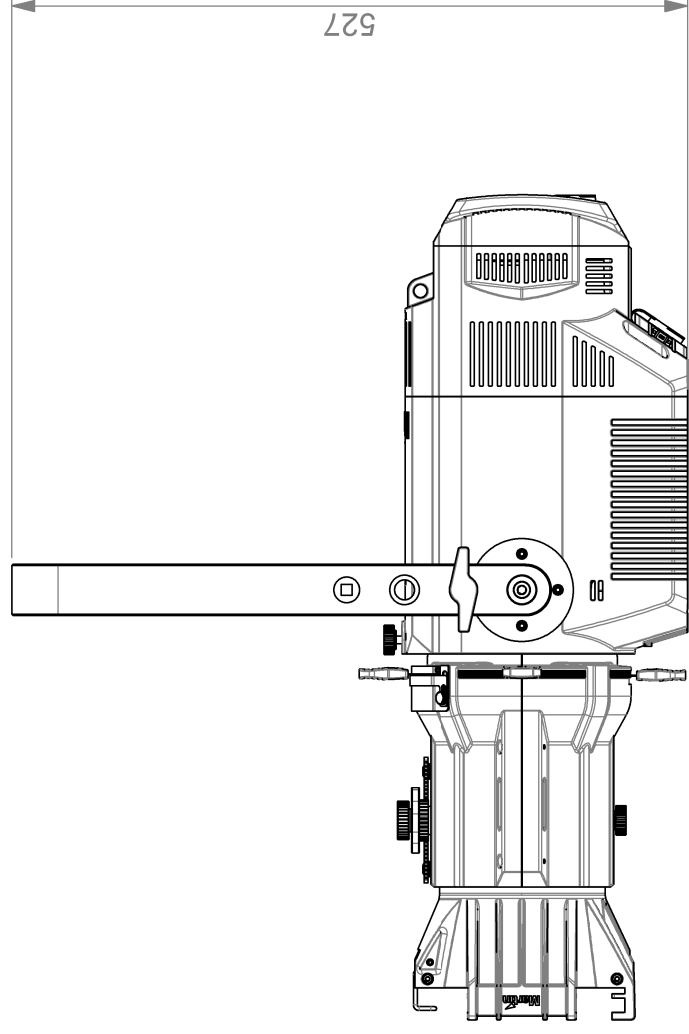
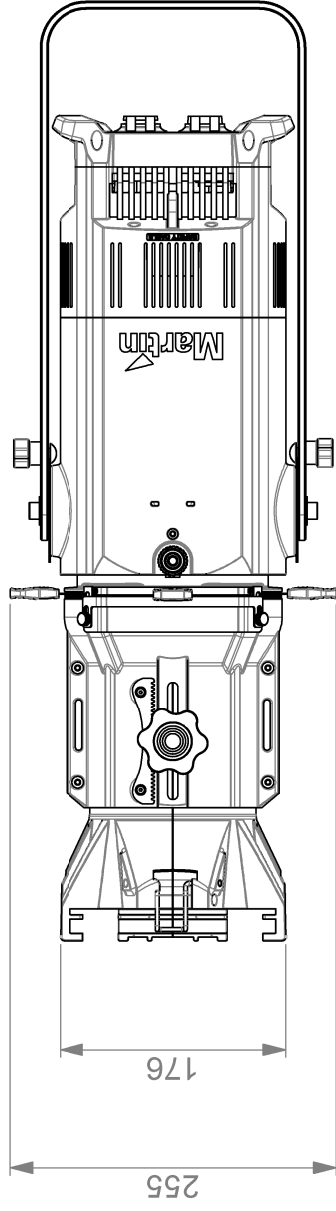
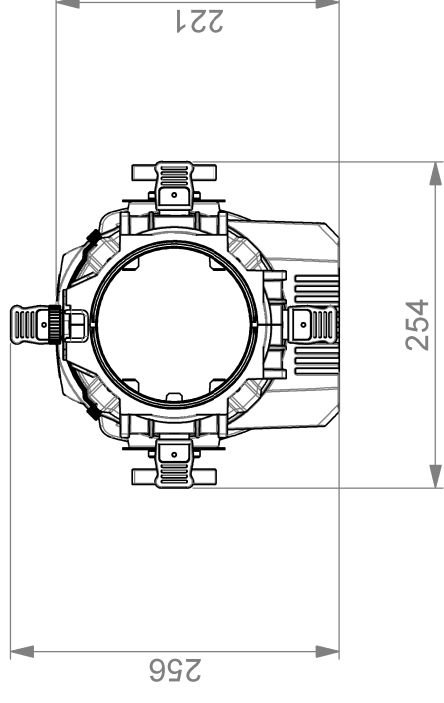
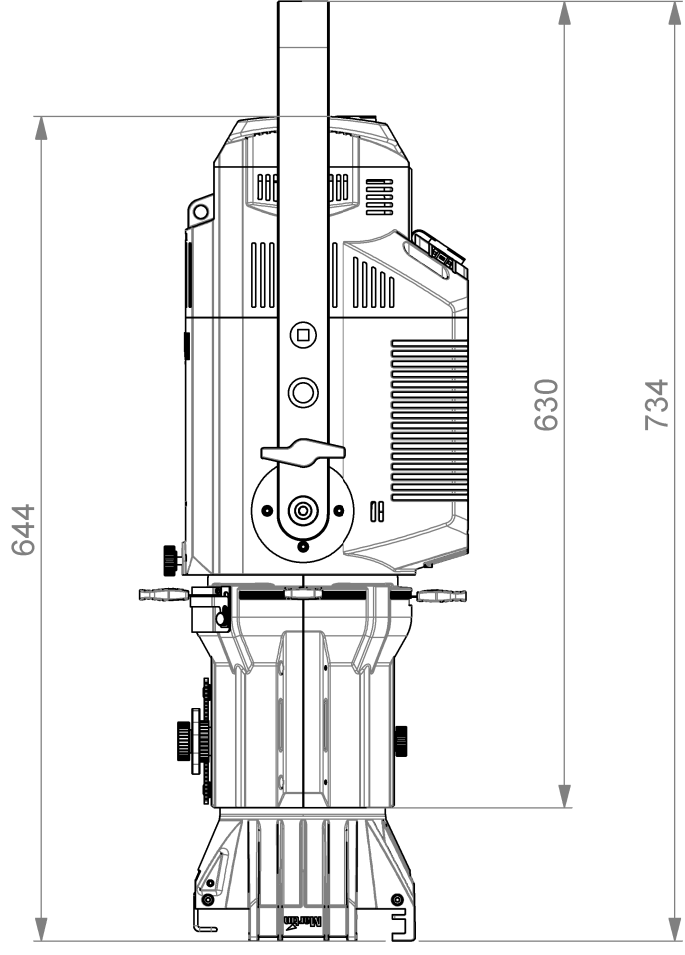


REVISION HISTORY

DATE	REV.	DESCRIPTION	BY
28.06.2020	A	First Release	JimL



<p>© 2020 HARMAN Professional Denmark. All rights reserved. PROPRIETARY AND CONFIDENTIAL PROPERTY OF HARMAN. ALL RIGHTS RESERVED. NO PART OF THIS PUBLICATION SHALL BE REPRODUCED OR TRANSMITTED IN ANY FORM OR BY ANY MEANS, WITHOUT WRITTEN HARMAN APPROVAL.</p>	<p>Material General linear tolerance General angular tolerance General geometrical tolerance</p>	<p>FIRST ANGLE PROJECTION Surface treatment Color Project number</p>	<p>HARMAN Professional Office: Palmvej 44 DK 8200 Aarhus N Martin HARMAN</p>
<p>ROHS RESTRICTION OF HAZARDOUS SUBSTANCES ALL MATERIALS USED IN THIS PART MUST BE ROHS COMPLIANT. SUPPLIER SHALL PROVIDE A CERTIFICATE OF ROHS COMPLIANCE WITH THE FIRST ARTICLE</p>	<p>DIMENSIONS SHOWN ARE FOR REFERENCE AND INSPECTION ONLY. REFER TO CAD MODEL PROVIDED WITH THIS DRAWING FOR OVERALL DEFINITION OF PART GEOMETRY.</p>	<p>NO. Project number</p>	<p>TITLE Martin ELP IP NO. REV SCALE A3 UNIT mm DO NOT SCALE DRAWING SHEET 1 OF 1</p>