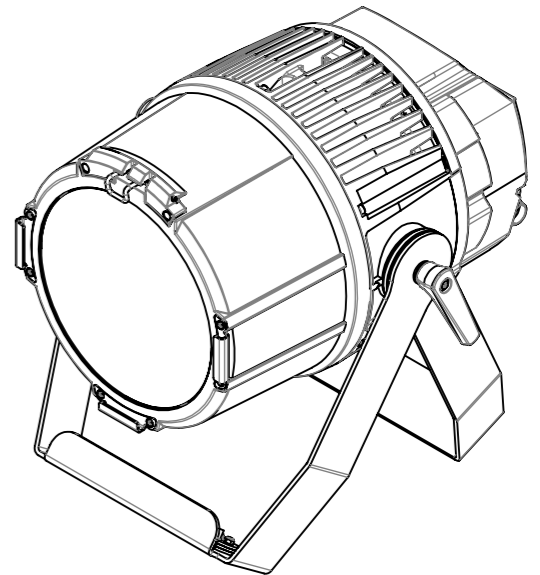
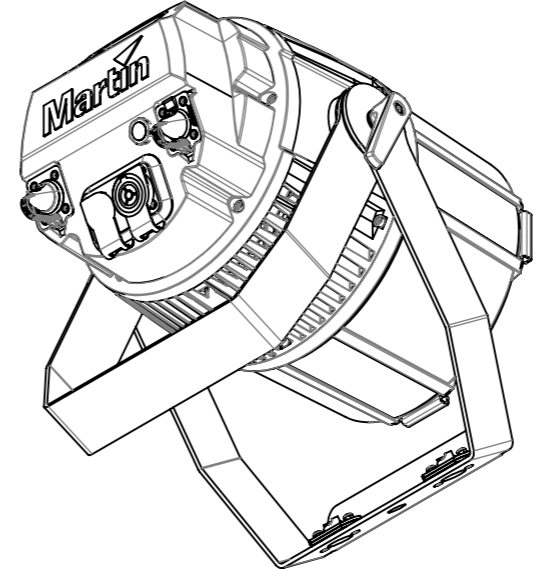
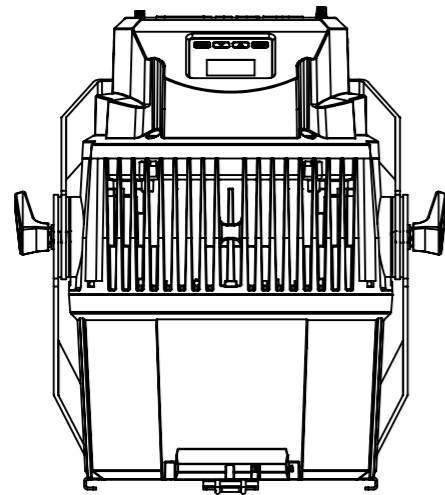
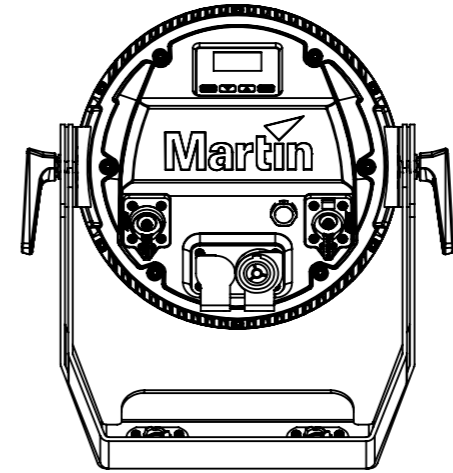
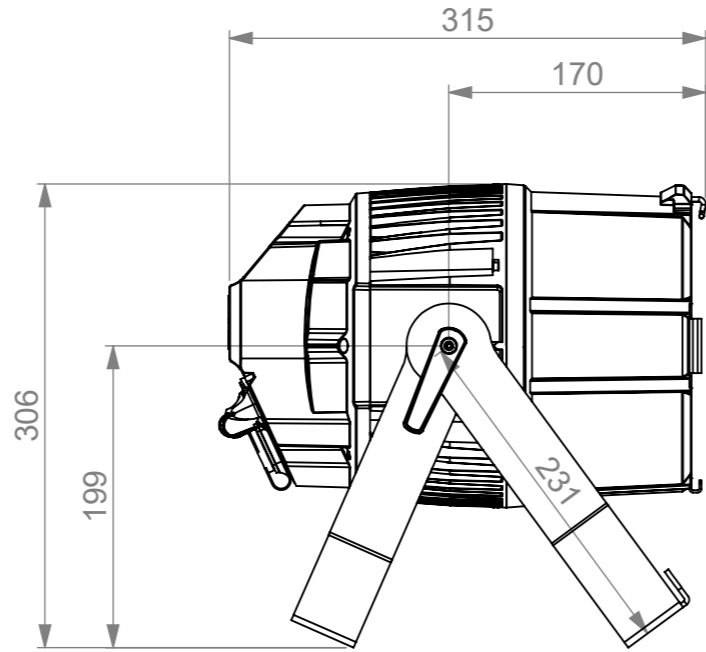
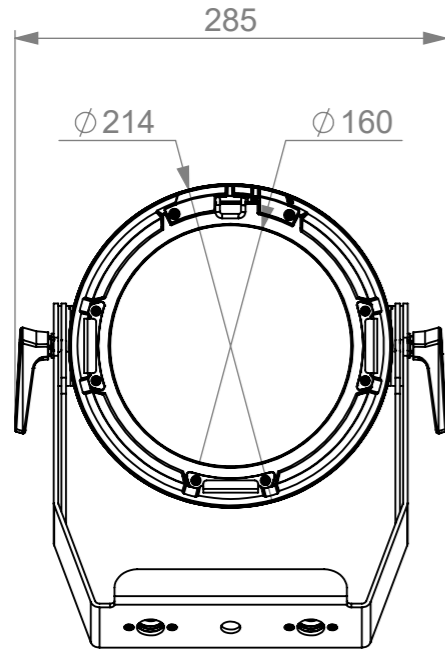


REVISION HISTORY			
DATE	REV.	DESCRIPTION	BY
22-07-2022	A	First release	LTousgaard



[MS 11445 General Technical Specification] - apply to this item

ROHS RESTRICTION OF HAZARDOUS SUBSTANCES ALL MATERIALS USED IN THIS PART MUST BE ROHS COMPLIANT. SUPPLIER SHALL PROVIDE A CERTIFICATE OF ROHS COMPLIANCE WITH THE FIRST ARTICLE.	DIMENSIONS SHOWN ARE FOR REFERENCE AND INSPECTION ONLY. REFER TO CAD MODEL PROVIDED WITH THIS DRAWING FOR OVERALL DEFINITION OF PART GEOMETRY.	FIRST ANGLE PROJECTION	HARMAN				
	Material	Surface treatment	TITLE (Model in view zj-y41101-00-00-γ-η_A_asm) ELP PAR IP				
2022 © HARMAN INTERNATIONAL INDUSTRIES, INCORPORATED. ALL RIGHTS RESERVED. DO NOT USE, DISCLOSE, SELL, REPRODUCE, PUBLISH OR MODIFY WITHOUT AUTHORIZED WRITTEN HARMAN PERMISSION.	General linear tolerance	Color	NO. REV				
	General angular tolerance	Comments	SIZE A3	SCALE 1:5	UNIT mm	DO NOT SCALE DRAWING	SHEET OF 1 1