

# ELP WW

## WARM WHITE LED ELLIPSOIDAL LIGHT FIXTURE

SPEC SHEET



### HIGHLIGHTS

- **Impressive light output**  
Output rating of 7,000 lumens at 3000K
- **Superior CRI rating**  
Industry-leading CRI rating of 97
- **Revolutionary focus and functionality**  
Industry's first gear-driven Fine Focus, Fast Focus for data-free focusing and more
- **Compatible with universal accessories**  
Use industry standard lens tubes, gel frames, gobo holders and rotators

### OVERVIEW

Martin ELP WW (Warm White) LED ellipsoid fixtures deliver class-leading luminance, output and superb light quality. Ergonomic Danish engineering offers advances in lighting functionality that include the easy-to-use gear-based Fine Focus—an industry first—and on-board Fast Focus, which allows focusing of the fixture without the need of DMX data. ELP also offers 16-bit dimming with 4 selectable curves.

ELP fixtures can be configured in black or white with one of four Martin fixed lens tubes (19°, 26°, 36° or 50° beam angles) or one of two Martin zoom lens tubes (15–30° or 25–50° beam angles). ELP fixtures are also compatible with third-party lens tubes and a wide range of accessories, including gel frames and gobos for flexibility in lighting design and inventory management.

Superior output, optics and quality, combined with unparalleled ease-of-use and convenience, make Martin ELP the leading LED ellipsoidal fixtures in their class.

### KEY MESSAGES

#### ADVANCED MARTIN OPTICS

Martin ELP ellipsoids feature optic assemblies designed in Denmark by the technology innovators behind MAC Encore, the leading LED moving light. The ELP is designed to maximize efficiency and deliver a flat field of illumination for smoother blending and mixing between fixtures.

#### CUTTING-EDGE LED TECHNOLOGY

ELP WW delivers 7,000 lumens of output and an industry-leading 97 CRI at 3000K color temperature, for the truest color representation on any surface. ELP ellipsoids also offer flicker-free operation for consistent light output—on and off camera—and 16-bit dimming with 4 selectable curves.

#### FOCUS ON FUNCTIONALITY

ELP takes a classic light fixture to new performance levels with a suite of innovative features. Our gear-based Fine Focus adjustment—an industry first—lets you lock focus exactly where you want it, instantly.

There's no refocusing, no drifting and no slipping. Our innovative Fast Focus feature brings the fixture to full output for 60 seconds without data running to the fixture. Halation color correction removes atypical blue and brown halos when using Martin lens tubes.

#### ERGONOMIC DESIGN

Danish engineering is all about efficiency and ergonomics, and the subtle details of ELP are no exception: We've placed the center of gravity as close to the yoke as possible, for more comfortable operation. And, we've placed tilt knobs out of the way of framing shutters, to allow quick, easy position adjustments.

#### INVEST IN THE FUTURE, WITH A MINIMAL FINANCIAL INVESTMENT

It has never been easier to transition your inventory to LED ellipsoids. In addition to the six lens tube configurations available through Martin, the ELP line fits common third-party lens tubes and accessories—which means you can save money by using your existing gel frames, gobo holders and rotators and lens tubes.

# ELP WW

## WARM WHITE LED ELLIPSOIDAL LIGHT FIXTURE

SPEC SHEET

### FEATURES

- Warm White 3000K ellipsoidal fixture based on 91 LEDs
- Flat, even field
- Outputs 7000 lumens
- CRI rating of 97
- Flicker-free operation with adjustable Pulse Width Modulation
- 16-bit dimming with 4 selectable curves
- Gear-driven Fine Focus for one-hand operation
- On-board Fast Focus for focusing without the need of DMX data
- On-board stand-alone programming with up to 20 scenes
- Up to 9 fixtures can be linked via PowerCon Thru connector
- High-resolution OLED display for easy on-board setting and configuration
- Four available Martin fixed lens tubes (19°, 26°, 36° and 50° beam angles) and two available Martin zoom lens tubes (15–30° and 25–50° beam angles)
- Compatible with universal accessories—use existing lens tubes, gel frames, gobo holders and rotators



### ORDERING INFORMATION

#### BODY & LENS TUBES

- |  |                |
|--|----------------|
| • Martin ELP WW (Body Only):               | P/N 9045107781 |
| • Martin ELP WW (Body Only), White:        | P/N 9045115165 |
| • Martin ELP Lens Tube 19°:                | P/N 9045107782 |
| • Martin ELP Lens Tube 19°, White:         | P/N 9045115166 |
| • Martin ELP Lens Tube 26°:                | P/N 9045107783 |
| • Martin ELP Lens Tube 26°, White:         | P/N 9045115167 |
| • Martin ELP Lens Tube 36°:                | P/N 9045107784 |
| • Martin ELP Lens Tube 36°, White:         | P/N 9045115168 |
| • Martin ELP Lens Tube 50°:                | P/N 9045107785 |
| • Martin ELP Lens Tube 50°, White:         | P/N 9045115170 |
| • Martin ELP Zoom Lens Tube 15–30°:        | P/N 9045121618 |
| • Martin ELP Zoom Lens Tube 15–30°, White: | P/N 9045122108 |
| • Martin ELP Zoom Lens Tube 25–50°:        | P/N 9045121619 |
| • Martin ELP Zoom Lens Tube 25–50°, White: | P/N 9045122109 |

#### RELATED ITEMS

- |                            |              |
|----------------------------|--------------|
| • Martin RDM 5.5 Splitter: | P/N 90758150 |
| • Martin Companion Cable:  | P/N 91616091 |

#### ACCESSORIES

##### Cables (16 A, for connection to power in chains):

- |  |              |
|--|--------------|
| • Power input cable, H07RN-F, 2.5 mm <sup>2</sup> , 14 AWG, bare ends to Neutrik TRUE1 NAC3FX-W (female), 1.5 m (4.9 ft.): | P/N 91611797 |
| • Power input cable, H07RN-F, 2.5 mm <sup>2</sup> , 14 AWG, bare ends to Neutrik TRUE1 NAC3FX-W (female), 5 m (16.4 ft.):  | P/N 91611786 |
| • Link Cable, H07RN-F Neutrik TRUE1-TRUE1 0.45 m (1.5 ft.):  | P/N 91611784 |
| • Link Cable, H07RN-F Neutrik TRUE1-TRUE1 1.2 m (3.9 ft.):   | P/N 91611785 |
| • Link Cable, H07RN-F Neutrik TRUE1-TRUE1 2.5 m (8.2 ft.):   | P/N 91611796 |

#### Power Connectors

- |   |              |
|---|--------------|
| • Neutrik PowerCON TRUE1 NAC3MX-W (male):   | P/N 91611788 |
| • Neutrik PowerCON TRUE1 NAC3FX-W (female): | P/N 91611789 |

# ELP WW

## WARM WHITE LED ELLIPSOIDAL LIGHT FIXTURE

SPEC SHEET

### TECHNICAL SPECIFICATIONS

#### DYNAMIC EFFECTS

Electronic dimming	0–100%
Strobe and pulse effect	Variable speed and action, random strobe
Electronic 'shutter' effect	Instant open and blackout
Electronic dimming	Four dimming curve options

#### CONTROL AND PROGRAMMING

DMX channels	1/2/4
16-bit control	Intensity
Control options	DMX, stand-alone
PWM	600–2400 Hz
Setting and addressing	Control panel with OLED display or via RDM
Stand-alone programming	Control panel with OLED display
DMX compliance	USITT DMX512-A
RDM compliance	ANSI/ESTA E1.20
Transceiver	Opto-isolated RS-485

#### OPTICS

Light source	91 x 3W warm white LEDs
Color temperature	3000K
Fixed Lens Tube Options	19°, 26°, 36° and 50°
Zoom Lens Tube Options	15–30° and 25–50°
Minimum LED lifetime	30 000 hours (to >70% luminous output)*

\*Figure obtained under manufacturer's test conditions

#### PHOTOMETRIC DATA

Light engine luminous output	16000 lumen
Fixture luminous output	7000 lumen
CRI (Color Rendering Index)	>97
CQS (Color Quality Scale)	>93
TM-30 Rf (IES TM-30-15 Fidelity Index)	>93
TM-30 Rg (IES TM-30-15 Gamut Index)	>101
TLCI (Television Lighting Consistency Index)	>96

#### CONSTRUCTION

Color(s)	Black or white variant
Housing	Die-cast aluminum
Protection rating	IP20

#### GOBOS AND COLOR FRAME

Gobo size	A size, 100 mm OD, 75 mm ID*
Gobo size	B size, 86 mm OD, 64.5 mm ID*
Color frame size	159 x 159 mm [6.25 x 6.25 in.]

\*gobo holder not included

#### INSTALLATION

Mounting	Adjustable bracket
Location	Indoor use only
Orientation	Any
Minimum distance to combustible materials	0.2 m [0.7 ft.]
Minimum distance to illuminated surfaces	0.5 m [1.6 ft.]

#### CONNECTIONS

AC power in/thru	Neutrik PowerCON TRUE1
DMX and RDM data in/thru	5-pin locking XLR

#### ELECTRICAL

AC power	100–240 V nominal, 50/60 Hz
Power supply unit	Auto-ranging electronic switch-mode
Idle power (zero intensity)	5 W
Half-cycle RMS inrush current at 230 V, 50 Hz	15.3 A
Fixture link via PowerCON at 100–120 V	Up to 4 fixtures
Fixture link via PowerCON at 200–240 V	Up to 9 fixtures

Power consumption figures are typical, not maximum. Allow for +/- 10% variation.

#### TYPICAL POWER AND CURRENT

110 V, 60 Hz	2.6 A, 280 W, PF 0.99
208 V, 60 Hz	1.4 A, 270 W, PF 0.97
230 V, 50 Hz	1.2 A, 269 W, PF 0.96
240 V, 50 Hz	1.2 A, 268 W, PF 0.96

Measurements made at nominal voltage with all LEDs at full intensity. Allow for a deviation of +/- 10%.

#### THERMAL

Cooling	Forced air [temperature-regulated, low noise]
Maximum ambient temperature (Ta max.)	40° C [104° F]
Minimum ambient temperature (Ta min.)	0° C [32° F]
Total heat dissipation [calculated, +/- 10%, at full intensity, full white]:	1000 BTU/hr.

#### APPROVALS

EU safety	EN 60598-2-17 [EN 60598-1], EN 62471, EN 62493
EU EMC	EN 55015; EN 55032; EN 55103-2; EN 61000-3-2,-3; EN 61547
US safety	UL 1573
US EMC	FCC Part 15 Class B
Canadian safety	CSA C22.2 No. 166
Canadian EMC	ICES-003 Class B, ICES-005 Class B
Australia/NZ	RCM

#### INCLUDED ITEMS

Power input cable [0.75mm <sup>2</sup> , 18 AWG], bare ends to Neutrik TRUE1 NAC3FX-W (female), 1.5 m [4.9 ft.]
Mounting bracket
User manual



# ELP WW

## WARM WHITE LED ELLIPSOIDAL LIGHT FIXTURE

SPEC SHEET

### FIXED LENS PROJECTION DATA

#### 19° LENS TUBE



Center beam intensity: 84231 candela

Distance meter (ft.)	4 (13.1)	6 (19.7)	8 (26.2)	10 (32.8)	12 (39.4)	14 (45.9)	16 (52.5)	18 (59)	20 (65.6)
Field-angle diameter meter (ft.)	1.5 (4.79)	2.2 (7.2)	2.9 (9.6)	3.7 (12.0)	4.4 (14.4)	5.1 (16.8)	5.8 (19.2)	6.6 (21.6)	7.3 (24.0)
Center illuminance (lux)	5264	2340	1316	842	585	430	329	260	211
Center illuminance (candela)	489	217	122	78	54	40	31	24	20

For field diameter at any distance, multiply distance by 0.37

#### 26° LENS TUBE



Center beam intensity: 58114 candela

Distance meter (ft.)	4 (13.1)	6 (19.7)	8 (26.2)	10 (32.8)	12 (39.4)	14 (45.9)	16 (52.5)	18 (59)	20 (65.6)
Field-angle diameter meter (ft.)	1.8 (5.9)	2.7 (8.8)	3.6 (11.7)	4.5 (14.7)	5.4 (17.6)	6.3 (20.5)	7.2 (23.5)	8.0 (26.4)	8.9 (29.3)
Center illuminance (lux)	3632	1614	908	581	404	297	227	179	145
Center illuminance (candela)	337	150	84	54	37	28	21	17	13

For field diameter at any distance, multiply distance by 0.45

#### 36° LENS TUBE



Center beam intensity: 29444 candela

Distance meter (ft.)	4 (13.1)	6 (19.7)	8 (26.2)	10 (32.8)	12 (39.4)	14 (45.9)	16 (52.5)	18 (59)	20 (65.6)
Field-angle diameter meter (ft.)	2.6 (8.4)	3.9 (12.6)	5.1 (16.9)	6.4 (21.1)	7.7 (25.3)	9.0 (29.5)	10.3 (33.7)	11.6 (37.9)	12.8 (42.1)
Center illuminance (lux)	1840	818	460	294	204	150	115	91	74
Center illuminance (candela)	171	76	43	27	19	14	11	8	7

For field diameter at any distance, multiply distance by 0.64

#### 50° LENS TUBE



Center beam intensity: 13947 candela

Distance meter (ft.)	4 (13.1)	6 (19.7)	8 (26.2)	10 (32.8)	12 (39.4)	14 (45.9)	16 (52.5)	18 (59)	20 (65.6)
Field-angle diameter meter (ft.)	3.9 (12.8)	5.8 (19.2)	7.8 (25.5)	9.7 (31.9)	11.7 (38.3)	13.6 (44.7)	15.6 (51.1)	17.5 (57.5)	19.5 (57.5)
Center illuminance (lux)	872	387	218	139	97	71	54	43	43
Center illuminance (candela)	81	36	20	13	9	7	5	4	4

For field diameter at any distance, multiply distance by 0.97

For center illuminance at any distance, divide center beam intensity with distance in square (meter for lux, feet for candela)

# ELP WW

## WARM WHITE LED ELLIPSOIDAL LIGHT FIXTURE

SPEC SHEET

### ZOOM LENS PROJECTION DATA (15–30°)

#### 15–30° ZOOM LENS TUBE



#### NARROW BEAM

Center beam intensity: 108890 candela

Distance meter (ft.)	4 (13.1)	6 (19.7)	8 (26.2)	10 (32.8)	12 (39.4)	14 (45.9)	16 (52.5)	18 (59)	20 (65.6)
Field-angle diameter meter (ft.)	1.2 (3.93)	1.8 (5.91)	2.4 (7.86)	3 (9.84)	3.6 (11.82)	4.2 (13.77)	4.8 (15.75)	5.4 (17.7)	6 (19.68)
Center illuminance (lux)	6806	3025	1707	1089	756	556	425	336	272
Center illuminance (candela)	632	281	158	101	70	52	40	31	25

For field diameter at any distance, multiply distance by 0.3

#### 15–30° ZOOM LENS TUBE



#### MEDIUM BEAM

Center beam intensity: 61912 candela

Distance meter (ft.)	4 (13.1)	6 (19.7)	8 (26.2)	10 (32.8)	12 (39.4)	14 (45.9)	16 (52.5)	18 (59)	20 (65.6)
Field-angle diameter meter (ft.)	1.6 (5.24)	2.4 (7.88)	3.2 (10.48)	4 (13.12)	4.8 (15.76)	5.6 (18.36)	6.4 (21)	7.2 (23.6)	8 (26.24)
Center illuminance (lux)	3869	1720	967	619	430	316	242	191	155
Center illuminance (candela)	360	160	90	58	40	29	23	18	14

For field diameter at any distance, multiply distance by 0.4

#### 15–30° ZOOM LENS TUBE



#### WIDE BEAM

Center beam intensity: 39550 candela

Distance meter (ft.)	4 (13.1)	6 (19.7)	8 (26.2)	10 (32.8)	12 (39.4)	14 (45.9)	16 (52.5)	18 (59)	20 (65.6)
Field-angle diameter meter (ft.)	2 (6.55)	3 (9.85)	4 (13.1)	5 (16.4)	6 (19.7)	7 (22.95)	8 (26.25)	9 (29.5)	10 (32.8)
Center illuminance (lux)	2472	1099	618	395	275	202	154	122	99
Center illuminance (candela)	230	102	57	37	26	19	14	11	9

For field diameter at any distance, multiply distance by 0.5

For center illuminance at any distance, divide center beam intensity with distance in square (meter for lux, feet for candela)

# ELP WW

## WARM WHITE LED ELLIPSOIDAL LIGHT FIXTURE

SPEC SHEET

### ZOOM LENS PROJECTION DATA (25–50°)

#### 25–50° ZOOM LENS TUBE



#### NARROW BEAM

Center beam intensity: 62561 candela

Distance meter (ft.)	4 (13.1)	6 (19.7)	8 (26.2)	10 (32.8)	12 (39.4)	14 (45.9)	16 (52.5)	18 (59)	20 (65.6)
Field-angle diameter meter (ft.)	1.6 (5.24)	2.4 (7.88)	3.2 (10.48)	4 (13.12)	4.8 (15.76)	5.6 (18.36)	6.4 (21)	7.2 (23.6)	8 (26.24)
Center illuminance (lux)	3910	1738	978	626	434	319	244	193	156
Center illuminance (candela)	363	161	91	58	40	30	23	18	15

For field diameter at any distance, multiply distance by 0.4

#### 25–50° ZOOM LENS TUBE



#### MEDIUM BEAM

Center beam intensity: 40507 candela

Distance meter (ft.)	4 (13.1)	6 (19.7)	8 (26.2)	10 (32.8)	12 (39.4)	14 (45.9)	16 (52.5)	18 (59)	20 (65.6)
Field-angle diameter meter (ft.)	2 (6.55)	3 (9.85)	4 (13.1)	5 (16.4)	6 (19.7)	7 (22.95)	8 (26.25)	9 (29.5)	10 (32.8)
Center illuminance (lux)	2532	1125	633	405	281	207	158	125	101
Center illuminance (candela)	235	105	59	38	26	19	15	12	9

For field diameter at any distance, multiply distance by 0.5

#### 25–50° ZOOM LENS TUBE



#### WIDE BEAM

Center beam intensity: 23981 candela

Distance meter (ft.)	4 (13.1)	6 (19.7)	8 (26.2)	10 (32.8)	12 (39.4)	14 (45.9)	16 (52.5)	18 (59)	20 (65.6)
Field-angle diameter meter (ft.)	2.8 (9.17)	4.2 (13.79)	5.6 (18.34)	7 (22.96)	8.4 (27.58)	9.8 (32.13)	11.2 (36.75)	12.6 (41.3)	14 (45.92)
Center illuminance (lux)	1499	666	375	240	167	122	94	74	60
Center illuminance (candela)	139	62	35	22	16	11	9	7	6

For field diameter at any distance, multiply distance by 0.7

For center illuminance at any distance, divide center beam intensity with distance in square (meter for lux, feet for candela)

# ELP WW

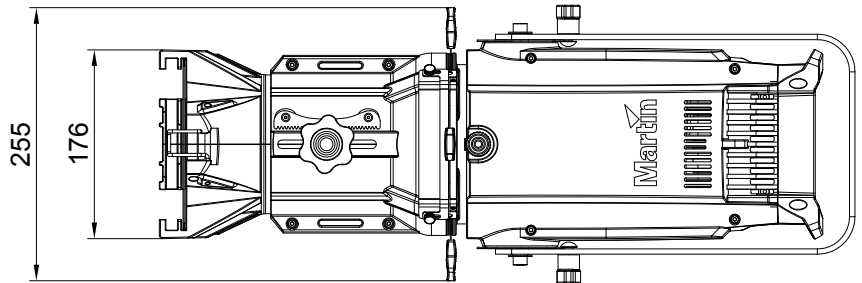
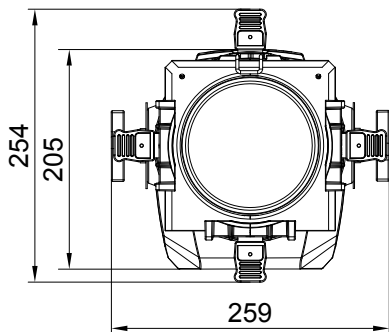
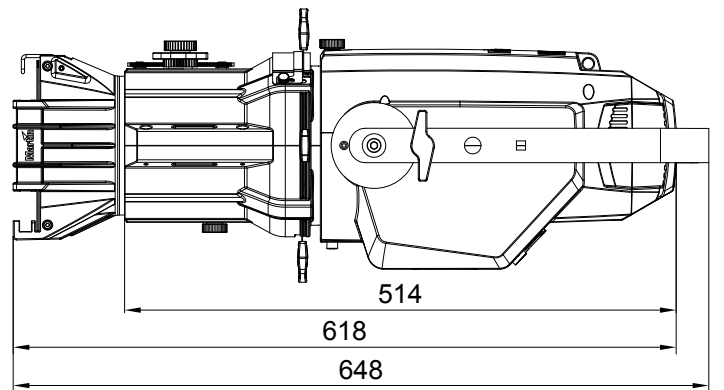
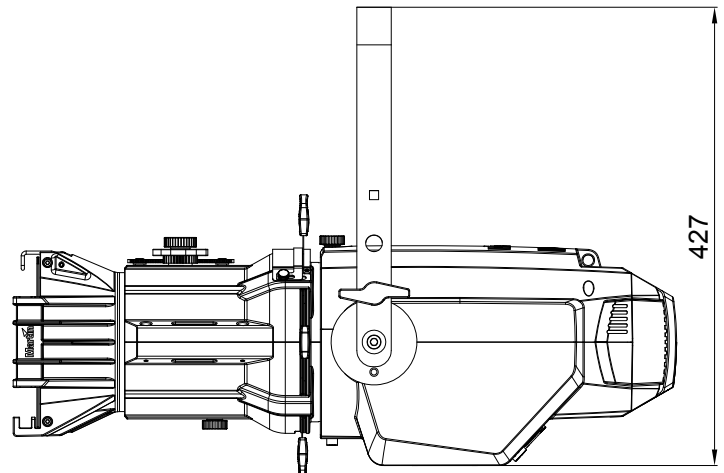
## WARM WHITE LED ELLIPSOIDAL LIGHT FIXTURE

SPEC SHEET

### DIMENSIONS (BODY & FIXED LENSES)

#### PHYSICAL

Length..... 648 mm (25.5 in.)  
Width..... 259 mm (10.2 in.)  
Height..... 254 mm (10 in.)  
Weight..... 7.7 kg (17 lb)



All measurements in mm

# ELP WW

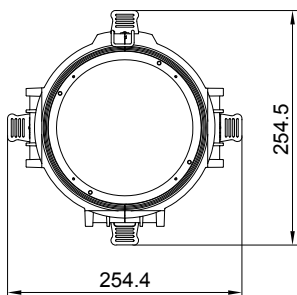
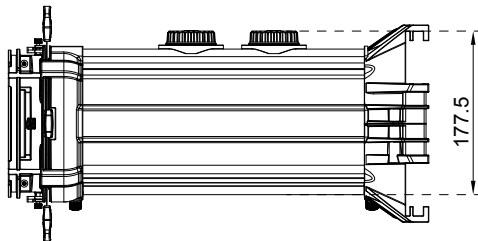
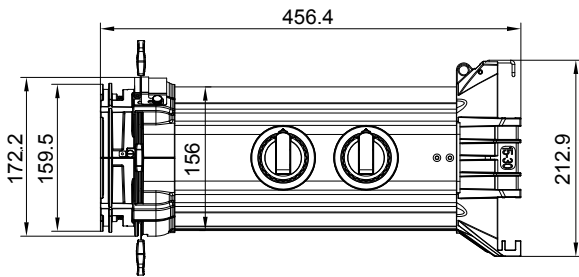
## WARM WHITE LED ELLIPSOIDAL LIGHT FIXTURE

SPEC SHEET

### DIMENSIONS (ZOOM LENSES)

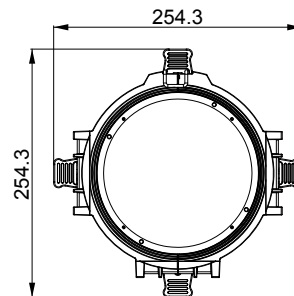
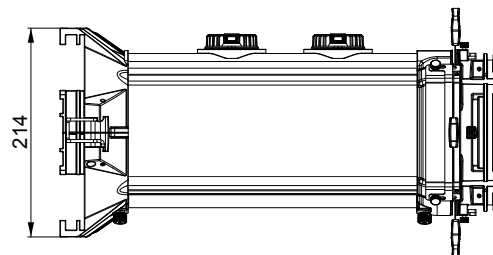
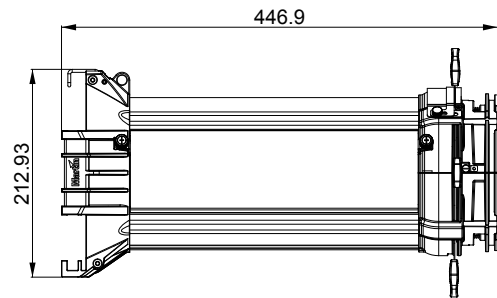
#### PHYSICAL (15–30° ZOOM LENS)

Length.....	456.4 mm (17.96 in.)
Width.....	254.4 mm (10.02 in.)
Height.....	254.5 mm (10.02 in.)
Weight.....	6 kg (13.2 lb)



#### PHYSICAL (25–50° ZOOM LENS)

Length.....	446.9 mm (17.6 in.)
Width.....	254.3 mm (10.01 in.)
Height.....	254.3 mm (10.01 in.)
Weight.....	6 kg (13.2 lb)



All measurements in mm