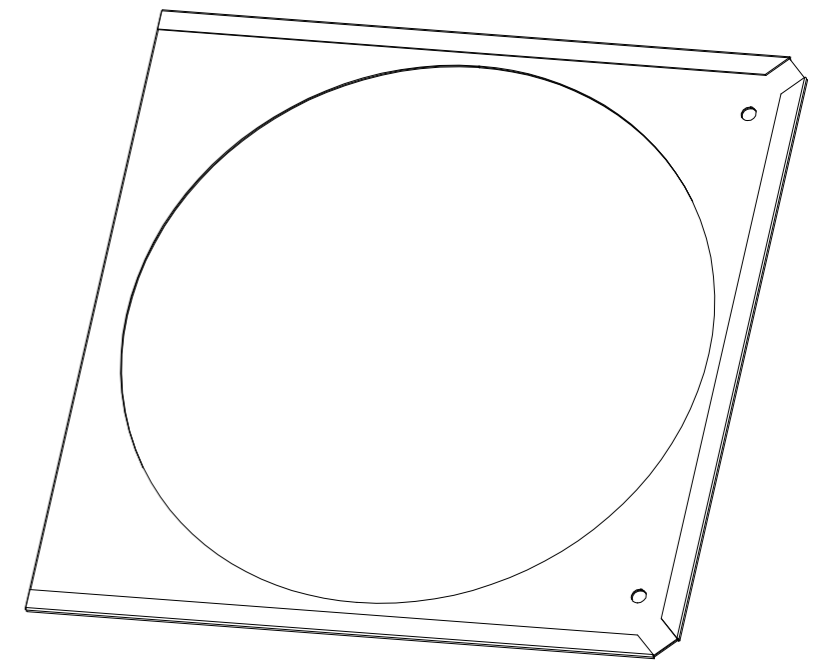
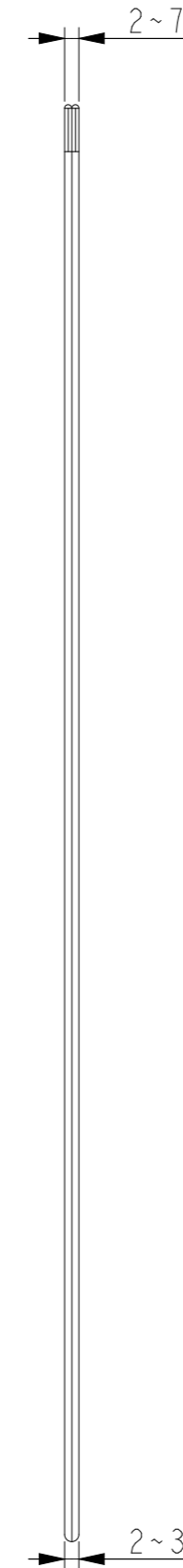
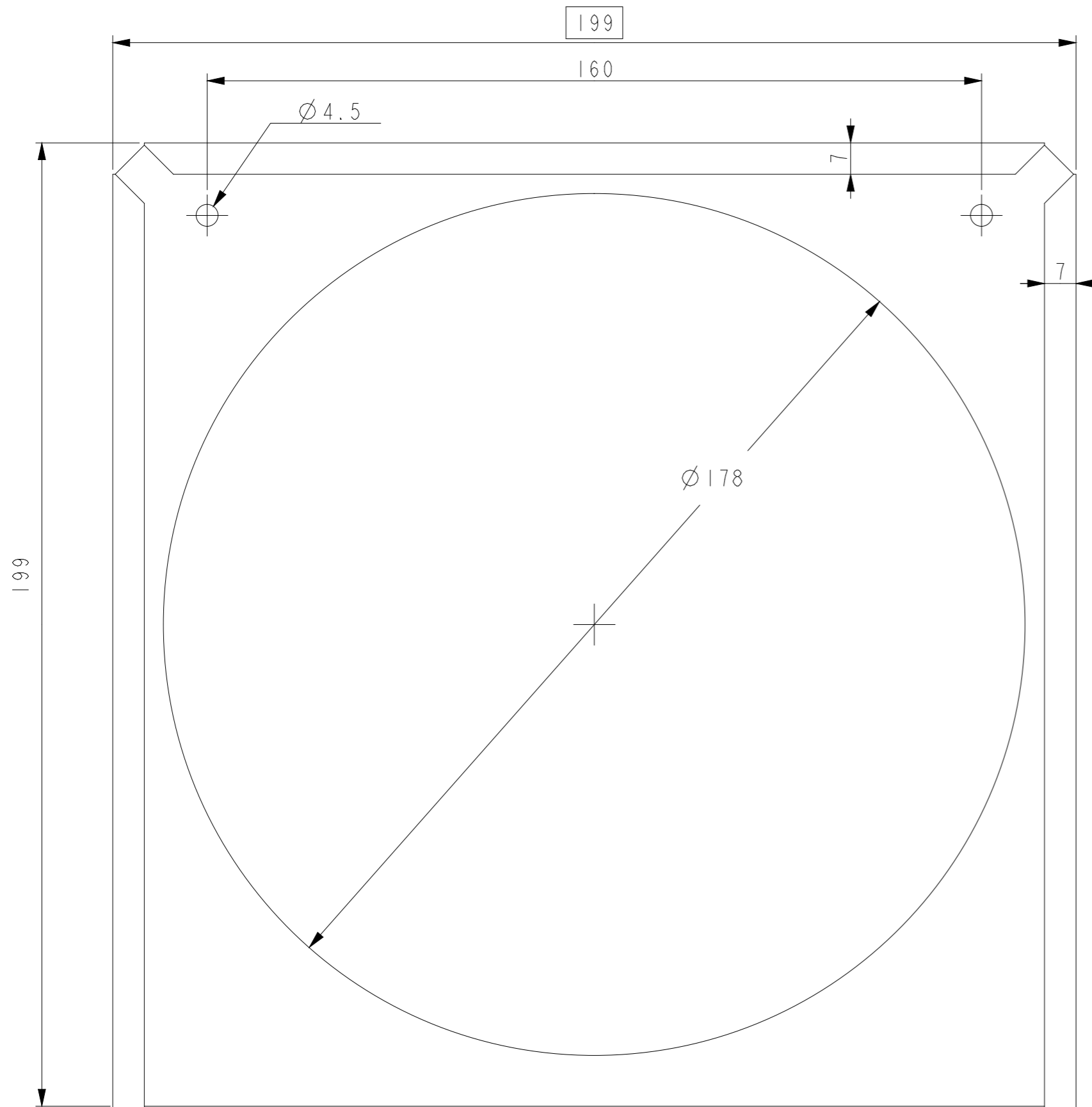



REVISION HISTORY

DATE	REV.	DESCRIPTION	BY
08-07-2020	A	First release	RyJiang



[MS 11445 General Technical Specification] - apply to this item

© 2020 HARMAN Professional Denmark ApS PROPRIETARY AND CONFIDENTIAL PROPERTY OF HARMAN. DO NOT DISCLOSE, REPRODUCE, OR PUBLISH WITHOUT WRITTEN HARMAN APPROVAL.	Material: 304 stainless steel 0.5mm	FIRST ANGLE PROJECTION 	HARMAN HARMAN Professional Denmark ApS Oluf Palmes Allé 44 DK 8200 Aarhus N				
	General linear tolerance: +05/-0.5			TITLE (Model in view) HDW,GR, GEL FRAME			
ROHS RESTRICTION OF HAZARDOUS SUBSTANCES ALL MATERIALS USED IN THIS PART MUST BE ROHS COMPLIANT. SUPPLIER SHALL PROVIDE A CERTIFICATE OF ROHS COMPLIANCE WITH THE FIRST ARTICLE.	General angular tolerance	Surface treatment: matte black	NO.5129620-00				
	General geometrical tolerance	Color: black	Project number	REV A			
DIMENSIONS SHOWN ARE FOR REFERENCE AND INSPECTION ONLY. REFER TO CAD MODEL PROVIDED WITH THIS DRAWING FOR OVERALL DEFINITION OF PART GEOMETRY.		SIZE A3	SCALE 1:1	UNIT mm	DO NOT SCALE DRAWING	SHEET 1	OF 1