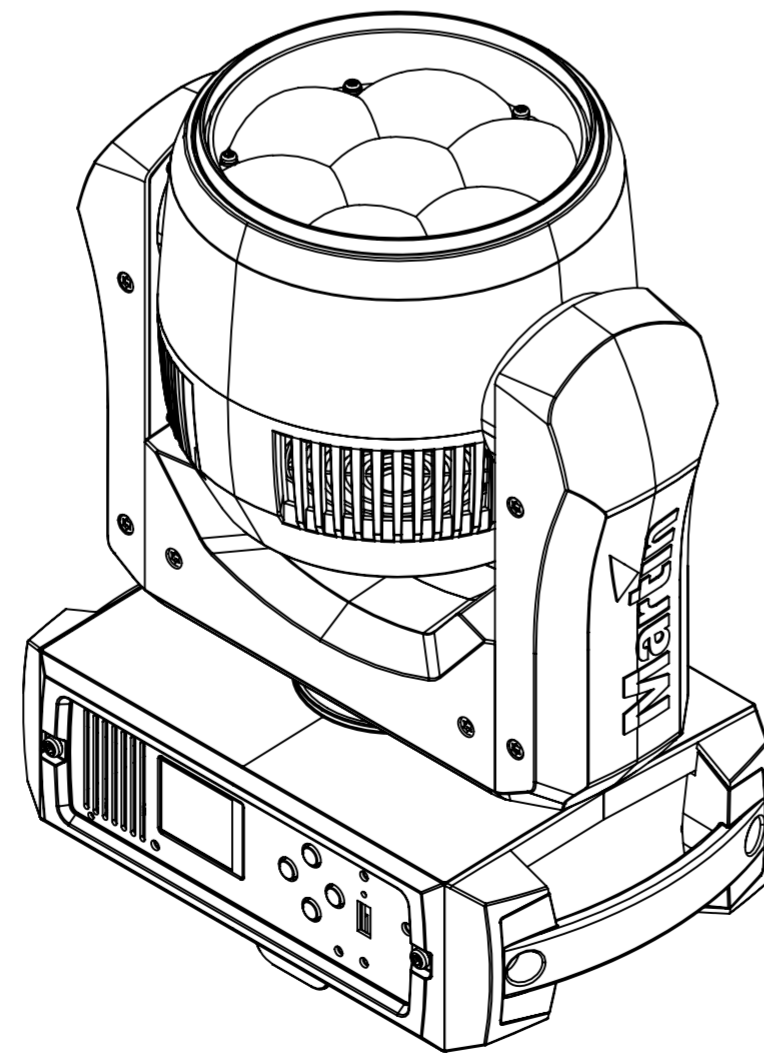
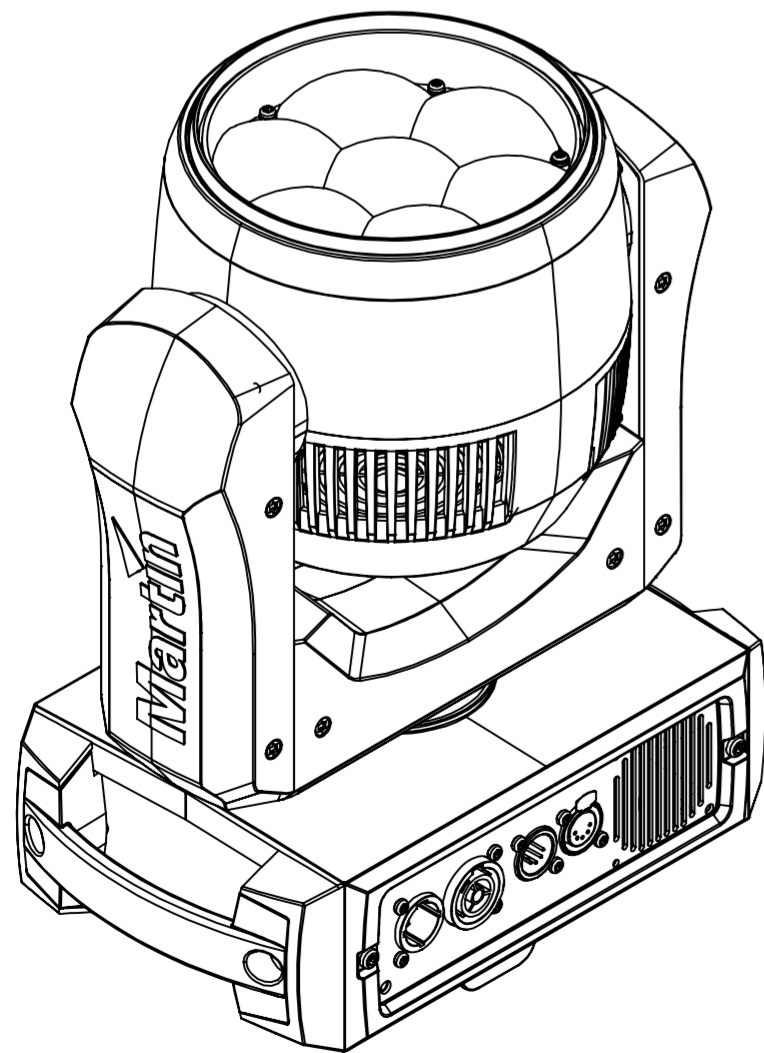
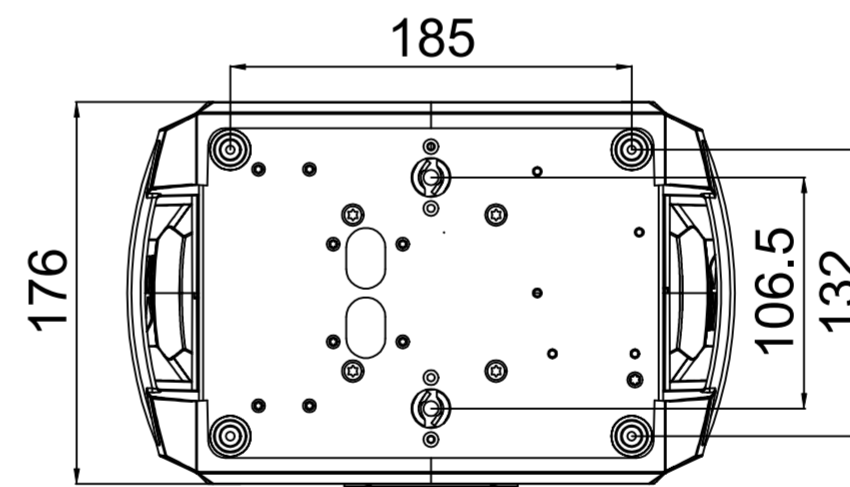
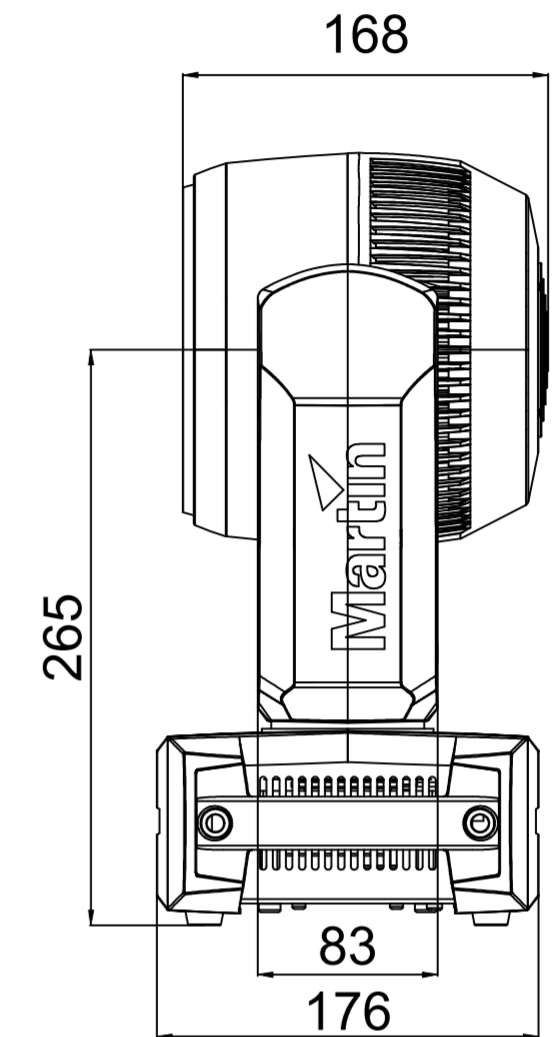
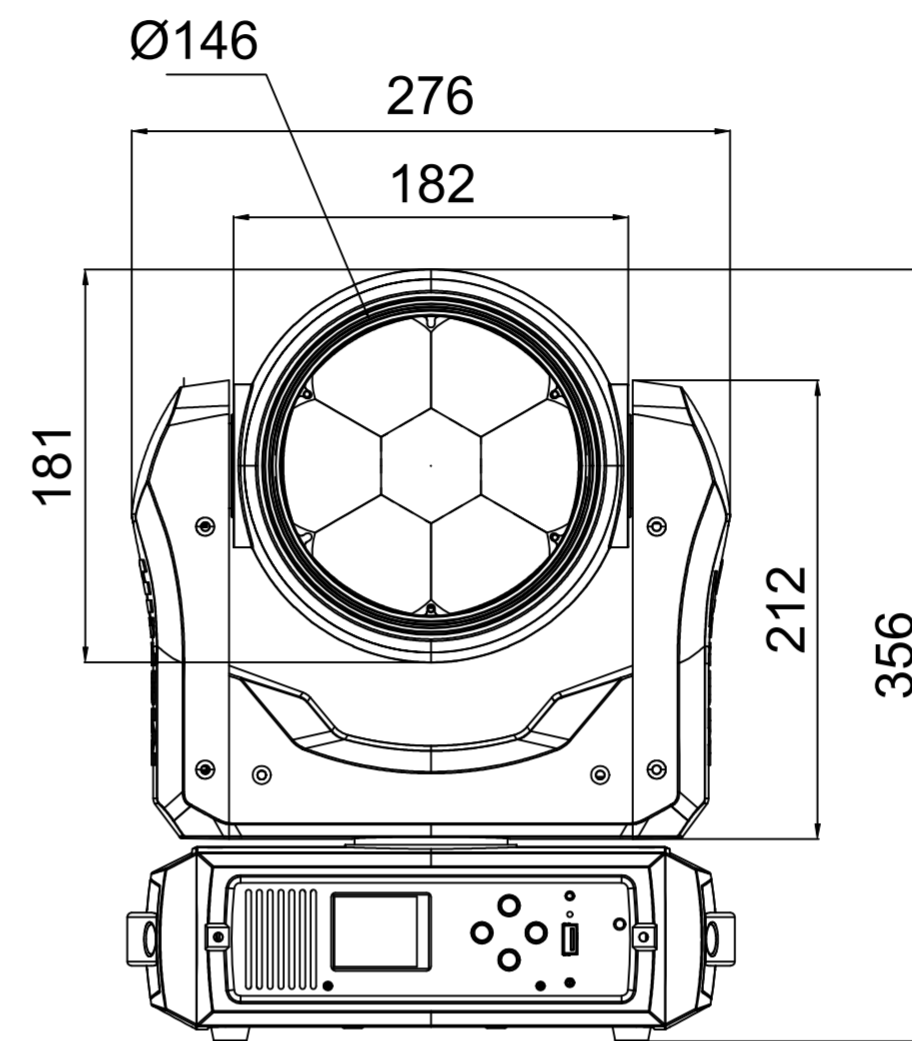
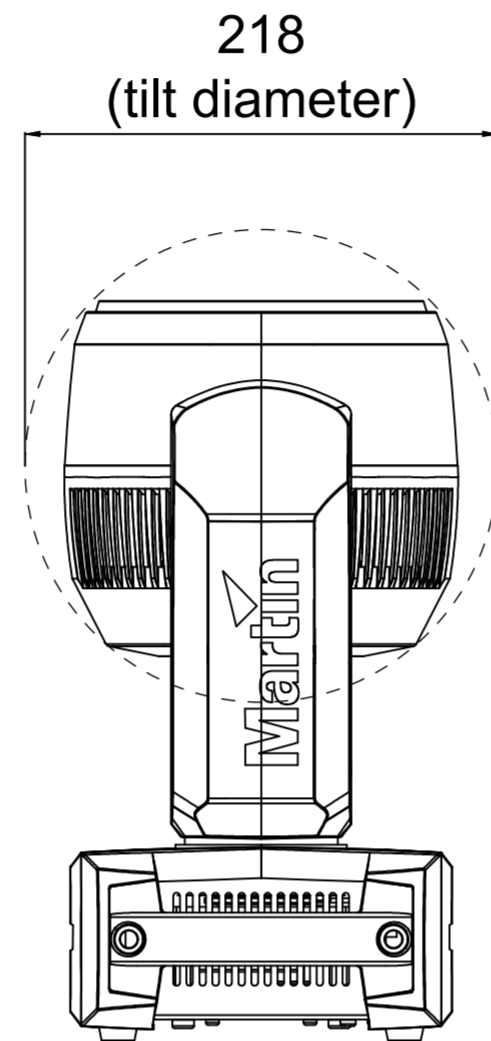
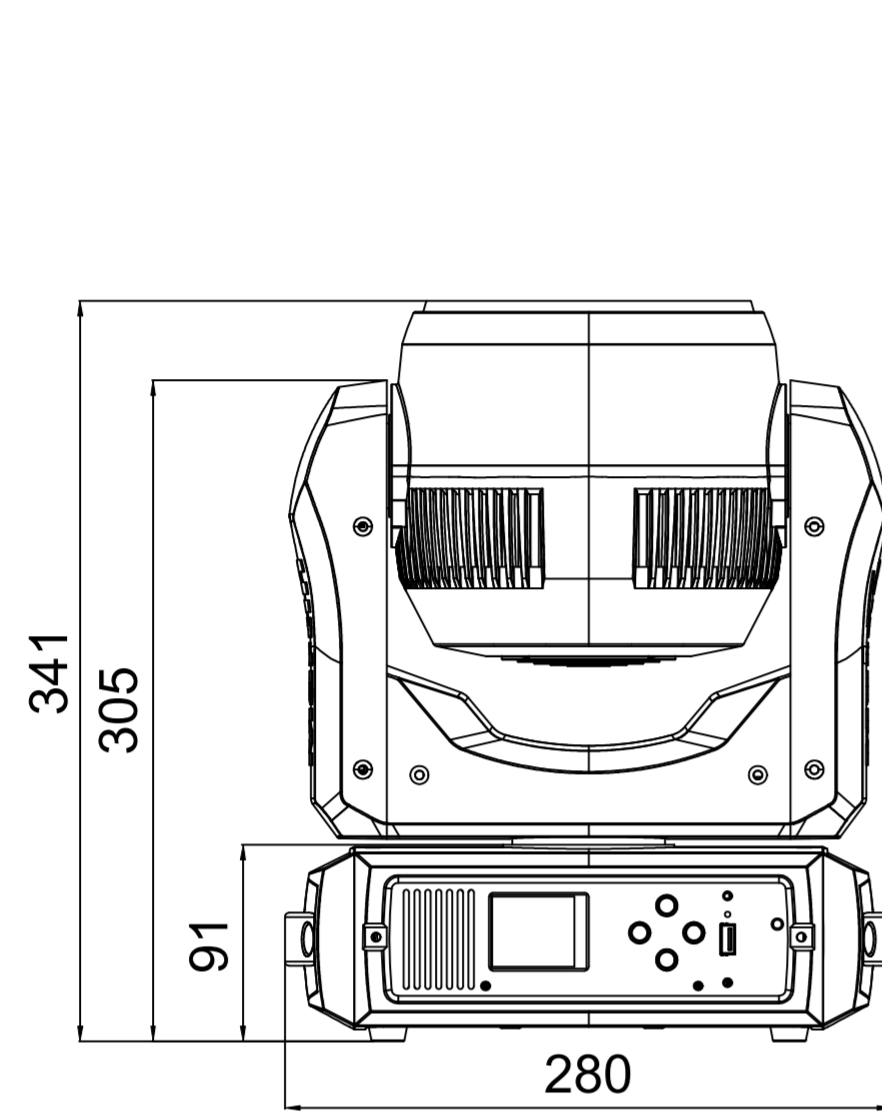
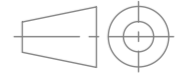



REVISION HISTORY			
DATE	REV.	DESCRIPTION	BY
20-04-2022	A	First release	LTousgaard



© 2021 HARMAN Professional Denmark ApS PROPRIETARY AND CONFIDENTIAL PROPERTY OF HARMAN. DO NOT DISCLOSE, REPRODUCE, OR PUBLISH WITHOUT WRITTEN HARMAN APPROVAL.	Material	FIRST ANGLE PROJECTION 		HARMAN Professional Denmark ApS Olof Palmes Allé 44 DK 8200 Aarhus N			
	General linear tolerance			Surface treatment	TITLE ERA 150 Wash		
ROHS RESTRICTION OF HAZARDOUS SUBSTANCES ALL MATERIALS USED IN THIS PART MUST BE ROHS COMPLIANT. SUPPLIER SHALL PROVIDE A CERTIFICATE OF ROHS COMPLIANCE WITH THE FIRST ARTICLE.	General angular tolerance	Color	NO. _____ REV _____				
	General geometrical tolerance	Project number	SIZE	SCALE	UNIT	DO NOT SCALE DRAWING	SHEET OF
	DIMENSIONS SHOWN ARE FOR REFERENCE AND INSPECTION ONLY. REFER TO CAD MODEL PROVIDED WITH THIS DRAWING FOR OVERALL DEFINITION OF PART GEOMETRY.		A2	-	mm		1