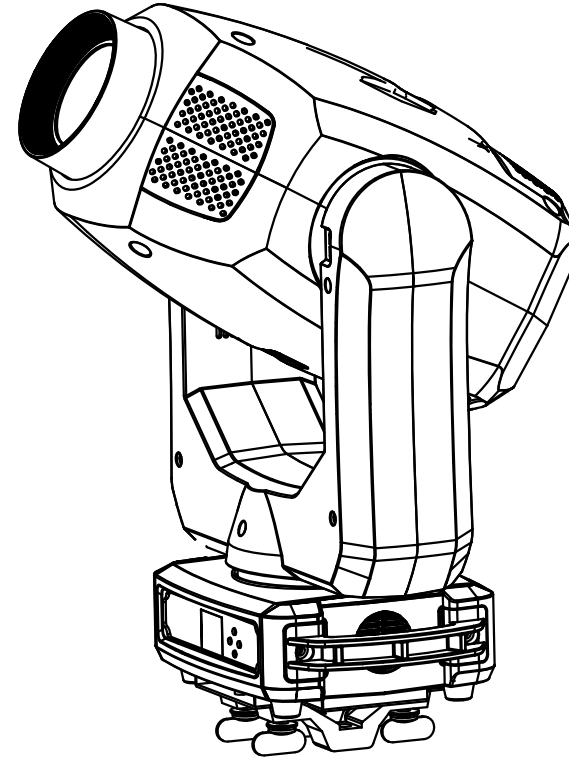
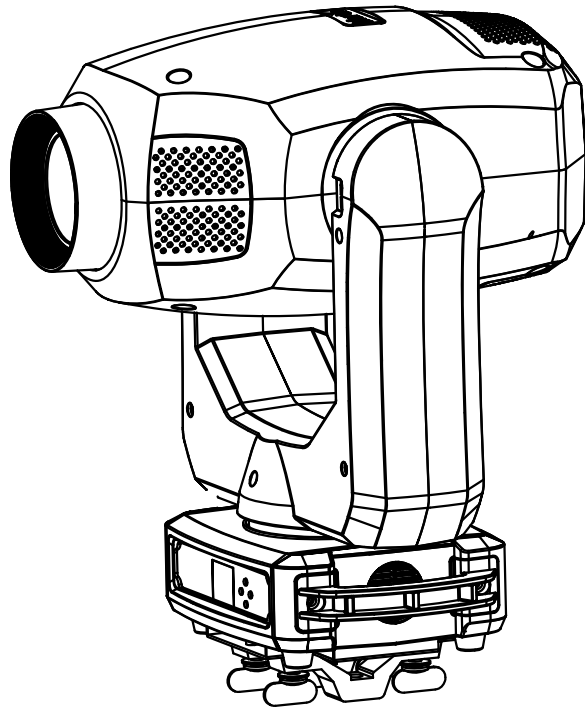


REVISION HISTORY

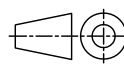
DATE	REV.	DESCRIPTION	BY
2019/10/17	A	First release	




©2019 HARMAN Professional Denmark ApS  
 PROPRIETARY AND CONFIDENTIAL PROPERTY OF  
 HARMAN. DO NOT DISCLOSE, REPRODUCE, OR  
 PUBLISH WITHOUT WRITTEN HARMAN APPROVAL.

**ROHS**  
 RESTRICTION OF HAZARDOUS SUBSTANCES  
 ALL MATERIALS USED IN THIS PART MUST BE  
 ROHS COMPLIANT.

SUPPLIER SHALL PROVIDE A CERTIFICATE OF  
 ROHS COMPLIANCE WITH THE FIRST ARTICLE.

Material	FIRST ANGLE PROJECTION 
General linear tolerance	
General angular tolerance	Surface treatment
General geometrical tolerance	Color
DIMENSIONS SHOWN ARE FOR REFERENCE AND INSPECTION ONLY. REFER TO CAD MODEL PROVIDED WITH THIS DRAWING FOR OVERALL DEFINITION OF PART GEOMETRY.	

ND.	
SIZE	A4
SCALE	1:7
UNIT	mm
DO NOT SCALE DRAWING	

		HARMAN Professional Denmark ApS Ølaf Palmes Allé 44 DK 8200 Aarhus N	
TITLE ( Model in view )			
<b>ERA 400 Performance</b>			
REV		REV	
SHEET	1	OF	1

General Technical Specification apply to this item