

EXTERIOR AC-FEEDER

MULTI-PROTOCOL, LINE-VOLTAGE DRIVER FOR EXTERIOR DOT -1/4/9 PRO

SPEC SHEET



OVERVIEW

The **Martin Exterior AC-Feeder** is a smart, multi-protocol driver box for the **Exterior Dot-1/4/9 Pro** series. A compact design and IP66 rating make it perfectly suited for direct line voltage installations of Exterior Dot-1/4/9 Pro strings. The **Exterior AC-Feeder** provides the string with clean, regulated power and allows for a simple system layout with minimal number of required system components.

Unifying unparalleled performance, adaptability, and intuitive operation, the Exterior Dot Pro family doesn't just enable lighting designers and professionals to surpass the limitations of traditional systems, it inspires them to redefine the boundaries of creative video design.

KEY MESSAGES

MULTIPLE CONTROL OPTIONS

Exterior AC-Feeder simplifies control by integrating industry standard Art-NET and sACN control protocols, or Martin's award-winning P3 control protocol. A smart, stand-alone mode via Martin Companion is also included. These control options provide maximum flexibility to system designers and integrators.

SIMPLE YET ROBUST INFRASTRUCTURE

Exterior AC-Feeder utilizes a simple, yet robust flexible infrastructure offering direct line-voltage and Ethernet connections for long daisy-chains and high quantity of dots. Moreover, the AC-Feeder half-power mode allow for double the quantity of dots for simpler infrastructure and enhanced energy savings.

HIGHLY ERGONOMIC INSTALLATION

The **Exterior AC-Feeder** does not require any local configuration or setup. It features a local status indication LEDs and a test button, for local diagnostics and test even without the need of a controller.

DESIGNED FOR PERMANENT, OUTDOOR USE

The **Exterior AC-Feeder** protects all inputs and outputs against overload and surge conditions. Built-in fail-safe bypass technology ensures that a single unit failure will not disrupt the entire network.

It meets rigorous environmental standards and are backed by a 5-year warranty.

EXTERIOR AC-FEEDER

MULTI-PROTOCOL, LINE-VOLTAGE DRIVER FOR EXTERIOR DOT -1/4/9 PRO

SPEC SHEET

PRODUCT FEATURES

- Fully-weatherized housing (IP66, IK08 and C-5 High corrosion rating)
- Martin P3/Art-Net/sACN compatible (automatic protocol detection)
- Fail-safe bypass of Ethernet signal
- Setup and Addressing via RDM over Art-Net or Martin P3
- Real-time status feedback via RDM over Art-Net and Martin P3
- Local status LED and pushbutton to call up test patterns
- Thermal protection with automatic power reduction
- 100 - 240/277 VAC Direct Line Voltage operation
- Internal terminal blocks for Power and Ethernet
- Hot-pluggable output connector (to Exterior Dot Pro strings)
- Surface- and truss-mountable
- Shipped in FSC-certified cardboard packaging
- 5-year warranty

TECHNICAL SPECIFICATIONS

CONTROL AND PROGRAMMING

Control protocols	Martin P3, Art-Net or sACN
Protocol detection	Automatic
RDM Compliance (over Art-Net)	ANSI/ESTA E1.20
Art-Net Compliance	Art-Net 1, 2, 3 and 4; including RDM over Art-Net
sACN Compliance	ANSI E1.31 - 2016
Martin P3 Compliance	P3 System Controller Software 6.1.0 or newer
Ethernet Transceiver	10/100Mbit (with fail-safe bypass)
Fixture identification	User-settable ID number
Setting and addressing	Martin P3 System controller or RDM (over Art-Net)-compliant controller
Firmware update	Via Ethernet using Martin Companion / P3 System Controller

CONTROL/USER INTERFACE

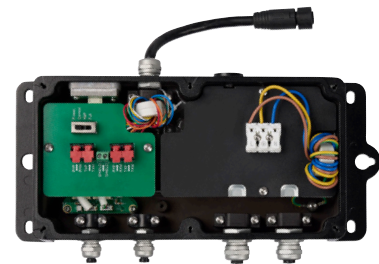
Device status	Multicolor status LED
Device test and reset	Pushbutton to call up local test patterns and reset device.

CONSTRUCTION

Color	Black
Housing	Aluminum
Surface treatment	Anodized and electrostatic powder-coated
Effective Projected Area (EPA)	0.062 m ²
Protection rating	IP66
Impact resistance	IK08
Corrosion resistance	C5 High (ISO 12944-6)
Vibration resistance	1.0g, Sinusoidal (IEC 60068-2-6), 0.7g RMS Random (IEC 60068-2-64), 30g (ANSI C136-31)

INSTALLATION

Orientation	Any
Surface mounting	Four M6 mounting slots.
Truss mounting	M12 mounting hole for standard rigging clamp.



EXTERIOR AC-FEEDER

MULTI-PROTOCOL, LINE-VOLTAGE DRIVER FOR EXTERIOR DOT -1/4/9 PRO

SPEC SHEET

TECHNICAL SPECIFICATIONS (Cont.)

CONNECTIONS

Power input or power & data input	M20 cable gland
Power thru or power & data thru	M20 cable gland
Ethernet cable input	M12 cable gland
Ethernet cable thru	M12 cable gland
Connection	Internal terminal blocks for Power and Ethernet
Output	Output cable tail with connector for Exterior Dot Pro string (Hot-pluggable)

ELECTRICAL

AC power	100 - 240 / 277 V nominal, 50/60 Hz
Power supply unit	Auto-ranging electronic switch-mode
Output voltage	15 VDC
Typical half-cycle RMS inrush current	14 A
Surge protection	4 kV
Max earth leakage	0.5 mA
Power factor	0.99 @110 V / 120 V, 0.92 @208 V / 230V, 0.90 @277 V
Max current draw	1.1 A @100 V, 0.9 A @120 V, 0.5 A @230 V, 0.44 A @ 277 V

POWER CONSUMPTION

Max	115 W at full load
Idle	6 W
Hibernation	2.5 W

* Measurements made at nominal voltage. Allow for a deviation of +/- 10%.
Idle: all LEDs at zero intensity. Maximum at full intensity, full white. Idle at zero intensity. Hibernation: zero intensity, wake-up procedure to re-use fixture.

THERMAL

Cooling	Convection
Max. ambient temperature (Ta max.)	55° C (131° F)*
Min. ambient temperature (Ta min.)	-30° C (-22° F)
Total heat dissipation (calculated, +/- 10%)	51 BTU/hr at full load
Thermal Protection	Integrated temperature sensor

*Above this temperature, the AC-Feeder regulates output to protect from overheating.

ENVIRONMENTAL

RoHS	Compliant
REACH	Compliant
WEEE	Compliant
Proposition 65	Compliant
FSC	Certified cardboard inlay and outer box

APPROVALS

EU safety	EN 62368-1
EU EMC	EN55032, EN55035, EN61000-3-2, EN61000-3-3
US safety	UL 62368-1
US EMC	FCC 47 CRF § 15 Class A
Canadian safety	CSA C22.2 No. 62368-1
Canadian EMC	ICES-003 Class A
Australia/NZ	RCM



RELATED ITEMS

- P3-175 System ControllerP/N MAR-90721100
- P3-275 System ControllerP/N MAR-90721101
- Martin P3-PC System ControllerFree download from martin.com
- Martin Companion SoftwareFree download from martin.com
- Exterior Dot-1 Pro, 115mm, 100pcs, 2m lead-in.....P/N MAR-90580000
- Exterior Dot-4 Pro, 200mm, 64 pcs, 2m leadP/N MAR-90580001
- Exterior Dot-9 Pro, 400mm 36pcs 2m leadP/N MAR-90580002

EXTERIOR AC-FEEDER

MULTI-PROTOCOL, LINE-VOLTAGE DRIVER FOR EXTERIOR DOT -1/4/9 PRO

SPEC SHEET

ACCESSORIES

PDE CABLES

- Hybrid PDE-PDE Cables-1m (3.2 ft.)..... P/N 91616001
- Hybrid PDE-PDE Cables-2.5m (8.2 ft.)..... P/N 91616002
- Hybrid PDE-PDE Cables-5m (16.4 ft.)..... P/N 91616003
- Hybrid PDE-PDE Cables-10m (32.8 ft.)..... P/N 91616004
- Hybrid PDE-PDE Cables-25m (82 ft.)..... P/N 91616005
- PDE Cable Power-DMX-Ethernet Rental 100m (328 ft.) P/N 91616006

BULK CONNECTORS

- Bulk Hybrid PDE Connectors-Male..... P/N 91611701
- Bulk Hybrid PDE Connectors-Female P/N 91611702

PDE CABLE TAIL SET

- PDE Cable tail Set.....P/N MAR-90580025

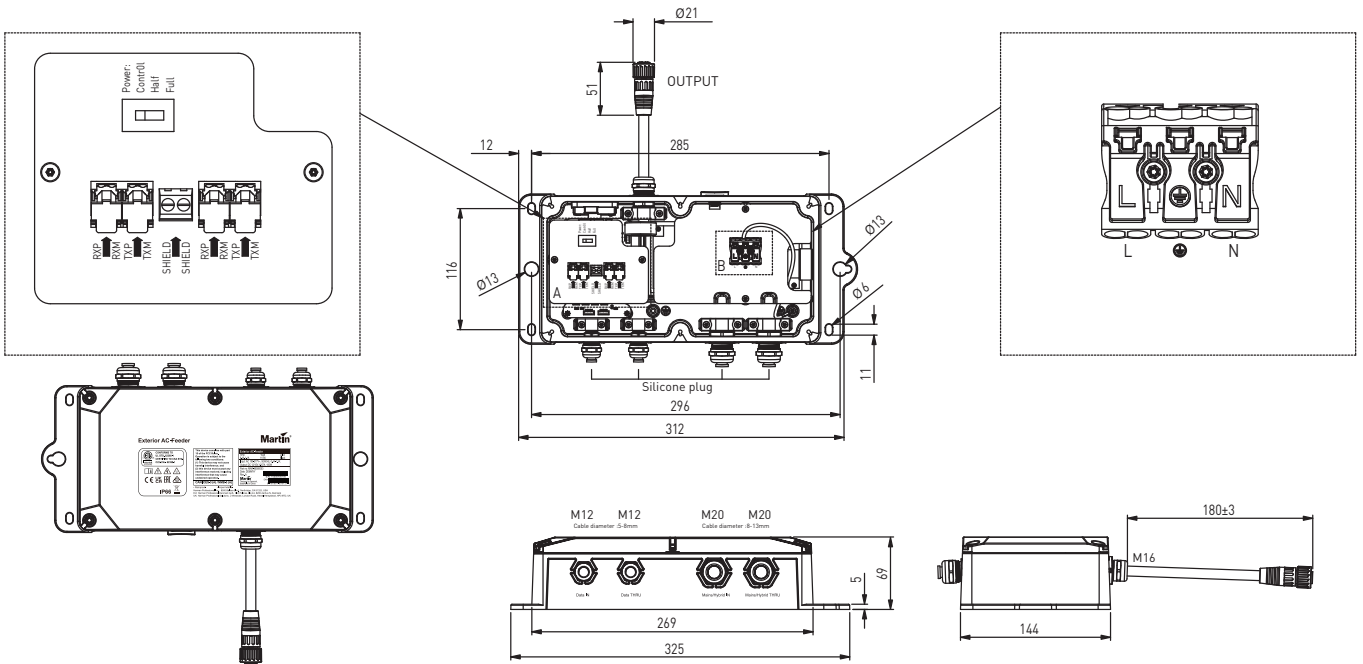
ORDERING INFORMATION

- Exterior AC-FeederP/N MAR-90580003

DIMENSIONS

PHYSICAL

- Length.....325mm (12.8in.) including flange bracket
- Width..... 144 mm (5.6in.)
- Height..... 69 mm (2.7 in.)
- Weight.....2.7 kg (5.95 lbs.)



All dimensions are in mm

HARMAN PROFESSIONAL INC. ■ 8500 BALBOA BOULEVARD ■ NORTHBRIDGE ■ CA 91329 ■ USA ■ +1 818 893 8411

©2024 HARMAN Professional. All rights reserved. Martin® is a registered trademark of HARMAN Professional Inc. registered in the United States and/or other countries. Features, specifications, and appearance are subject to change without notice.

REV: 20240815

