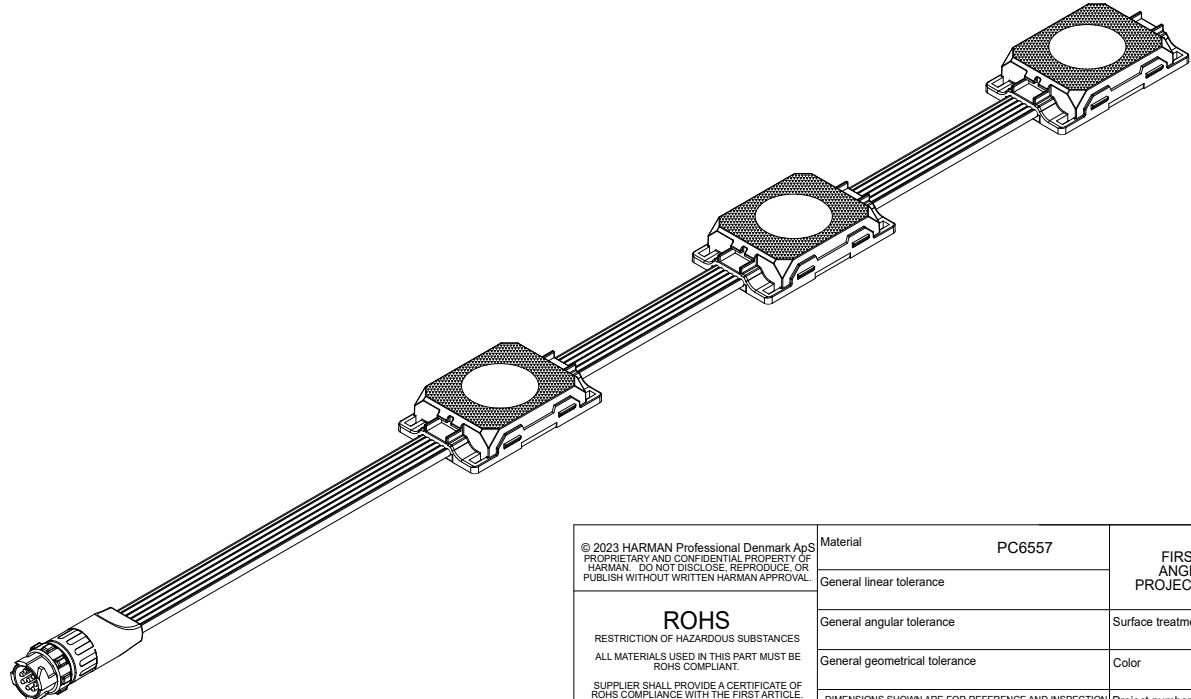
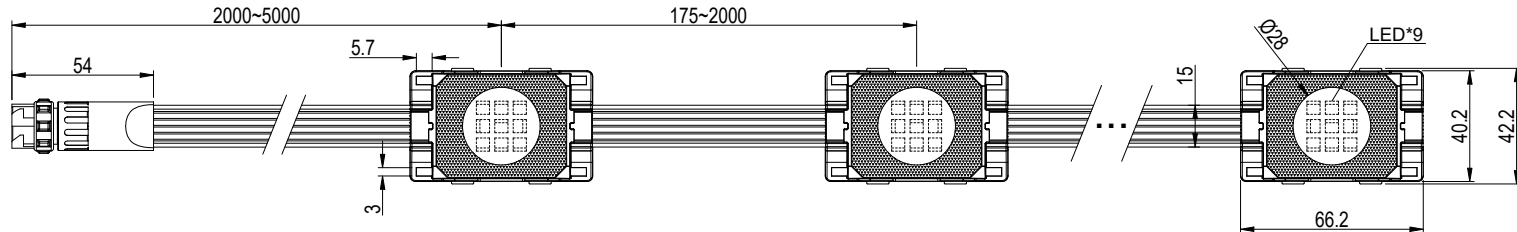


INPUT



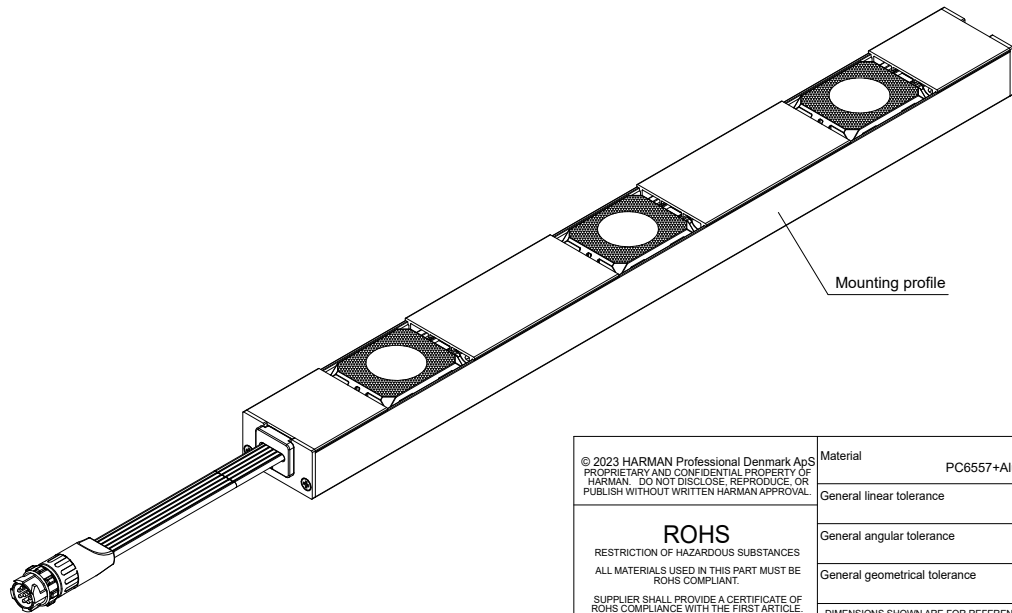
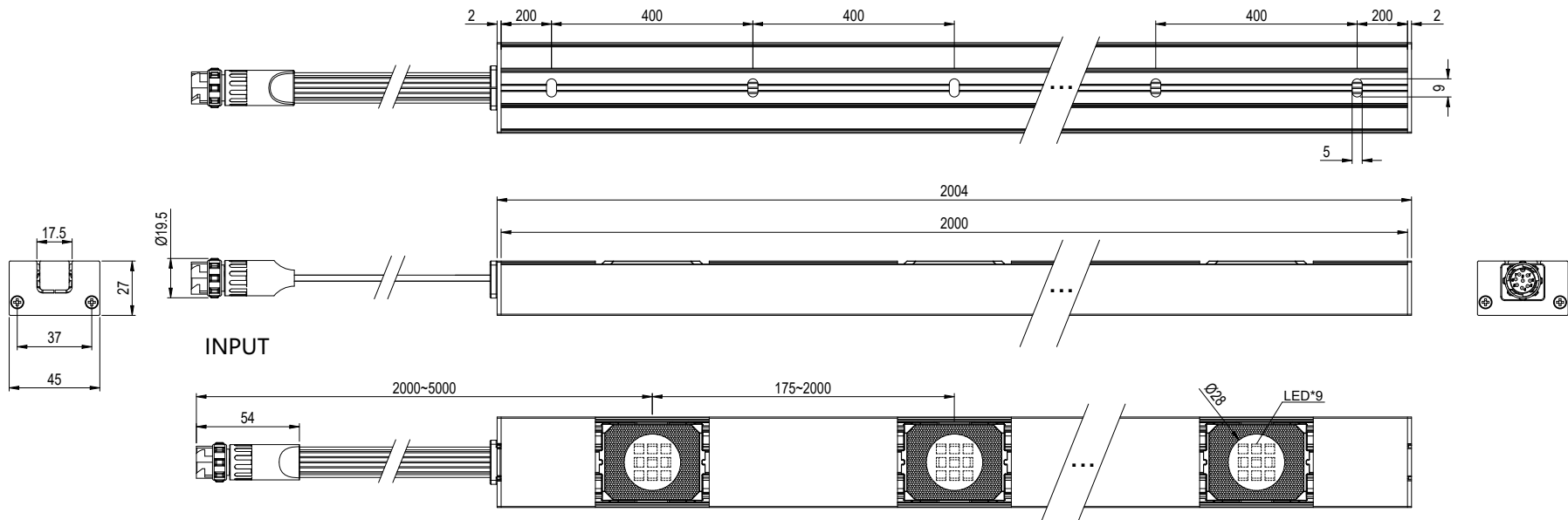
© 2023 HARMAN Professional Denmark ApS  
 PROPRIETARY AND CONFIDENTIAL PROPERTY OF  
 HARMAN. DO NOT DISCLOSE, REPRODUCE, OR  
 PUBLISH WITHOUT WRITTEN HARMAN APPROVAL.

**ROHS**  
 RESTRICTION OF HAZARDOUS SUBSTANCES  
 ALL MATERIALS USED IN THIS PART MUST BE  
 ROHS COMPLIANT.  
 SUPPLIER SHALL PROVIDE A CERTIFICATE OF  
 ROHS COMPLIANCE WITH THE FIRST ARTICLE.

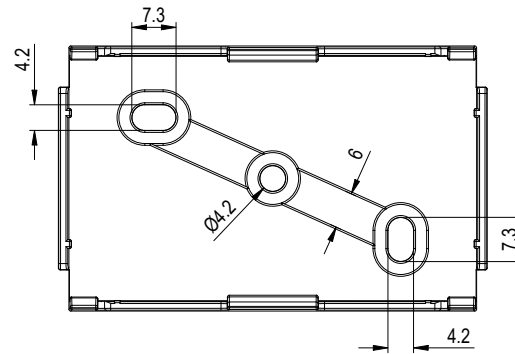
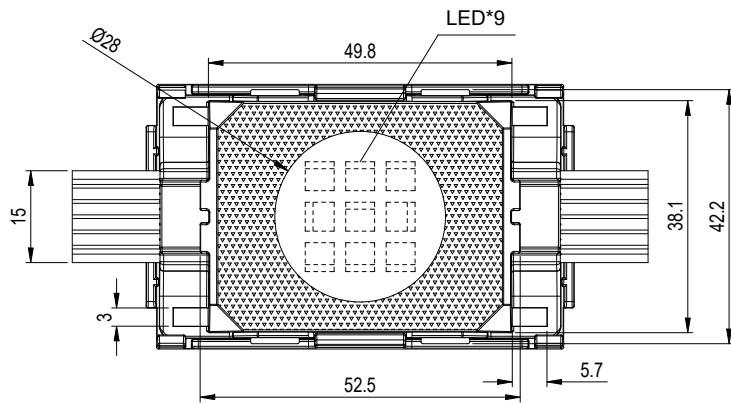
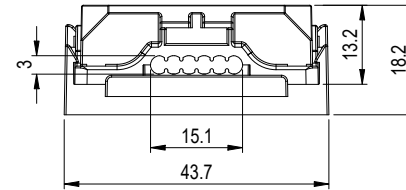
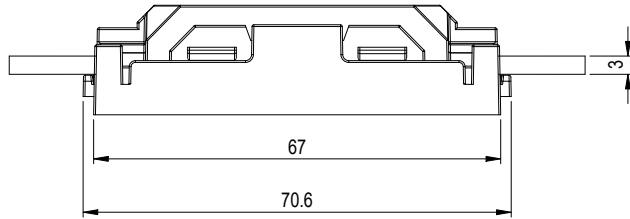
Material	PC6557
General linear tolerance	
General angular tolerance	
General geometrical tolerance	
DIMENSIONS SHOWN ARE FOR REFERENCE AND INSPECTION ONLY. REFER TO CAD MODEL PROVIDED WITH THIS DRAWING FOR OVERALL DEFINITION OF PART GEOMETRY.	

FIRST ANGLE PROJECTION	
Surface treatment	
Color	Black
Project number	

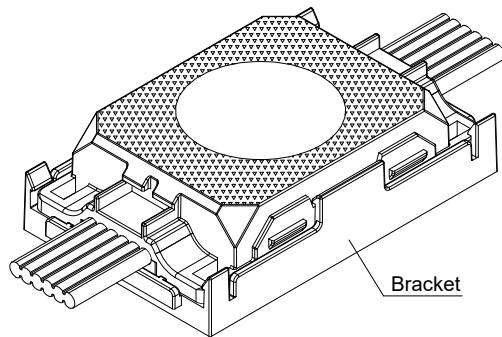
		HARMAN Professional Denmark ApS Olof Palmes Allé 44 DK 8200 Aarhus N	
TITLE ( Model in view )			
Exterior Dot-9 Pro		NO.	REV A
SIZE	SCALE	UNIT	SHEET OF
A4	1:8	mm	N/A 1/5

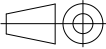



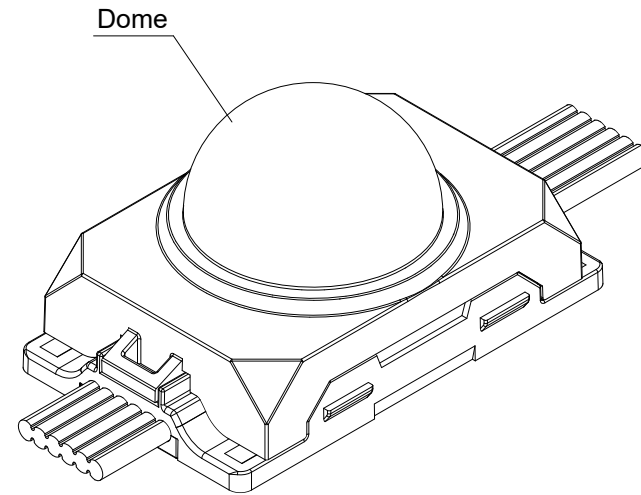
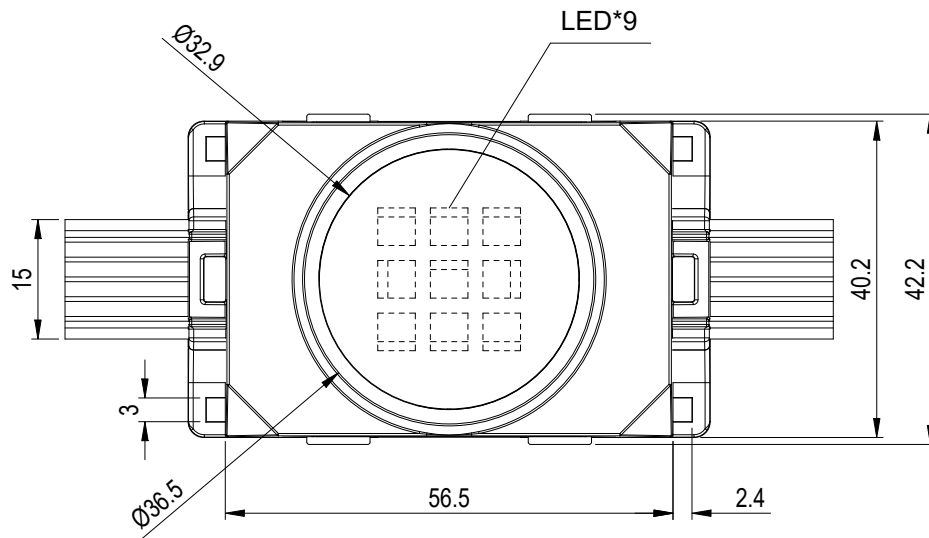
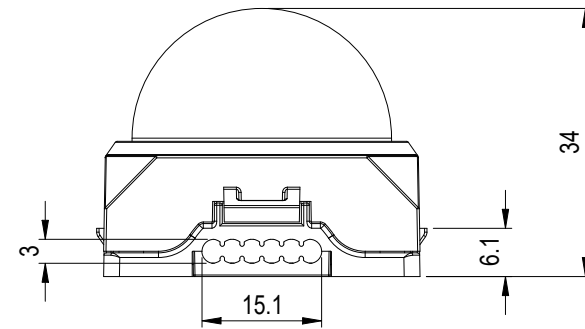
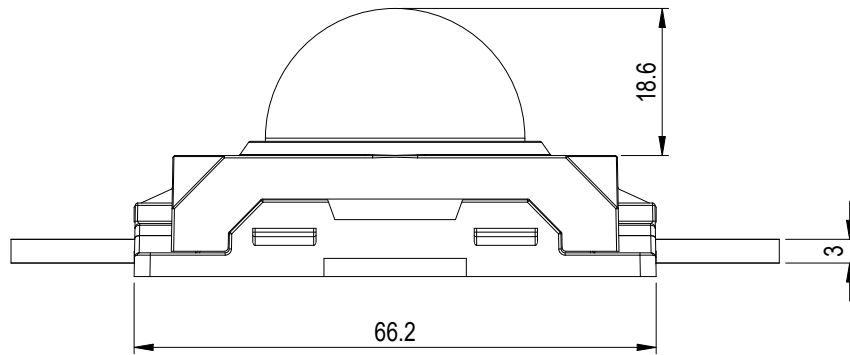
© 2023 HARMAN Professional Denmark ApS PROPRIETARY AND CONFIDENTIAL PROPERTY OF HARMAN. DO NOT DISCLOSE, REPRODUCE, OR PUBLISH WITHOUT WRITTEN HARMAN APPROVAL.  <b>ROHS</b> RESTRICTION OF HAZARDOUS SUBSTANCES ALL MATERIALS USED IN THIS PART MUST BE ROHS COMPLIANT.  SUPPLIER SHALL PROVIDE A CERTIFICATE OF ROHS COMPLIANCE WITH THE FIRST ARTICLE.	Material PC6557+Aluminium6063-T5	FIRST ANGLE PROJECTION			HARMAN Professional Denmark ApS Olof Palmes Allé 44 DK 8200 Aarhus N		
	General linear tolerance				Surface treatment Anodic Oxidation	TITLE ( Model in view ) Exterior Dot-9 Pro installed in the mounting profile	
	General angular tolerance	Color Gray+Silver	NO.	REV A		SHEET OF 2/5	
	General geometrical tolerance	Project number	SIZE A4	SCALE 1:8	UNIT mm	N/A	SHEET OF 2/5
DIMENSIONS SHOWN ARE FOR REFERENCE AND INSPECTION ONLY. REFER TO CAD MODEL PROVIDED WITH THIS DRAWING FOR OVERALL DEFINITION OF PART GEOMETRY.							

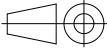


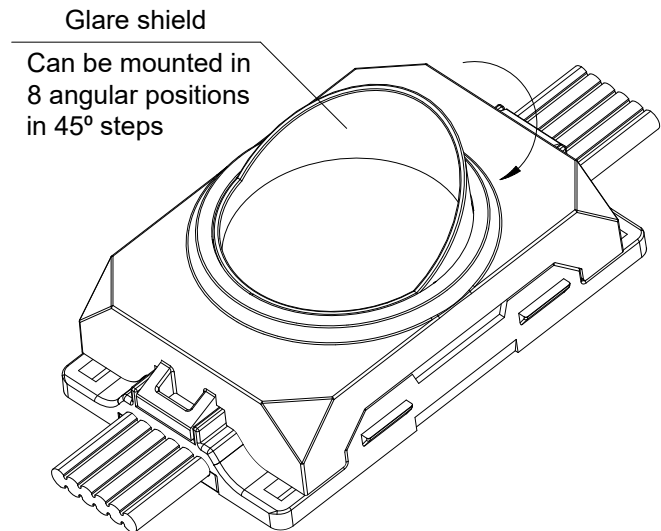
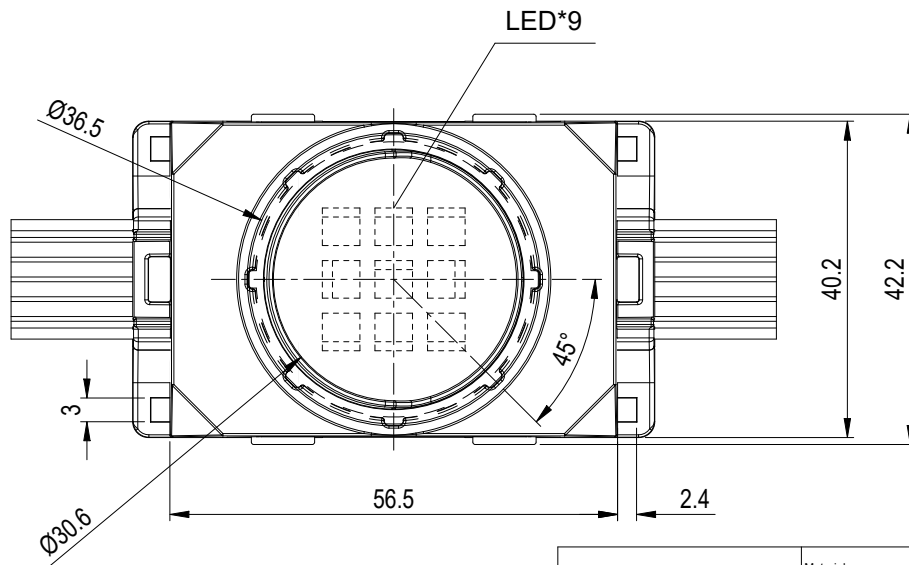
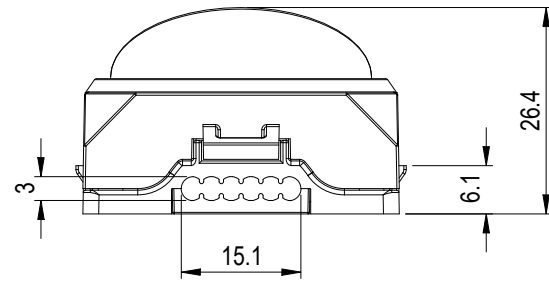
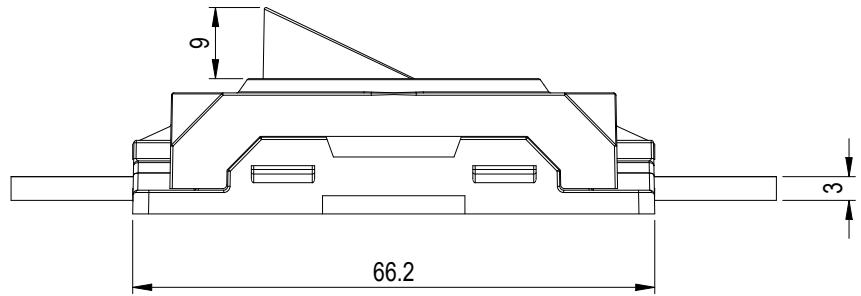
Bracket



© 2023 HARMAN Professional Denmark ApS PROPRIETARY AND CONFIDENTIAL PROPERTY OF HARMAN. DO NOT DISCLOSE, REPRODUCE, OR PUBLISH WITHOUT WRITTEN HARMAN APPROVAL.  <b>ROHS</b> RESTRICTION OF HAZARDOUS SUBSTANCES ALL MATERIALS USED IN THIS PART MUST BE ROHS COMPLIANT.  SUPPLIER SHALL PROVIDE A CERTIFICATE OF ROHS COMPLIANCE WITH THE FIRST ARTICLE.	Material	PC6557	FIRST ANGLE PROJECTION 		HARMAN Professional Denmark ApS Olof Palmes Allé 44 DK 8200 Aarhus N		
	General linear tolerance					TITLE ( Model in view )	
	General angular tolerance	Surface treatment		Exterior Dot-9 Pro installed with mounting bracket			
	General geometrical tolerance	Color	Black	NO.	REV	A	
DIMENSIONS SHOWN ARE FOR REFERENCE AND INSPECTION ONLY. REFER TO CAD MODEL PROVIDED WITH THIS DRAWING FOR OVERALL DEFINITION OF PART GEOMETRY.		Project number	SIZE	SCALE	UNIT	N/A	SHEET OF
			A4	1:8	mm		3/5



<p>© 2023 HARMAN Professional Denmark ApS          PROPRIETARY AND CONFIDENTIAL PROPERTY OF          HARMAN. DO NOT DISCLOSE, REPRODUCE, OR          PUBLISH WITHOUT WRITTEN HARMAN APPROVAL.</p> <p><b>ROHS</b>          RESTRICTION OF HAZARDOUS SUBSTANCES          ALL MATERIALS USED IN THIS PART MUST BE          ROHS COMPLIANT.</p> <p>SUPPLIER SHALL PROVIDE A CERTIFICATE OF          ROHS COMPLIANCE WITH THE FIRST ARTICLE.</p>	Material	PC6557	<p>FIRST          ANGLE          PROJECTION</p> 	<p><b>Martin</b></p> <p>TITLE ( Model in view )</p> <p>Exterior Dot-9 Pro installed with mounting bracket and dome</p>	<p>HARMAN Professional          Denmark ApS          Olof Palmes Allé 44          DK 8200 Aarhus N</p>						
	General linear tolerance				Surface treatment	NO.	REV			A	
	General angular tolerance		Color	Gray+Milk white	Project number	SIZE	SCALE	UNIT	N/A	SHEET	OF
	General geometrical tolerance		DIMENSIONS SHOWN ARE FOR REFERENCE AND INSPECTION ONLY. REFER TO CAD MODEL PROVIDED WITH THIS DRAWING FOR OVERALL DEFINITION OF PART GEOMETRY.		A4	1:8	mm			4/5	



<p>© 2023 HARMAN Professional Denmark ApS          PROPRIETARY AND CONFIDENTIAL PROPERTY OF          HARMAN. DO NOT DISCLOSE, REPRODUCE, OR          PUBLISH WITHOUT WRITTEN HARMAN APPROVAL.</p> <p><b>ROHS</b>          RESTRICTION OF HAZARDOUS SUBSTANCES          ALL MATERIALS USED IN THIS PART MUST BE          ROHS COMPLIANT.</p> <p>SUPPLIER SHALL PROVIDE A CERTIFICATE OF          ROHS COMPLIANCE WITH THE FIRST ARTICLE.</p>	Material	PC6557	<p>FIRST          ANGLE          PROJECTION</p>	<p><b>Martin</b></p> <p>TITLE ( Model in view )</p> <p>Exterior Dot-9 Pro installed with mounting bracket and glare shield</p>	<p>HARMAN Professional          Denmark ApS          Olof Palmes Allé 44          DK 8200 Aarhus N</p>						
	General linear tolerance				Surface treatment	NO.	REV			A	
	General angular tolerance		Color	Gray	Project number	SIZE	SCALE	UNIT	N/A	SHEET	OF
	General geometrical tolerance		DIMENSIONS SHOWN ARE FOR REFERENCE AND INSPECTION ONLY. REFER TO CAD MODEL PROVIDED WITH THIS DRAWING FOR OVERALL DEFINITION OF PART GEOMETRY.		A4	1:8	mm			5/5	