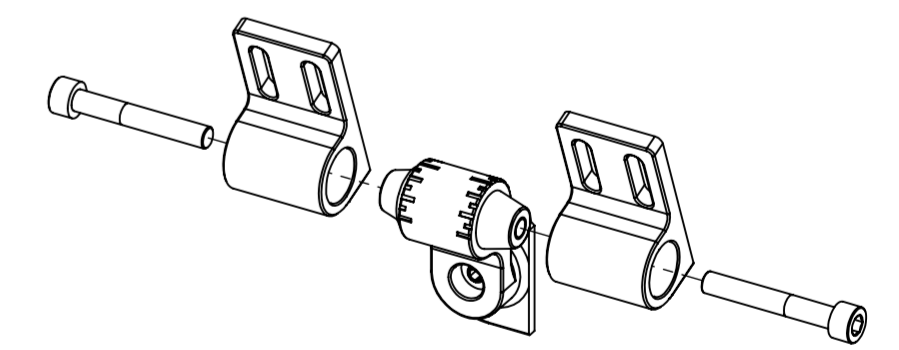


Mounted with
Glare shield (left side)

SCALE 1:5



Rev.	Date	Resp.	CO no. / Comment			
B	09.01.2019	Itousgaard				
A	12.03.2018		First release			
Item to be	Material					
Item to be	General linear tolerance					
Item to be	General angular tolerance					
Item to be	Color		Format	Scale	Unit	
Description			A2	1:2	mm	
Exterior Linear 300 RGBW / 320 CTC Cove			Item no.-Rev.			

