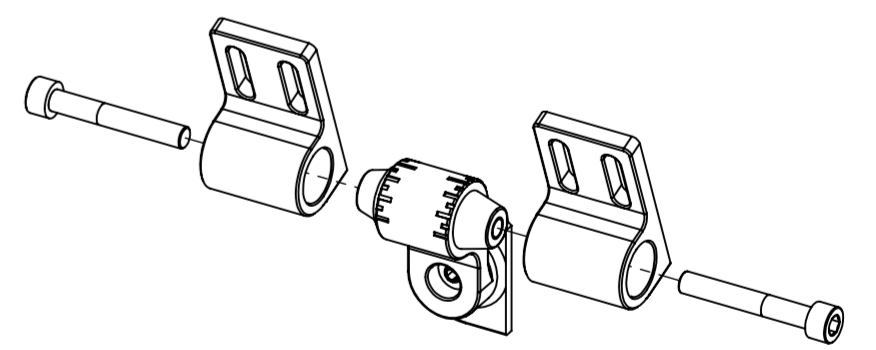


Mounted with  
Glare shield  
(left side)

Mounted with  
Glare shield (left side)

SCALE 1:5



Rev.	Date	Resp.	CO no. / Comment			
B	09.01.2019	Itousgaard				
A	12.03.2018		First release			
Item to be	Material					
Item to be	General linear tolerance					
Item to be	General angular tolerance					
Item to be	Color			Format	Scale	Unit
Description				A2	1:2	mm
Exterior Linear 1210 QUAD Cove				Item no.-Rev.		

