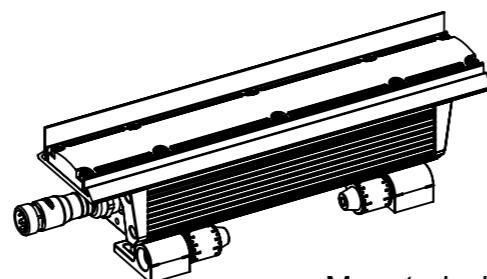
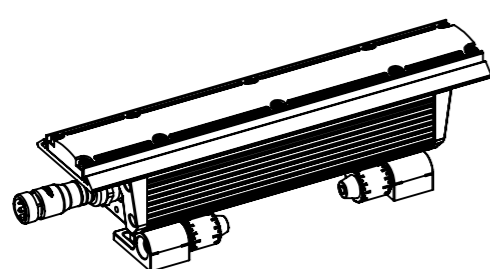
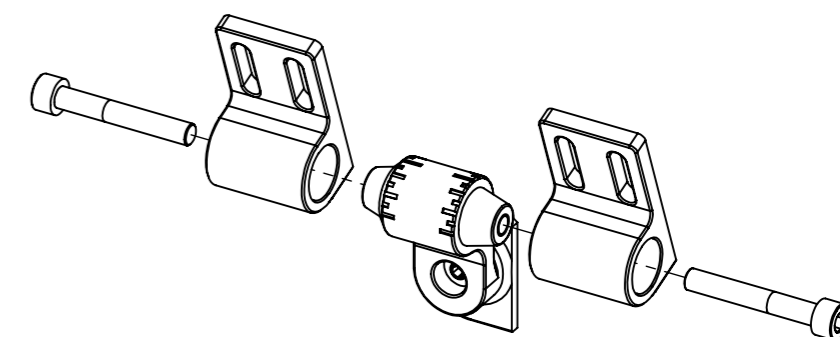
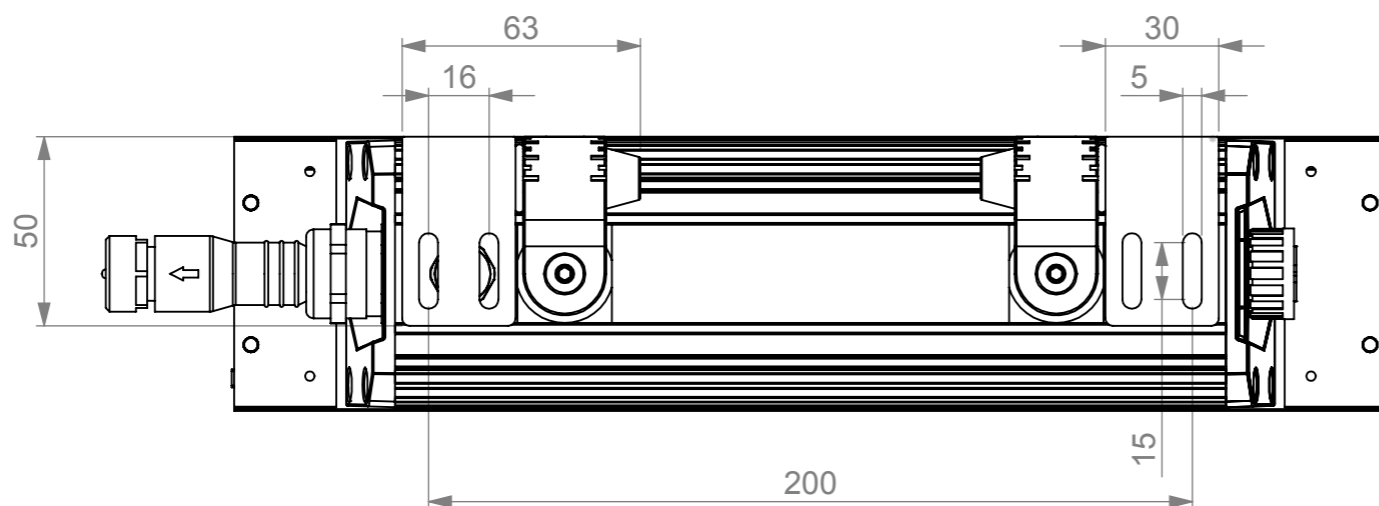
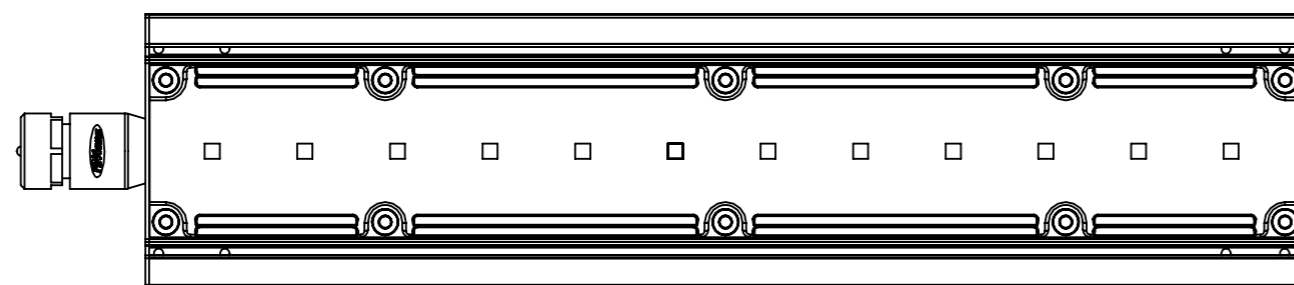


Mounted with Glare shield (left side)



Mounted with Glare shield (left side)

SCALE 1:5

Rev.	Date	Resp.	CO no. / Comment	Material	Item to be	General linear tolerance	General angular tolerance	Color	Format A3	Scale 1:2	Unit mm
B	09.01.2019	Itousgaard	First release	Item to be	Item to be	Item to be	Item to be	Item to be	Description	Item no.-Rev.	
A	12.03.2018								Exterior Linear 300 RGBW / 320 CTC Cove		

