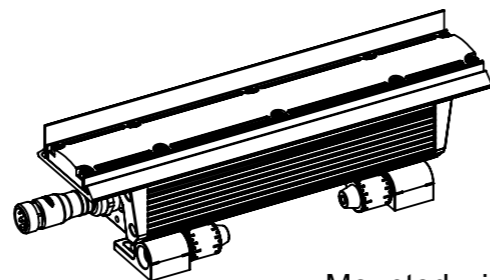
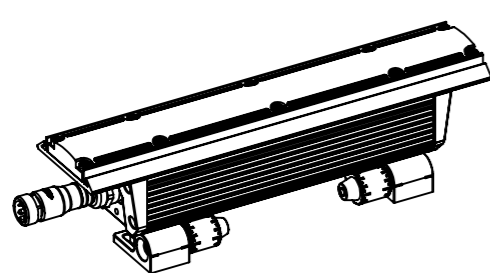
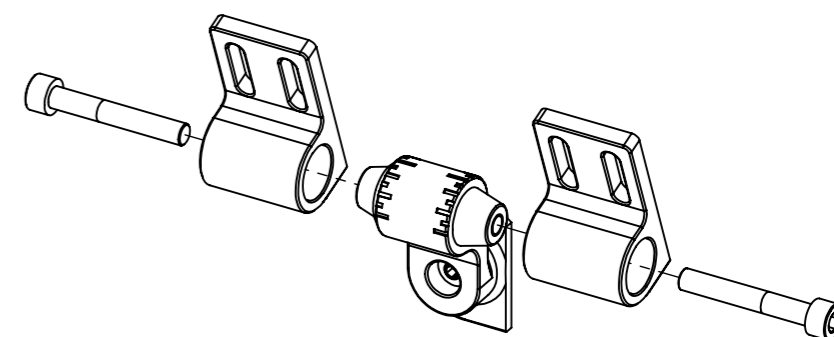
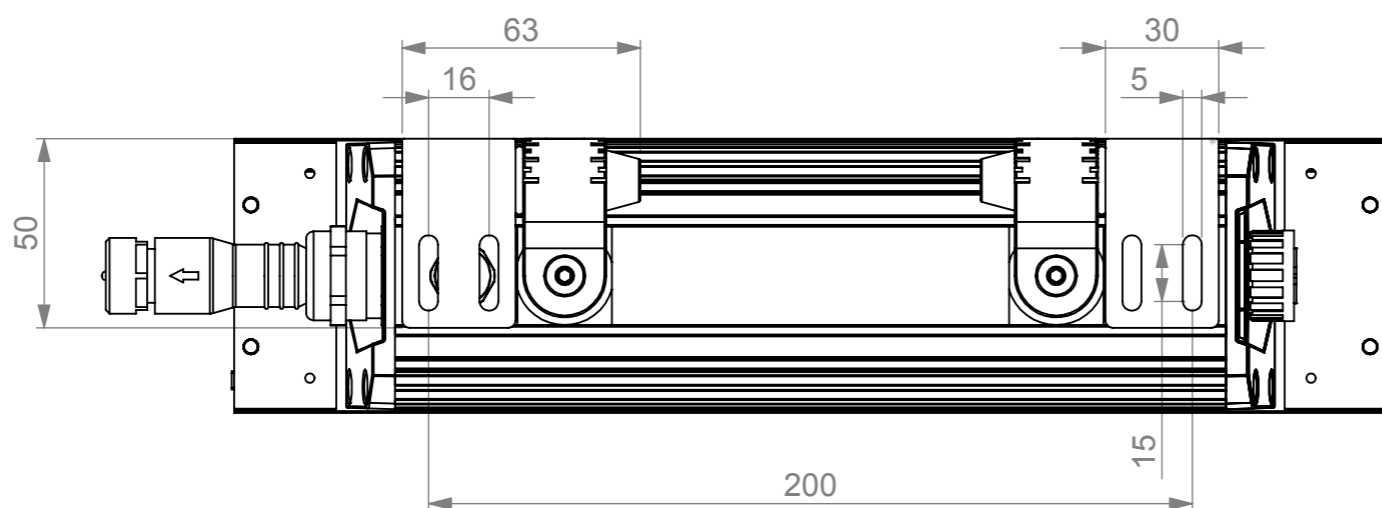
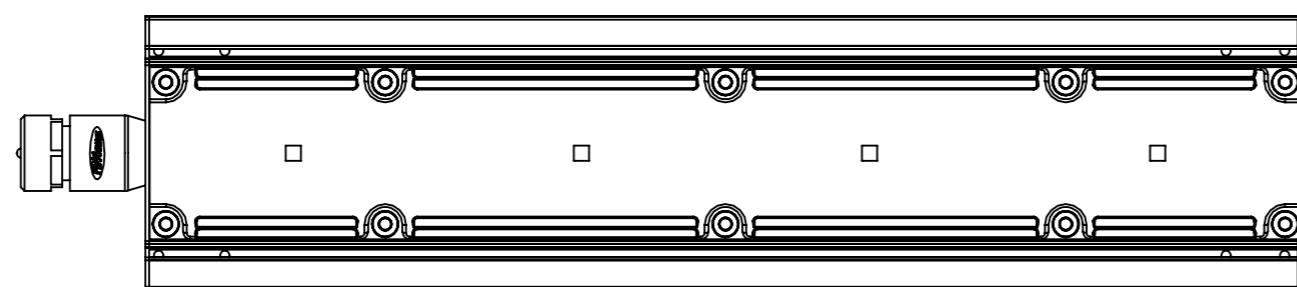


Mounted with
Glare shield (left side)



Mounted with
Glare shield (left side)

SCALE 1:5

| Rev. | Date | Resp. | CO no. / Comment | Material | Format | Scale | Unit |
|-------------------------------|------------|------------|------------------|---------------------------|--------|-------|------|
| B | 09.01.2019 | Itousgaard | | | A3 | 1:2 | mm |
| A | 12.03.2018 | | First release | | | | |
| | | | First used in | | | | |
| Item to be | | | | General linear tolerance | | | |
| Item to be | | | | General angular tolerance | | | |
| Item to be | | | | Color | | | |
| Description | | | | Item no.-Rev. | | | |
| Exterior Linear 310 QUAD Cove | | | | | | | |

