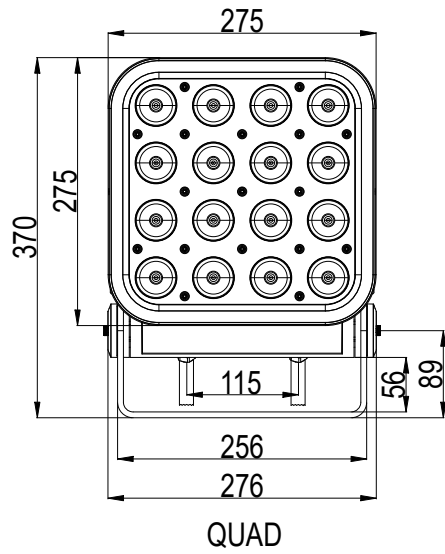
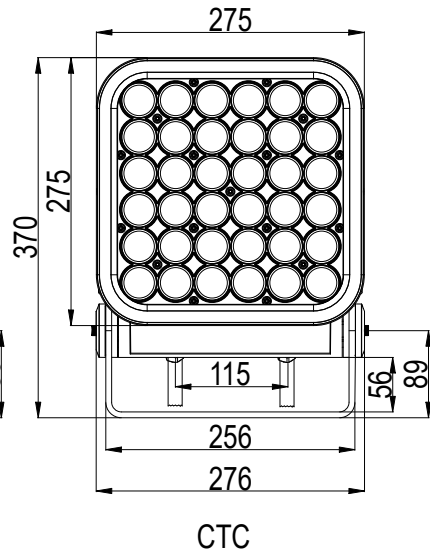


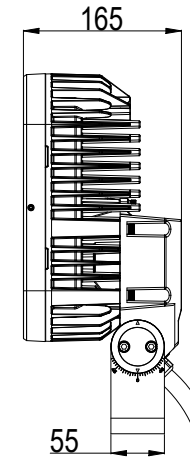
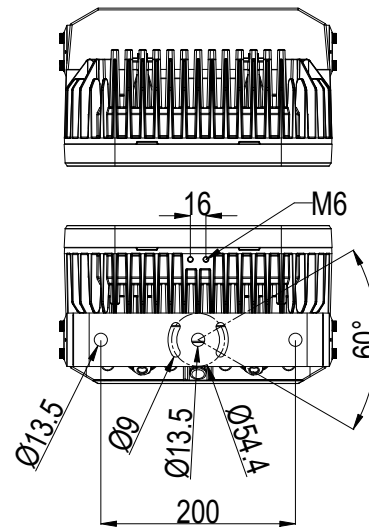
REVISION HISTORY			
DATE	REV.	DESCRIPTION	BY



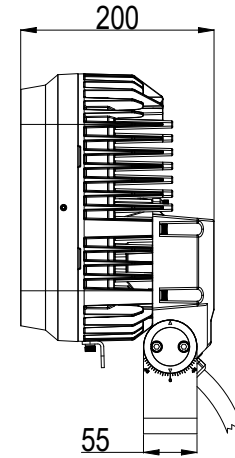
QUAD



CTC

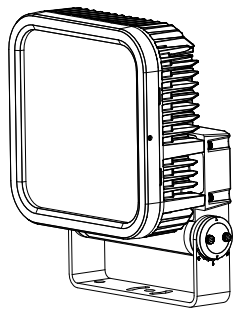


Without Baffle snoot

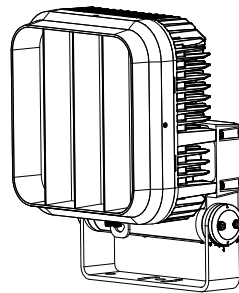


With baffle snoot and optional attachment plate for safety wire

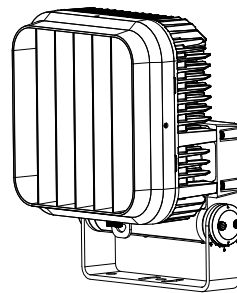
Pre-mounted power and DMX In/Out cables: 2-meter lengths



Without Baffle snoot



With QUAD Baffle snoot



With CTC Baffle snoot

MAR-90590003	EXTERIOR WASH PRO L QUAD, EU, ALU
MAR-90590007	EXTERIOR WASH PRO L QUAD, US, ALU
MAR-90590011	EXTERIOR WASH PRO L CTC, EU, ALU
MAR-90590015	EXTERIOR WASH PRO L CTC, US, ALU
MAR-90590103	EXTERIOR WASH PRO L QUAD, EU, WHITE

© 2023 HARMAN Professional Denmark ApS
 PROPRIETARY AND CONFIDENTIAL PROPERTY OF
 HARMAN. DO NOT DISCLOSE, REPRODUCE, OR
 PUBLISH WITHOUT WRITTEN HARMAN APPROVAL.

ROHS

RESTRICTION OF HAZARDOUS SUBSTANCES
 ALL MATERIALS USED IN THIS PART MUST BE
 ROHS COMPLIANT.

SUPPLIER SHALL PROVIDE A CERTIFICATE OF
 ROHS COMPLIANCE WITH THE FIRST ARTICLE.

Material	FIRST ANGLE PROJECTION
General linear tolerance	Surface treatment
General angular tolerance	Color
General geometrical tolerance	Project number
DIMENSIONS SHOWN ARE FOR REFERENCE AND INSPECTION ONLY. REFER TO CAD MODEL PROVIDED WITH THIS DRAWING FOR OVERALL DEFINITION OF PART GEOMETRY.	

NO. See above		REV B	
SIZE A4	SCALE 1:8	UNIT mm	DO NOT SCALE DRAWING

		HARMAN Professional Denmark ApS Oluf Palmes Allé 44 DK 8200 Aarhus N	
TITLE (Model in view)			
EXTERIOR WASH PRO L			
NO. See above		REV B	
SIZE A4	SCALE 1:8	UNIT mm	DO NOT SCALE DRAWING
		SHEET 1	OF 1