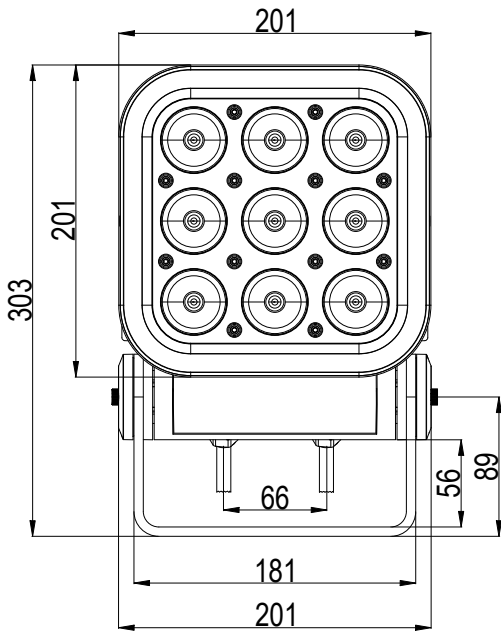
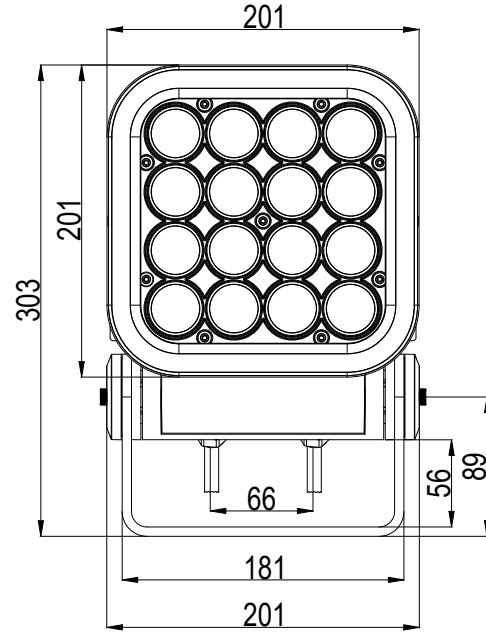


REVISION HISTORY

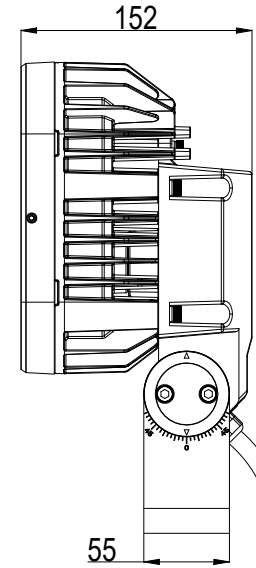
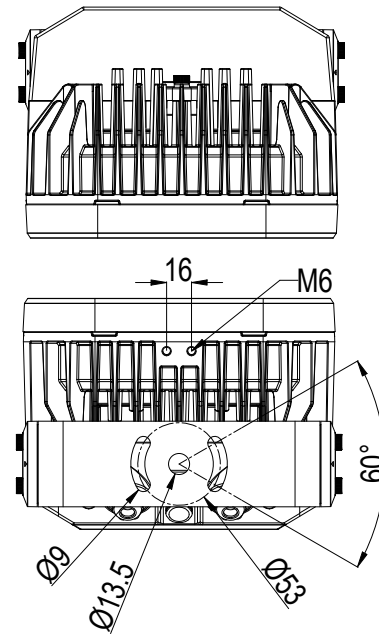
DATE	REV.	DESCRIPTION	BY



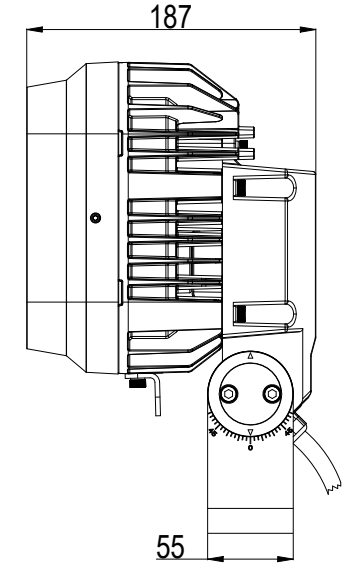
QUAD



CTC

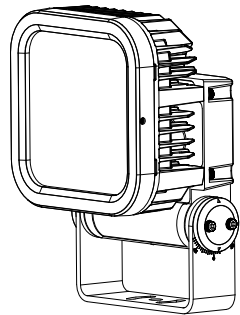


Without Baffle snoot

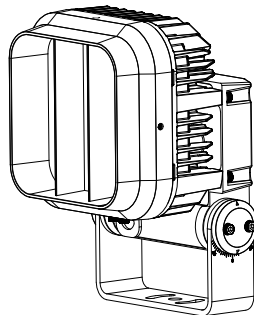


With baffle snoot and optional attachment plate for safety wire

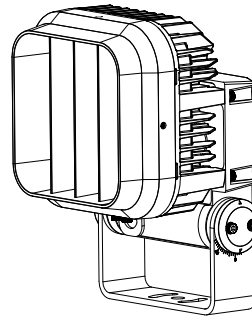
Pre-mounted power and DMX In/Out cables: 2-meter lengths



Without Baffle snoot



With QUAD Baffle snoot



With CTC Baffle snoot

MAR-90590002	EXTERIOR WASH PRO M QUAD, EU, ALU
MAR-90590006	EXTERIOR WASH PRO M QUAD, US, ALU
MAR-90590010	EXTERIOR WASH PRO M CTC, EU, ALU
MAR-90590014	EXTERIOR WASH PRO M CTC, US, ALU
MAR-90590102	EXTERIOR WASH PRO M QUAD, EU, WHITE

© 2023 HARMAN Professional Denmark ApS  
 PROPRIETARY AND CONFIDENTIAL PROPERTY OF  
 HARMAN. DO NOT DISCLOSE, REPRODUCE, OR  
 PUBLISH WITHOUT WRITTEN HARMAN APPROVAL.

**ROHS**  
 RESTRICTION OF HAZARDOUS SUBSTANCES  
 ALL MATERIALS USED IN THIS PART MUST BE  
 ROHS COMPLIANT.  
 SUPPLIER SHALL PROVIDE A CERTIFICATE OF  
 ROHS COMPLIANCE WITH THE FIRST ARTICLE.

Material	FIRST ANGLE PROJECTION
General linear tolerance	Surface treatment
General angular tolerance	Color
General geometrical tolerance	Project number
DIMENSIONS SHOWN ARE FOR REFERENCE AND INSPECTION ONLY. REFER TO CAD MODEL PROVIDED WITH THIS DRAWING FOR OVERALL DEFINITION OF PART GEOMETRY.	

TITLE ( Model in view )	
EXTERIOR WASH PRO M	
NO. See above	REV B
SIZE A4	SCALE 1:5
UNIT mm	DO NOT SCALE DRAWING
SHEET 1	OF 1

<b>Martin</b>		HARMAN Professional Denmark ApS Oluf Paimes Allé 44 DK 8200 Aarhus N	
EXTERIOR WASH PRO M			
NO. See above		REV B	
SIZE A4	SCALE 1:5	UNIT mm	DO NOT SCALE DRAWING
SHEET 1	OF 1		