

Exterior Wash Pro M CTC

OUTDOOR RATED WASH LIGHT WITH COLOR TEMPERATURE CONTROL

SPEC SHEET



Engineered for harsh conditions and creativity, **Exterior Wash Pro M CTC** provides a logical, user-friendly and versatile lighting solution designed to illuminate mid-sized structures and building facades. Featuring external lenses and an optional baffle snoot, this fixture provides configurable beam control. Exterior Wash Pro M CTC offers dedicated color temperature control from 2400K-6500K. Designed for permanent outdoor installations and backed by a 5-year warranty, this fixture meets rigorous environmental standards.

FEATURES

- **Logic family** of four sizes and lumen packages (S, M, L, XL)
- **Compact** and slim design
- **Extended color temperature control** from 2400K - 6500K
- **More than 60 lm/W** efficacy
- **Narrow** beam-angle using high-power LEDs
- Optional **baffle snoot**
- Externally mounted **micro lens diffusers**
- **RDM and DMX** control
- **Local diagnostics** and focusing via magnetic sensor
- **Power and DMX IN/OUT** pre-mounted cables
- **Optional Hybrid IN/OUT** cable solution
- **Fully weatherized** housing (IP66, IK08 and C-5 High corrosion rating)
- **5-year** warranty

HARMAN PROFESSIONAL INC. • 8500 BALBOA BOULEVARD • NORTHRIDGE • CA 91329 • USA • +1 818 893 8411

©2025 HARMAN Professional. All rights reserved. Martin[®] is a registered trademark of HARMAN Professional Inc. registered in the United States and/or other countries. Features, specifications, and appearance are subject to change without notice.

REV: 20250626

Martin[®]

Exterior Wash Pro M CTC

OUTDOOR RATED WASH LIGHT WITH COLOR TEMPERATURE CONTROL

SPEC SHEET

FEATURE HIGHLIGHTS

LOGICAL AND COHESIVE PRODUCT FAMILY

Choose from four sizes and lumen output packages that accommodate various installations and budgets. Enjoy a compact, lightweight design with integrated baffle snoot option for added versatility.

PRECISE BEAM CONTROL

Achieve precise light control and high intensity, while minimizing stray light in long-range applications, thanks to the narrow beam angle.

EXTENDED COLOR TEMPERATURE RANGE

Exterior Wash Pro CTC models feature warm (2400K), Medium (4000K) and Cold (6500K) LEDs for extended color temperature range and improved white light quality.

SUPERIOR TEMPERATURE CONTROL

Dedicated control channel to choose a color temperature from a warm 2400K up to a cold 6500 Kelvin.

SMART CONTROL

The integrated magnetic sensor is ideal for local diagnostics and focusing. Also included are RDM control and stand-alone programming via Martin Companion for easy configuration.

RESPONSIBLE CHOICE

Durable design for permanent outdoor installations, backed by a 5-year warranty, and meet rigorous environmental standards. Their compact, lightweight design minimizes environmental impact and shipping costs, they are fully repairable, and ship in full cardboard FSC-certified packaging.

TECHNICAL SPECIFICATIONS

DYNAMIC EFFECTS

Intensity: 0 - 100 %
Color temperature control: 2400 K - 6500 K

CONTROL AND PROGRAMMING

Control systems: DMX, RDM
User interface: Magnetic sensor for local diagnostics and focusing
Stand-alone control: Up to 20 scenes with individual fade/hold times
Control resolution: 8-bit DMX control of each color
Dimmer resolution: 16-bit DMX control of intensity
DMX channels: 3/3 (Standard/Basic)
DMX compliance: USITT DMX512/1990
RDM compliance: ANSI/ESTA E1.20
DMX/RDM Transceiver: Galvanic-isolated RS-485
Firmware update: Serial upload via DMX link

OPTICS

Light source: 5 x 2400K, 5 x 4000K,
6 x 6500 K white LEDs
Total LED power: 96 W (16 x 6 W)
LED Manufacturer: Cree
Minimum LED lifetime: 100 000 hours (to >70% luminous output)
Binning: Tight color and flux binning
**Figure obtained under manufacturer's test conditions at Ta = 25° C.*

BEAM ANGLE OPTIONS:

Native beam angle: 7°
Narrow micro lens: 9°
Medium micro lens: 15°
Wide micro lens: 30°
Very Wide micro lens: 50°
Asymmetric micro lens: 8° x 60°

PHOTOMETRIC DATA

CRI (Color Rendering Index): > 70
CCT: 2400K - 6500K (default 4000K)

LUMINOUS OUTPUT*

2400K: 2000 lm
4000K: 4600 lm
6500K: 3600 lm
** All Photometric Data measured in steady state (30 minutes warm-up time) at 25°C ambient.*

CONSTRUCTION

Housing: Cast Aluminum
Surface treatment: Anodized and electrostatic powder-coated
Color: Traffic grey RAL 7042 - other colors available on request
Effective Projected Area (EPA): 0.056 m² / 0.072 m²
Protection rating: IP66
Impact resistance: IK08
Corrosion resistance: C5 High (ISO 12944-6)
Vibration resistance: 1.0g, Sinusoidal (IEC 60068-2-6), 0.7g RMS Random (IEC 60068-2-64), 3.0g (ANSI C136-31)

INSTALLATION

Orientation: Any
Mounting: Adjustable bracket
Minimum distance to illuminated surfaces: 0.1 m (0.3 ft.)

Exterior Wash Pro M CTC

OUTDOOR RATED WASH LIGHT WITH COLOR TEMPERATURE CONTROL

SPEC SHEET

TECHNICAL SPECIFICATIONS (Cont.)

CONNECTIONS

Power connection: 2 m (6.5 ft.) cable tail open ended
Power input cable type, EU models: H07RN-F 3G 1.0mm², 450/750V, VDE
Power input cable type, US models: PVC SJTW 3x1.31mm² (16AWG)
105° C 300V VW-1
Data connection: 2 m (6.5 ft.) open ended 6-conductor
combined input + output cable tail

Hybrid power/data cables (in & thru) 8-pin custom connectors available on request

ELECTRICAL

AC power: 100 -240 / 277 V nominal, 50/60 Hz
Power supply unit: Auto-ranging electronic switch-mode
Typical half-cycle RMS inrush current: 12 A
Max earth leakage: 0.5 mA
Power factor: 0.99 @ 110 V / 120 V, 0.94 @ 208 V /
230V, 0.90 @ 277 V
Max current draw: 0.75 A @ 100 V, 0.62 A @ 120 V, 0.33 A @
230 V, 0.27 A @ 277 V
Surge protection: 4KV

POWER CONSUMPTION:

Maximum: 75 W (reduced mode 60W)^{*}
Idle: 2.5 W^{*}

** Measurements made at nominal voltage. Allow for a deviation of +/- 10%.
Idle: all LEDs at zero intensity*

THERMAL

Cooling: Convection
Maximum ambient temperature: 45° C (113° F)^{*}
Minimum ambient temperature: -30° C (-22° F)^{**}

Total heat dissipation
(calculated, +/- 10%): 256 BTU/hr

**Above this temperature, the fixture regulates output to protect from overheating.*

***Power must be maintained below -20° C (-4° F)*

ENVIRONMENTAL

RoHS: Compliant
REACH: Compliant
WEEE: Compliant
Proposition 65: Compliant
Packaging: FSC certified cardboard inlay
and outer box

Efficacy (max output): 63 lm/W
LWR: 603 lm/kg (273 lm/lb)^{*}
**LWR = Lumen-to-Weight Ratio*

APPROVALS

Global CB Certification/IECEE: IEC 60598-2-5 (IEC 60598-1)
EU Safety: EN 60598-2-5 (EN 60598-1),
EN 62471, EN 62493
EU EMC: EN 55015, EN 55032, EN55035,
EN 61547, EN 61000-3-2, EN 61000-3-3
US safety: ANSI/UL 1598
US EMC: 47 CFR Part 15 Class B
Canadian safety: CSA C22.2 No. 250.0
Australia/NZ: RCM
United Kingdom: UKCA
India: BIS IS 10322(Part5/section5) - Pending



RELATED ITEMS

- Martin Companion Cable:P/N MAR-91616091



Exterior Wash Pro M CTC

OUTDOOR RATED WASH LIGHT WITH COLOR TEMPERATURE CONTROL

SPEC SHEET

ORDERING INFORMATION - ACCESSORIES

- Micro Lens Pro M - Narrow:P/N MAR-90590031
- Micro Lens Pro M - Medium:P/N MAR-90590032
- Micro Lens Pro M - Wide:.....P/N MAR-90590033
- Micro Lens Pro M - Very Wide:P/N MAR-90590034
- Micro Lens Pro M- Asymmetric:.....P/N MAR-90590035
- Baffle Snoot Pro M CTC:P/N MAR-90590022
- Exterior Multitool:.....P/N MAR-90590025
- Hybrid PD cable tail In/Out 0.5 m, black:.....P/N MAR-91700020
- Hybrid PD cable tail In/Out 0.5 m, white:.....P/N MAR-91700022
- Attachment plate for safety wire.....P/N MAR-90590050



EXTERIOR MULTITOOl



BAFFLE SNOOT PRO M CTC



EXTERIOR WASH PRO MICRO LENS



ATTACHMENT PLATE FOR SAFETY WIRE INSTALLED

ORDERING INFORMATION - FIXTURES

- Exterior Wash Pro M CTC, EU, grey:P/N MAR-90590010
- Exterior Wash Pro M CTC, US, grey:P/N MAR-90590014



THE COMPLETE MARTIN EXTERIOR WASH PRO CTC LINE

Exterior Wash Pro M CTC

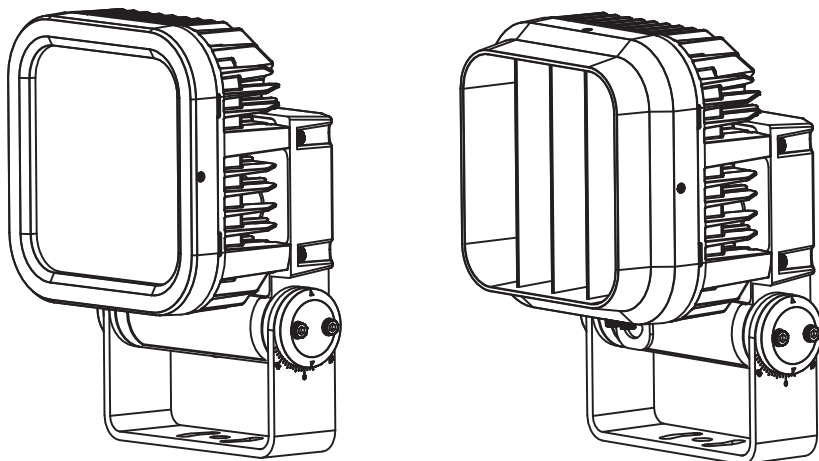
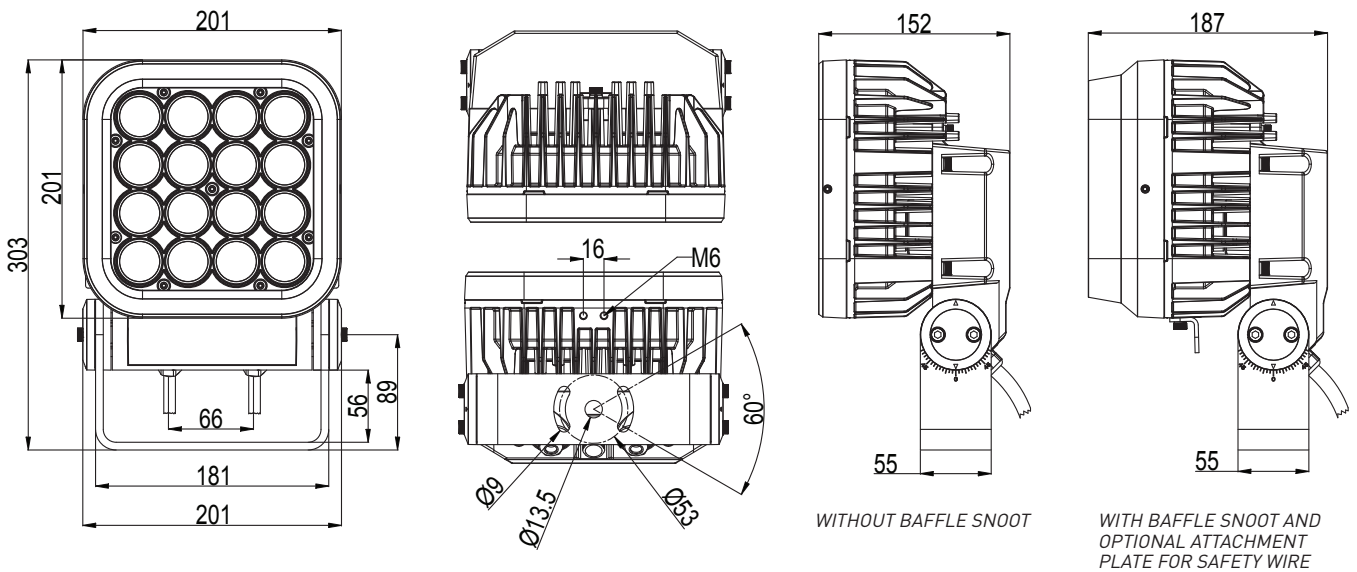
OUTDOOR RATED WASH LIGHT WITH COLOR TEMPERATURE CONTROL

SPEC SHEET

DIMENSIONS

PHYSICAL

Length: 152 mm (5.98 inch)
Width: 201 mm (7.91 inch)
Height: 303 mm (11.93 inch)
Weight: 7.3 kg (16.1 lbs)



All dimensions are in mm

HARMAN PROFESSIONAL INC. • 8500 BALBOA BOULEVARD • NORTHRIDGE • CA 91329 • USA • +1 818 893 8411

©2025 HARMAN Professional. All rights reserved. Martin[®] is a registered trademark of HARMAN Professional Inc. registered in the United States and/or other countries. Features, specifications, and appearance are subject to change without notice.

REV: 20250626

Martin[®]