

# Exterior Wash Pro S Quad

OUTDOOR-RATED QUAD COLOR WASH LIGHT WITH CREATIVE CONTROL

SPEC SHEET



Engineered for harsh conditions and creativity, **Exterior Wash Pro S QUAD** provides a logical, user-friendly and versatile lighting solution designed to illuminate smaller structures, features of a building and landscaping. Featuring external micro lenses and an optional baffle snoot, this fixture provides configurable beam control. The Exterior Wash Pro S QUAD features unparalleled color performance. The factory color calibration ensures superior color consistency and provides a dedicated color temperature control channel spanning from 1000K to 12,500K, precisely following the black-body curve. The integrated color boost technology encompassing smart ratio between LED capacity and PSU capacity results in saturated and mixed colors up to three times brighter than previous models. Designed for permanent outdoor installations and backed by a 5-year warranty, this fixture meets rigorous environmental standards.

## FEATURES

- **Logic family** of four sizes and lumen packages (S, M, L, XL)
- **Compact** and slim design
- **Superior color consistency** based on factory calibration
- **Color boost** for bright saturated and mixed colors
- Dedicated **color temperature control** channel
- **Narrow beam-angle** using high-power RGBW LEDs
- Optional **baffle snoot**
- Externally mounted **micro lens diffusers**
- **RDM and DMX** control
- **Local diagnostics** and focusing via magnetic sensor
- **Power and DMX IN/OUT** pre-mounted cables
- **Optional Hybrid IN/Out** cable solution
- **Fully weatherized** housing (IP66, IK08 and C-5 High corrosion rating)
- Shipped in **FSC certified cardboard** only packaging
- **5-year** warranty

HARMAN PROFESSIONAL INC. • 8500 BALBOA BOULEVARD • NORTHRIDGE • CA 91329 • USA • +1 818 893 8411

©2023 HARMAN Professional. All rights reserved. Martin® is a registered trademark of HARMAN Professional Inc. registered in the United States and/or other countries. Features, specifications, and appearance are subject to change without notice.

REV: 20231114

**Martin**®

# Exterior Wash Pro S Quad

OUTDOOR-RATED QUAD COLOR WASH LIGHT WITH CREATIVE CONTROL

SPEC SHEET

## FEATURE HIGHLIGHTS

### APPEALING DESIGN WITHIN A COHESIVE PRODUCT LINE

Choose from four sizes and lumen output packages that accommodate with integrated baffle snoot option for added versatility.

### PRECISE BEAM CONTROL

Achieve precise light control and high intensity, while minimizing stray light in long-range applications, thanks to a narrow beam angle.

### UNPARALLELED COLOR PERFORMANCE

Aesthetically pleasing appearance with seamless color mixing and color boost for up to 3 times brighter saturated and mixed colors.

### SOPHISTICATED COLOR CONTROL

Includes a dedicated control channel with a user-selectable default

color temperature from a warm 1000K up to a cold 12,500 Kelvin temperature, which follows the black body curve.

### SMART CONTROL

Easy local diagnostics and focusing using the integrated magnetic sensor. Easy configuration and stand-alone programming via Martin Companion.

### RESPONSIBLE CHOICE

Durable design for permanent outdoor installations, backed by a 5-year warranty, and meet rigorous environmental standards. Their compact, lightweight design minimizes environmental impact and shipping costs, they are fully repairable, and ship in full cardboard FSC-certified packaging.

## TECHNICAL SPECIFICATIONS

### DYNAMIC EFFECTS

Intensity: ..... 0 - 100 %  
Color mixing: ..... RGB + CTC (Color Temperature Control)  
Color temperature control: ..... 1000 K - 12500K in 50K steps

### CONTROL AND PROGRAMMING

Control systems: ..... DMX, RDM  
User interface: ..... Magnetic sensor for local diagnostics and focusing  
Stand-alone control: ..... Up to 20 scenes with individual fade/hold times  
Control resolution: ..... 8-bit DMX control of each color  
Dimmer resolution: ..... 16-bit DMX control of intensity  
DMX channels: ..... 6/3/7/4  
(Standard/Basic/Extended/Raw)  
DMX compliance: ..... USITT DMX512/1990  
RDM compliance: ..... ANSI/ESTA E1.20  
DMX/RDM Transceiver: ..... Galvanic-isolated RS-485  
Firmware update: ..... Serial upload via DMX link

### OPTICS

Light source: ..... 4 x high-power RGBW LEDs  
LED Manufacturer: ..... Osram  
Minimum LED lifetime: ..... 100 000 hours (to >70% luminous output)  
Binning: ..... Tight color and flux binning  
Calibration: ..... Full Gamut Color Calibration (1 step MacAdam ellipse)

\*Figure obtained under manufacturer's test conditions at  $T_a = 25^\circ C$ .

### BEAM ANGLE OPTIONS:

Native beam angle: .....  $8^\circ$   
Narrow micro lens: .....  $11^\circ$   
Medium micro lens: .....  $15^\circ$

Wide micro lens: .....  $30^\circ$   
Very Wide micro lens: .....  $50^\circ$   
Asymmetric micro lens .....  $8^\circ \times 50^\circ$

### PHOTOMETRIC DATA

CRI (Color Rendering Index): ..... > 70  
CCT: ..... 1000K - 12500K (Default 4000K)

### LUMINOUS OUTPUT\*:

Full: ..... 1500 lm  
Red: ..... 550 lm  
Green: ..... 1000 lm  
Blue: ..... 350 lm

\* All Photometric Data measured in steady state (30 minutes warm-up time) at  $25^\circ C$  ambient.

### CONSTRUCTION

Housing: ..... Cast Aluminum  
Surface treatment: ..... Anodized and electrostatic powder-coated  
Color: ..... Traffic grey RAL 7042 or Traffic white RAL 9016 - other colors available on request  
Effective Projected Area (EPA): .....  $0.026 \text{ m}^2 / 0.038 \text{ m}^2$   
Protection rating: ..... IP66  
Impact resistance: ..... IK08  
Corrosion resistance: ..... C5 High (ISO 12944-6)  
Vibration resistance: ..... 1.0g, Sinusoidal (IEC 60068-2-6), 0,7g RMS Random (IEC 60068-2-64), 3.0g (ANSI C136-31)

### INSTALLATION

Orientation: ..... Any  
Mounting: ..... Adjustable bracket  
Min. distance to illum. surfaces: ..... 0.1 m (0.3 ft.)

# Exterior Wash Pro S Quad

OUTDOOR-RATED QUAD COLOR WASH LIGHT WITH CREATIVE CONTROL

SPEC SHEET

## TECHNICAL SPECIFICATIONS (Cont.)

### CONNECTIONS

Power connection: ..... 2 m (6.5 ft.) cable tail open ended  
Power input cable type, EU models: .... H05RR-F 3G 1.5mm<sup>2</sup>, 300/500V, VDE  
Power input cable type, US models: .... PVC SJTW 3 x 1.31mm<sup>2</sup> (16AWG) 105° C  
300V VW-1  
Data connection: ..... 2 m (6.5 ft.) open ended 6-conductor  
combined input + output cable tail

*Hybrid power/data cables (in & thru) 8-pin custom connectors available on request*

### ELECTRICAL

AC power: ..... 100 -240 / 277 V nominal, 50/60 Hz  
Power supply unit: ..... Auto-ranging electronic switch-mode  
Typical half-cycle RMS inrush current: 12 A  
Max earth leakage: ..... 0.5 mA  
Power factor: ..... 0.99 @ 110 V / 120 V,  
0.94 @ 208 V / 230V, 0.92 @ 277 V  
Max current draw: ..... 0.35 A @ 100 V, 0.29 A @ 120 V,  
0.15 A @ 230 V, 0.13 A @ 277 V  
Surge protection: ..... 4KV

### POWER CONSUMPTION:

Maximum: ..... 35 W (Reduced mode 28W)<sup>\*</sup>  
Idle: ..... 2.0 W<sup>\*</sup>

*\* Measurements made at nominal voltage. Allow for a deviation of +/- 10%.  
Idle: all LEDs at zero intensity*

### THERMAL

Cooling: ..... Convection  
Maximum ambient temperature: ..... 45° C (113° F)<sup>\*</sup>  
Minimum ambient temperature: ..... -30° C (-22° F)<sup>\*\*</sup>

Total heat dissipation  
(calculated, +/- 10%): ..... 119 BTU/hr

*\*Above this temperature, the fixture regulates output to protect from overheating.*

*\*\*Power must be maintained below -20° C (-4° F)*

### ENVIRONMENTAL

RoHS: ..... Compliant  
REACH: ..... Compliant  
WEEE: ..... Compliant  
Proposition 65: ..... Compliant  
Packaging: ..... FSC certified cardboard inlay  
and outer box  
Efficacy (max output): ..... 43 lm/W  
LWR: ..... 340 lm/kg (154 lm/lb)<sup>\*</sup>

*\*LWR = Lumen-to-Weight Ratio*

### APPROVALS

Global CB Certification/IECEE: ..... IEC 60598-2-5 (IEC 60598-1)  
EU Safety: ..... EN 60598-2-5 (EN 60598-1),  
EN 62471, EN 62493  
EU EMC: ..... EN 55015, EN 55032, EN55035,  
EN 61547, EN 61000-3-2, EN 61000-3-3  
US safety: ..... ANSI/UL 1598  
US EMC: ..... 47 CFR Part 15 Class B  
Canadian safety: ..... CSA C22.2 No. 250.0  
Australia/NZ: ..... RCM  
United Kingdom: ..... UKCA  
India: ..... BIS IS 10322(Part5/section5) - Pending



## RELATED ITEMS

- Martin Companion Cable: ..... P/N MAR-91616091



# Exterior Wash Pro S Quad

OUTDOOR-RATED QUAD COLOR WASH LIGHT WITH CREATIVE CONTROL

SPEC SHEET

## ORDERING INFORMATION - ACCESSORIES

- Micro Lens Pro S - Narrow: .....P/N MAR-90590026
- Micro Lens Pro S - Medium: .....P/N MAR-90590027
- Micro Lens Pro S - Wide:.....P/N MAR-90590028
- Micro Lens Pro S - Very Wide: .....P/N MAR-90590029
- Micro Lens Pro S - Asymmetric:.....P/N MAR-90590030
- Baffle Snoot Pro S QUAD: .....P/N MAR-90590017
- Exterior Wash Pro Multitool:.....P/N MAR-90590025
- Hybrid PD cable tail In/Out 0.5 m, black:.....P/N MAR-91700020
- Attachment plate for safety wire.....P/N MAR-90590050



EXTERIOR WASH PRO MULTI-TOOL



BAFFLE SNOOT PRO S QUAD



EXTERIOR WASH PRO MICRO LENS



ATTACHMENT PLATE FOR SAFETY WIRE INSTALLED

## ORDERING INFORMATION - FIXTURES

- Exterior Wash Pro S QUAD, EU, grey: .....P/N MAR-90590001
- Exterior Wash Pro S QUAD US, grey: .....P/N MAR-90590005
- Exterior Wash Pro S QUAD, EU, white: .....P/N MAR-90590101



THE COMPLETE MARTIN EXTERIOR WASH PRO QUAD LINE

HARMAN PROFESSIONAL INC. • 8500 BALBOA BOULEVARD • NORTHRIDGE • CA 91329 • USA • +1 818 893 8411

©2023 HARMAN Professional. All rights reserved. Martin® is a registered trademark of HARMAN Professional Inc. registered in the United States and/or other countries. Features, specifications, and appearance are subject to change without notice.

REV: 20231114

**Martin**<sup>®</sup>

# Exterior Wash Pro S Quad

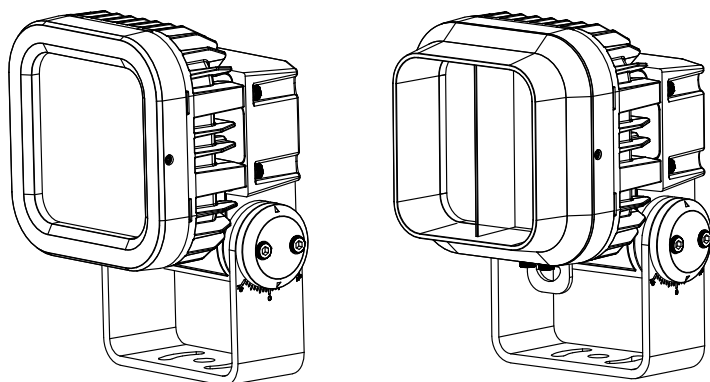
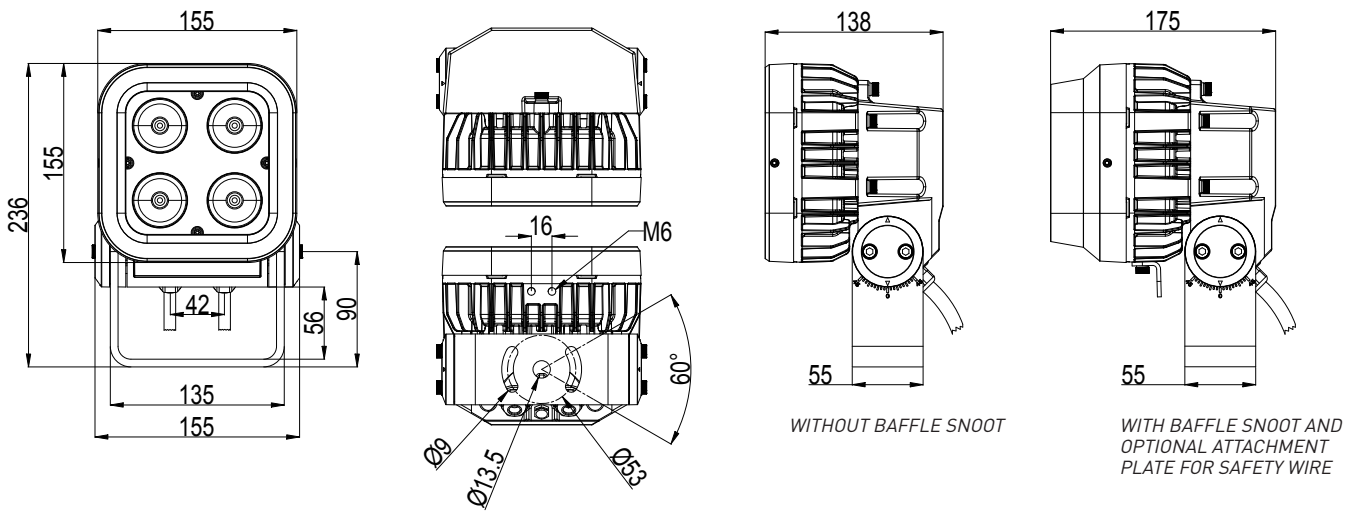
OUTDOOR-RATED QUAD COLOR WASH LIGHT WITH CREATIVE CONTROL

SPEC SHEET

## DIMENSIONS

### PHYSICAL

Length: ..... 138 mm (5.43 inch.)  
Width: ..... 155 mm (6.10 inch.)  
Height: ..... 236 mm (9.29 inch.)  
Weight: ..... 4.4 kg (9.7 lbs)



All dimensions are in mm

HARMAN PROFESSIONAL INC. • 8500 BALBOA BOULEVARD • NORTHRIDGE • CA 91329 • USA • +1 818 893 8411

©2023 HARMAN Professional. All rights reserved. Martin® is a registered trademark of HARMAN Professional Inc. registered in the United States and/or other countries. Features, specifications, and appearance are subject to change without notice.

REV: 20231114

