

# Exterior Wash Pro XL CTC

OUTDOOR-RATED WASH LIGHT WITH COLOR TEMPERATURE CONTROL

SPEC SHEET



Engineered for harsh conditions and creativity, **Exterior Wash Pro XL CTC** provides a logical, user-friendly and versatile lighting solution designed to illuminate large scale structures and building facades. Featuring external lenses and an optional baffle snoot, this fixture provides configurable beam control. Exterior Wash Pro XL CTC offers dedicated color temperature control from 2400K - 6500K. Designed for permanent outdoor installations and backed by a 5-year warranty, this fixture meets rigorous environmental standards.

## FEATURES

- **Logic family** of four sizes and lumen packages (S, M, L, XL)
- **Compact** and slim design
- **Extended color temperature control** from 2400K - 6500K
- **More than 60 lm/W** efficacy
- **Narrow** beam-angle using high-power LEDs
- Optional **baffle snoot**
- Externally mounted **micro lens diffusers**
- **RDM and DMX** control
- **Local diagnostics** and focusing via magnetic sensor
- **Power and DMX IN/OUT** pre-mounted cables
- **Optional Hybrid IN/OUT** cable solution
- **Fully weatherized** housing (IP66, IK08 and C-5 High corrosion rating)
- **5-year** warranty

HARMAN PROFESSIONAL INC. ■ 8500 BALBOA BOULEVARD ■ NORTHRIDGE ■ CA 91329 ■ USA ■ +1 818 893 8411

©2026 HARMAN Professional. All rights reserved. Martin® is a registered trademark of HARMAN Professional Inc. registered in the United States and/or other countries. Features, specifications, and appearance are subject to change without notice.

REV: 20260223

**Martin**®

# Exterior Wash Pro XL CTC

OUTDOOR-RATED WASH LIGHT WITH COLOR TEMPERATURE CONTROL

SPEC SHEET

## FEATURE HIGHLIGHTS

### LOGICAL AND COHESIVE PRODUCT FAMILY

Choose from four sizes and lumen output packages that accommodate various installations and budgets. Enjoy a compact, lightweight design with integrated baffle snoot option for added versatility.

### PRECISE BEAM CONTROL

Achieve precise light control and high intensity, while minimizing stray light in long-range applications, thanks to the narrow beam angle.

### EXTENDED COLOR TEMPERATURE RANGE

Exterior Wash Pro CTC models feature warm (2400K), Medium (4000K) and Cold (6500K) LEDs for extended color temperature range and improved white light quality.

### SUPERIOR TEMPERATURE CONTROL

Dedicated control channel to choose a color temperature from a warm 2400K up to a cold 6500 Kelvin.

### SMART CONTROL

The integrated magnetic sensor is ideal for local diagnostics and focusing. Also included are RDM control and stand-alone programming via Martin Companion for easy configuration.

### RESPONSIBLE CHOICE

Durable design for permanent outdoor installations, backed by a 5-year warranty, and meet rigorous environmental standards. Their compact, lightweight design minimizes environmental impact and shipping costs, they are fully repairable, and ship in full cardboard FSC-certified packaging.

## TECHNICAL SPECIFICATIONS

### DYNAMIC EFFECTS

Intensity: ..... 0 - 100 %  
Color temperature control: ..... 2400K - 6500K

### CONTROL AND PROGRAMMING

Control systems: ..... DMX, RDM  
User interface: ..... Magnetic sensor for local diagnostics and focusing  
Stand-alone control: ..... Up to 20 scenes with individual fade/hold times  
Control resolution: ..... 8-bit DMX control of each color  
Dimmer resolution: ..... 16-bit DMX control of intensity  
DMX channels: ..... 3/3 (Standard/Basic)  
DMX compliance: ..... USITT DMX512/1990  
RDM compliance: ..... ANSI/ESTA E1.20  
DMX/RDM Transceiver: ..... Galvanic-isolated RS-485  
Firmware update: ..... Serial upload via DMX link

### OPTICS

Light source: ..... 21 x 2400K, 21 x 4000K, 22 x 6500K white LEDs  
Total LED power: ..... 384 W (64 x 6 W)  
LED Manufacturer: ..... Cree  
Minimum LED lifetime: ..... 100 000 hours (to >70% luminous output)\*  
Binning: ..... Tight color and flux binning  
\*Figure obtained under manufacturer's test conditions at  $T_a = 25^\circ C$ .

### BEAM ANGLE OPTIONS:

Native beam angle: .....  $7^\circ$   
Narrow micro lens: .....  $9^\circ$   
Medium micro lens: .....  $15^\circ$   
Wide micro lens: .....  $30^\circ$   
Very Wide micro lens: .....  $50^\circ$   
Asymmetric micro lens .....  $8^\circ \times 60^\circ$

### PHOTOMETRIC DATA

CRI (Color Rendering Index): ..... > 70  
CCT: ..... 2400K - 6500K (default 4000K)

### LUMINOUS OUTPUT\*:

2400K: ..... 8200 lm  
4000K: ..... 17000 lm  
6500K: ..... 13000 lm

\* All Photometric Data measured in steady state (30 minutes warm-up time) at  $25^\circ C$  ambient.

### CONSTRUCTION

Housing: ..... Cast Aluminum  
Surface treatment: ..... Anodized and electrostatic powder-coated  
Color: ..... Traffic grey RAL 7042 - other colors available on request  
Effective Projected Area (EPA): .....  $0.149 \text{ m}^2 / 0.180 \text{ m}^2$   
Protection rating: ..... IP66  
Impact resistance: ..... IK08  
Corrosion resistance: ..... C5 High (ISO 12944-6)  
Vibration resistance: ..... 1.0g, Sinusoidal (IEC 60068-2-6), 0.7g RMS Random (IEC 60068-2-64), 3.0g [ANSI C136-31]

### INSTALLATION

Orientation: ..... Any  
Mounting: ..... Adjustable bracket  
Minimum distance to illuminated surfaces: ..... 0.4 m (1.3 ft.)

# Exterior Wash Pro XL CTC

OUTDOOR-RATED WASH LIGHT WITH COLOR TEMPERATURE CONTROL

SPEC SHEET

## TECHNICAL SPECIFICATIONS (Cont.)

### CONNECTIONS

Power connection: ..... 2 m (6.5 ft.) cable tail open ended  
Power input cable type, EU models: ..... H07RN-F 3G 1.0mm<sup>2</sup>, 450/750V, VDE  
Power input cable type, US models: ..... PVC SJTW 3x1.31mm<sup>2</sup> (16AWG)  
105° C 300V VW-1  
Data connection: ..... 2 m (6.5 ft.) open ended 6-conductor  
combined input + output cable tail

*Hybrid power/data cables (in & thru) 8-pin custom connectors available on request*

### ELECTRICAL

AC power: ..... 100 -240 / 277 V nominal, 50/60 Hz  
Power supply unit: ..... Auto-ranging electronic switch-mode  
Typical half-cycle RMS inrush current: 14 A  
Max earth leakage: ..... 0.5 mA  
Power factor: ..... 0.99 @ 110 V / 120 V, 0.96 @ 208 V /  
230V, 0.90 @ 277 V  
Max current draw: ..... 2.50 A @ 100 V, 2.1 A @ 120 V,  
1.1 A @ 230 V, 0.90 A @ 277 V  
Surge protection: ..... 4KV

### POWER CONSUMPTION:

Maximum: ..... 250 W (reduced mode 200W) \*  
Idle: ..... 4.0 W\*

*\* Measurements made at nominal voltage. Allow for a deviation of +/- 10%.  
Idle: all LEDs at zero intensity*

### THERMAL

Cooling: ..... Convection  
Maximum ambient temperature  
(Ta max.): ..... 45° C (113° F) \*  
Minimum ambient temperature  
(Ta min.): ..... -30° C (-22° F) \*\*  
Total heat dissipation  
(calculated, +/- 10%): ..... 853 BTU/hr

*\*Above this temperature, the fixture regulates output to protect from overheating.*

*\*\*Power must be maintained below -20° C (-4° F)*

### ENVIRONMENTAL

RoHS: ..... Compliant  
REACH: ..... Compliant  
WEEE: ..... Compliant  
Proposition 65: ..... Compliant  
Packaging: ..... FSC certified cardboard inlay  
and outer box

Efficacy (max output): ..... 70 lm/W  
LWR: ..... 960 lm/kg (436 lm/lbs)\*  
*\*LWR = Lumen-to-Weight Ratio*

### APPROVALS

Global CB Certification/IECEE: ..... IEC 60598-2-5 (IEC 60598-1)  
EU Safety: ..... EN 60598-2-5 (EN 60598-1),  
EN 62471, EN 62493  
EU EMC: ..... EN 55015, EN 55032, EN55035,  
EN 61547, EN 61000-3-2, EN 61000-3-3  
US safety: ..... ANSI/UL 1598  
US EMC: ..... 47 CFR Part 15 Class B  
Canadian safety: ..... CSA C22.2 No. 250.0  
Australia/NZ: ..... RCM  
India: ..... BIS IS 10322(Part5/section5) - Pending  
Korea: ..... KS C 9832, KS C 9835



## RELATED ITEMS

- Martin Companion Cable: .....P/N MAR-91616091



# Exterior Wash Pro XL CTC

OUTDOOR-RATED WASH LIGHT WITH COLOR TEMPERATURE CONTROL

SPEC SHEET

## ORDERING INFORMATION - ACCESSORIES

- Micro Lens Pro XL - Narrow: .....P/N MAR-90590041
- Micro Lens Pro XL - Medium: .....P/N MAR-90590042
- Micro Lens Pro XL - Wide:.....P/N MAR-90590043
- Micro Lens Pro XL - Very Wide: .....P/N MAR-90590044
- Micro Lens Pro XL - Asymmetric:.....P/N MAR-90590045
- Baffle Snoot Pro XL CTC: .....P/N MAR-90590024
- Exterior Multitool:.....P/N MAR-90590025
- Hybrid PD cable tail In/Out 0.5 m, black:.....P/N MAR-91700020
- Hybrid PD cable tail In/Out 0.5 m, white:.....P/N MAR-91700022
- Attachment plate for safety wire: .....P/N MAR-90590050
- Junction Box Power DMX to PD: .....P/N MAR-91700019



EXTERIOR MULTITOOL



BAFFLE SNOOT PRO XL CTC



EXTERIOR WASH PRO MICRO LENS



ATTACHMENT PLATE FOR SAFETY WIRE INSTALLED

## ORDERING INFORMATION - FIXTURES

- Exterior Wash Pro XL CTC, EU, grey: .....P/N MAR-90590012
- Exterior Wash Pro XL CTC, US, grey: .....P/N MAR-90590016

MARTIN EXTERIOR  
WASH PRO XL CTC



THE COMPLETE MARTIN EXTERIOR WASH PRO CTC LINE

HARMAN PROFESSIONAL INC. • 8500 BALBOA BOULEVARD • NORTHRIDGE • CA 91329 • USA • +1 818 893 8411

©2026 HARMAN Professional. All rights reserved. Martin® is a registered trademark of HARMAN Professional Inc. registered in the United States and/or other countries. Features, specifications, and appearance are subject to change without notice.

REV: 20260223



# Exterior Wash Pro XL CTC

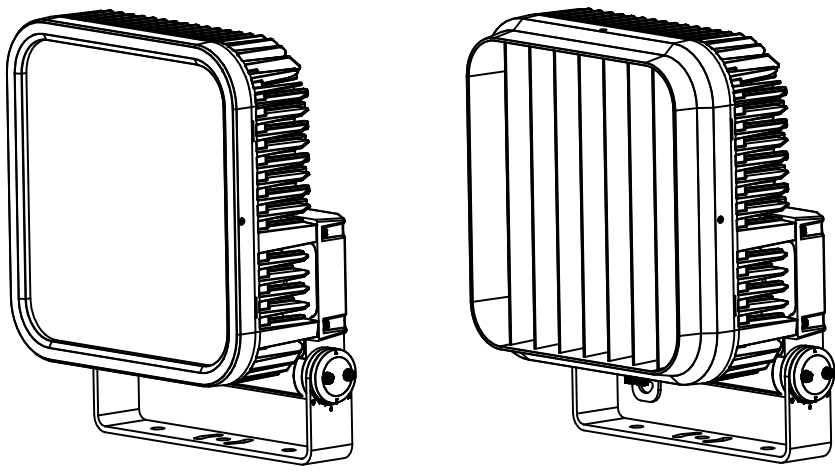
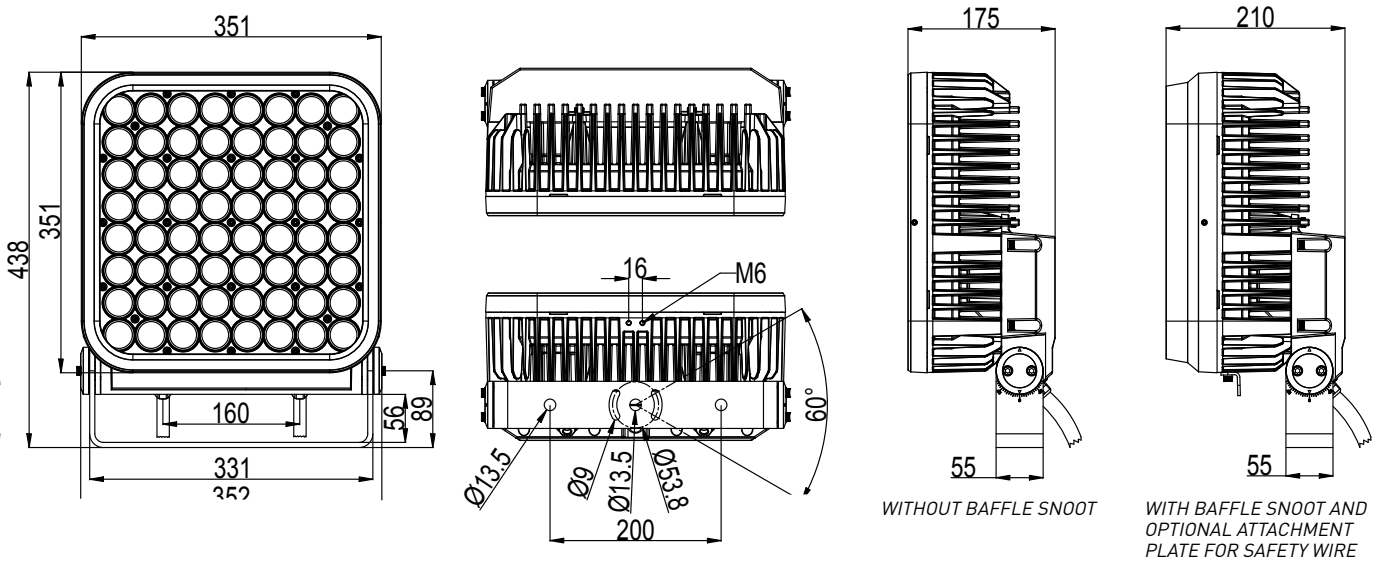
OUTDOOR-RATED WASH LIGHT WITH COLOR TEMPERATURE CONTROL

SPEC SHEET

## DIMENSIONS

### PHYSICAL

Length: ..... 175 mm (6.89 in.)  
Width: ..... 351 mm (13.82 in.)  
Height: ..... 438 mm (17.24 in.)  
Weight: ..... 17.7 kg (39.0 lbs.)



All dimensions are in mm

HARMAN PROFESSIONAL INC. • 8500 BALBOA BOULEVARD • NORTHRIDGE • CA 91329 • USA • +1 818 893 8411

©2026 HARMAN Professional. All rights reserved. Martin® is a registered trademark of HARMAN Professional Inc. registered in the United States and/or other countries. Features, specifications, and appearance are subject to change without notice.

REV: 20260223

