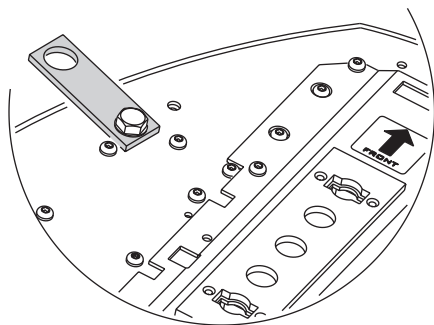


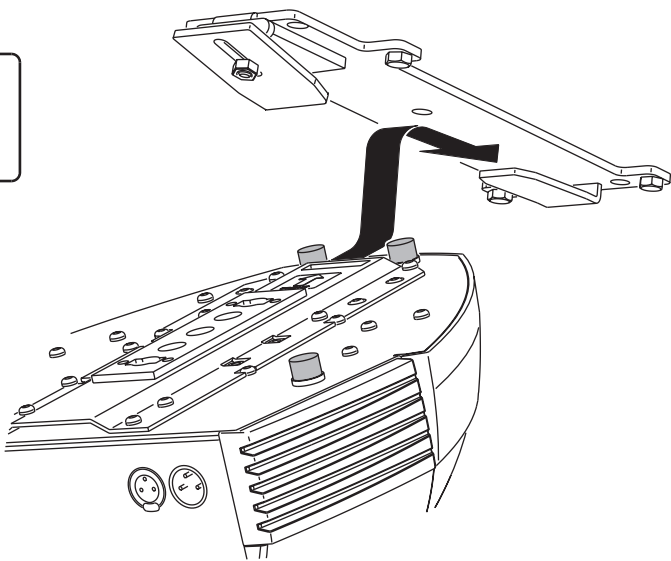
Installing the flush-mount bracket

1. Attach the flush-mount bracket to a flat solid surface such as a wall or ceiling. Note that if you are attaching the flush-mount bracket to a vertical surface, its long axis must also be vertically aligned, with the fixed flange at the bottom. When attaching the flush-mount bracket to a:
 - Wall, use five counter-sunk screws with rawl plugs, and fasten using the corresponding 6 mm. Holes in the bracket (one in the center and four at the extremities).
 - Metal or concrete surface, use four M8 bolts, and fasten using the corresponding 8 mm. Holes at the extremities of the bracket.

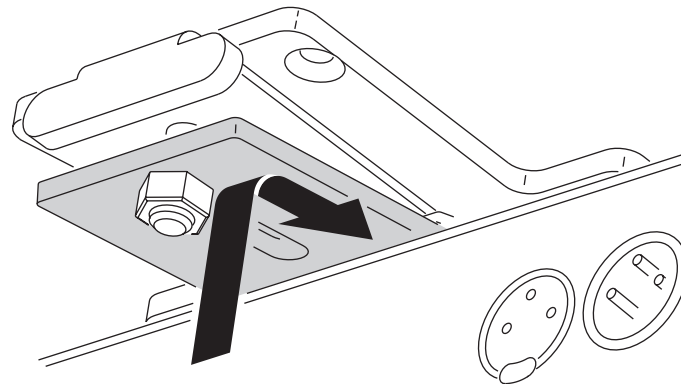
2. Turn the fixture upside down and attach the safety-cable bracket (supplied with the flush-mount bracket).



3. Take the fixture and slide the front end of its chassis plate (identified by the "FRONT" label) over the flange on the flush-mount bracket.



4. Press the fixture flat against the flush-mount bracket, and slide the lock plate into the other end of the fixture's chassis plate.



5. Secure the lock plate using the supplied lock nut.

