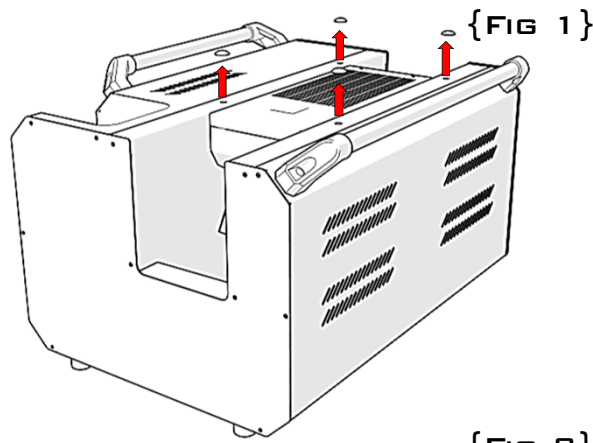


INSTRUCTIONS

JEM K1 HAZER / HAZER PRO FLYING KIT



{FIG 1}

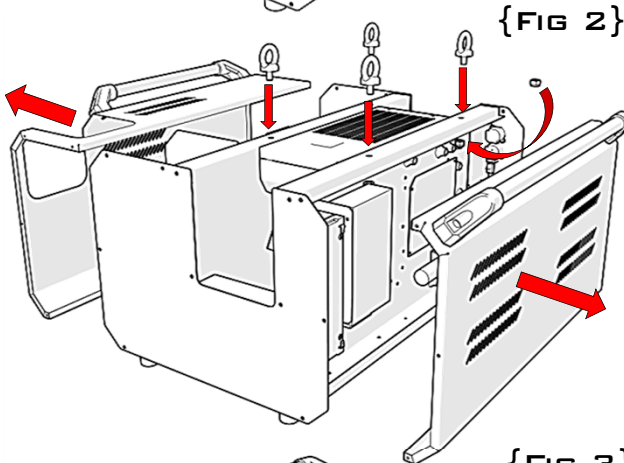
← K1 HAZER INSTRUCTIONS:

REMOVE THE PLASTIC BLANKING PLUGS FROM THE TOP OF THE MACHINE.

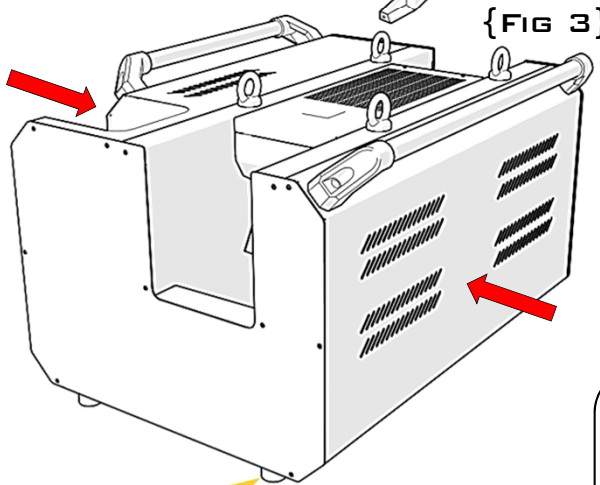
REMOVE THE SIDE PANELS OF THE MACHINE {FIG. 2}.

INSERT THE 4X EYE BOLTS IN TO THE FOUR HOLES ON TOP OF THE MACHINE AND SECURE USING THE 4X NYLOC NUTS FROM INSIDE THE MACHINE.

ORIENTATE THEM INTO THE CORRECT POSITIONS {FIG. 3} AND REPLACE THE SIDE PANELS.



{FIG 2}



{FIG 3}

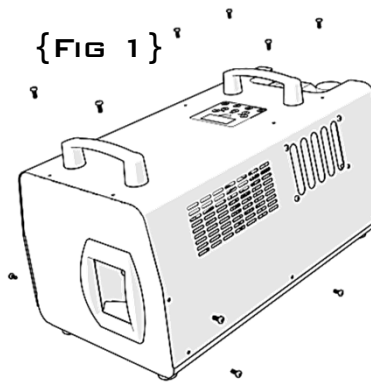
HAZER PRO → INSTRUCTIONS:

REMOVE THE SCREWS FROM THE TOP COVER OF THE MACHINE {FIG 1}.

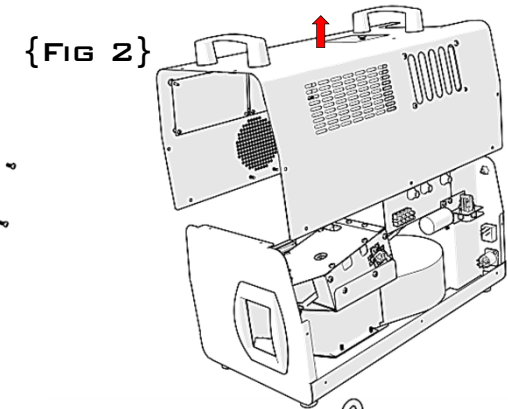
REMOVE THE COVER AND REMOVE THE 4X BOLTS/NUTS THAT RETAIN THE HANDLES {FIG 3}.

INSERT THE 4X EYE BOLTS IN TO THE FOUR HOLES ON TOP OF THE COVER AND SECURE USING THE 4X NYLOC NUTS FROM INSIDE THE COVER {FIG 4}.

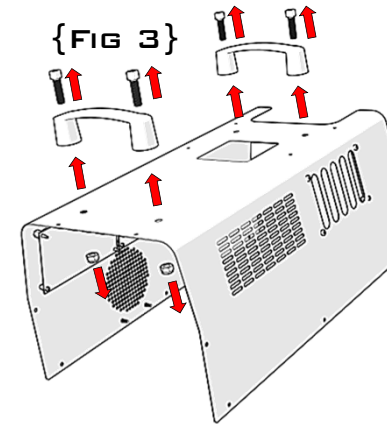
ORIENTATE THEM INTO THE CORRECT POSITIONS AND REPLACE THE TOP COVER {FIG 5}.



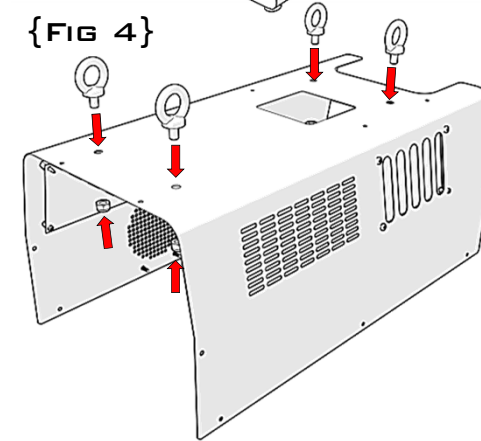
{FIG 1}



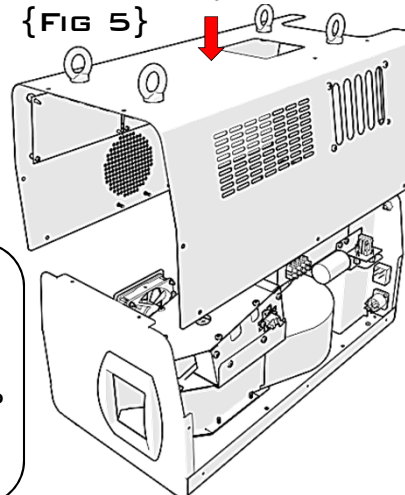
{FIG 2}



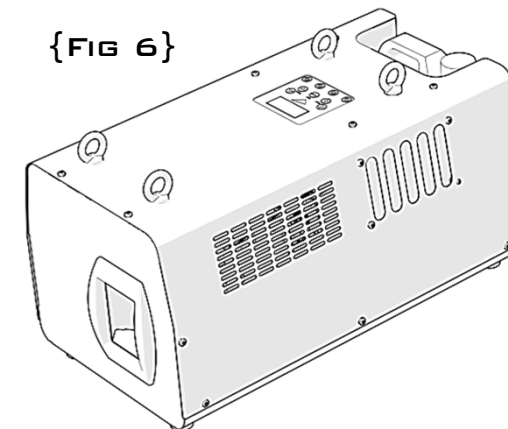
{FIG 3}



{FIG 4}



{FIG 5}



{FIG 6}

WARNING!

DO NOT SUSPEND THE MACHINE OVERHEAD.
ENSURE THAT THE FIXINGS USED TO SUSPEND THE MACHINE ARE ADEQUATE TO SUPPORT THE WEIGHT.

Martin
by HARMAN

OLOF PALMES ALLE 18 DK-8200 AARHUS N

PHONE +45 87 40 00 00 FAX +45 87 40 00 10 INTERNET WWW.MARTIN.COM

THIS DOCUMENT P/N 35010503-B