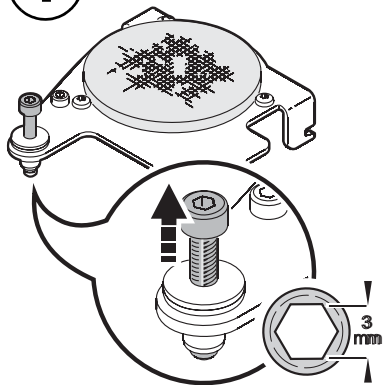
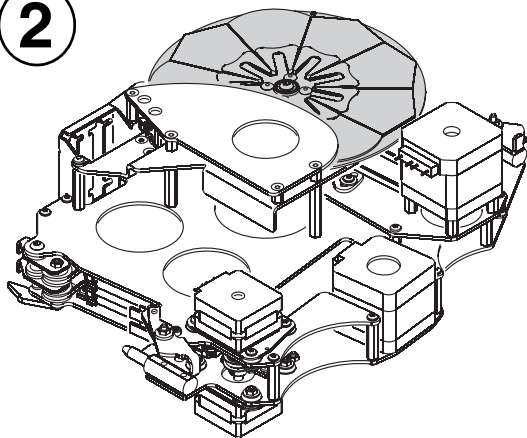


1

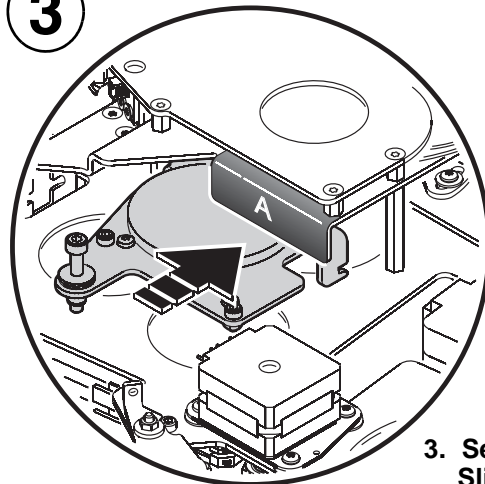


1. See left. Ensure that the 3 mm Allen screw on the filterholder is loosened so that its end is flush with the filterholder.
2. See below left. Remove the effects module (see user manual page 20) and place on a flat surface, color wheel up.

2

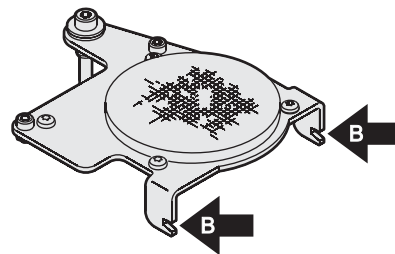


3

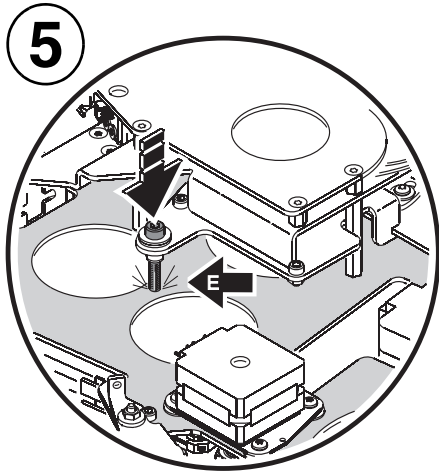
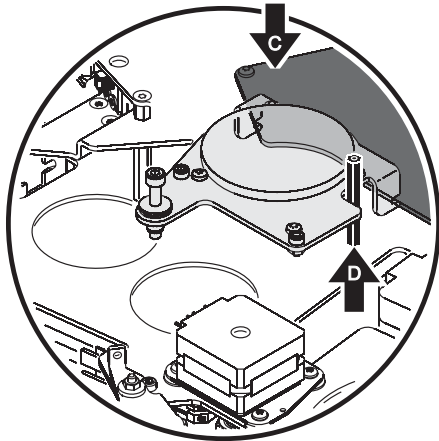


3. See above left. Slide frost filterholder in under tab A.

4



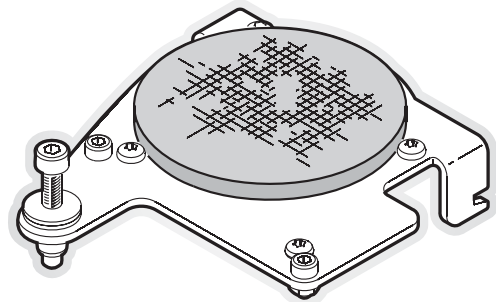
4. See left and overleaf. Ensure that slots B engage in plate C and filterholder fits against pillar bolt D.



5. See left. Fully tighten the Allen screw in the filter-holder. The screw will press against plate E. The frost filter is now installed.

MAC 700 Wash Frost filter

Installation note



**Martin**

©2007 Martin Professional A/S. All rights reserved.
P/N 35000591 Rev. A
