

# VC-Grid™ and VC-Strip™ Lens Array Installation Guide

## Safety information



**Warning!** Read the following information and read the safety precautions in the products' user documentation before installing products in the Martin VC™ family and Martin™ Lens Array accessories. User documentation is supplied with products, but check that you have the latest documents. These are available for download from the Product Support pages at [www.martin.com](http://www.martin.com)



**Warning!** Accessories must be installed by qualified professional technicians only. Respect all locally applicable safety and building regulations must be respected. Check that the mounting surface can safely support the weight of all the items you intend to install on it. Lock out power to the installation before starting work.

Install, operate and service Martin™ products and accessories only as described in their user documentation, or you may create a safety risk or cause damage that is not covered by product warranties. If you have any questions about how to install, operate or service any Martin™ product safely, please contact your local Martin Professional™ distributor (see [www.martin.com/distributors](http://www.martin.com/distributors) for details) or call the Martin™ 24-hour service hotline on +45 8740 0000, or in the USA on 1-888-tech-180.

## Dimensions

Dimensions are in millimeters

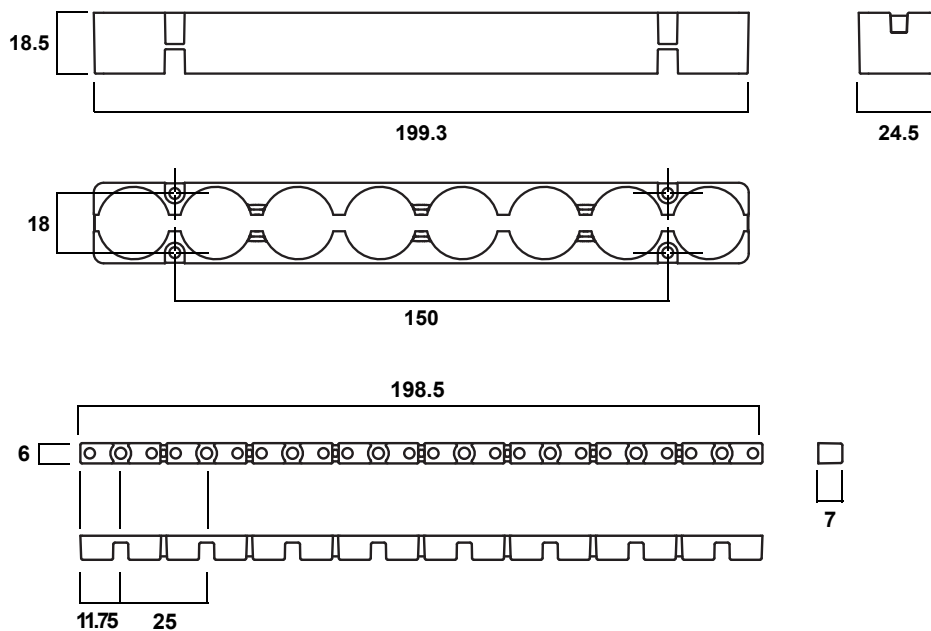


Figure 1. Lens array and mounting rib dimensions

# Introduction

This guide explains how to install Martin™ Lens Array accessories on Martin VC-Grid™ and VC-Strip™ LED display products with a 25 mm pixel pitch. The lenses concentrate the light output into a narrower angle, giving more powerful output in front of the LEDs

The Lens Arrays with their mounting ribs must be fastened to VC-Grids and VC-Strips that are mounted on surfaces using Martin VC-Grid/Strip Mounting Frames.

## Important!

- **The VC-Grid and VC-Strip are sensitive to electrostatic discharge. Hold them by the edges of the PCBs and avoid contact with circuits and electronic components.**
- **Do not try to bend a VC-Grid or VC-Strip.**
- **Use the supplied screws and plastic washers to fasten products. Do not tighten a screw onto a PCB without a plastic washer under the screw head, or you may cause damage to PCB circuits that is not covered by the product warranty. Do not over-tighten screws.**

## Installing Lens Arrays on VC-Grids

To install a Lens Array on a VC-Grid, see Figure 2:

1. Check that the installation is isolated from power and that power cannot be connected.
2. Prepare VC Mounting Frames for fastening to the installation surface as directed in the installation guide supplied with the frames.
3. Make connections as directed in the VC-Grid user manual.
4. Fasten two mounting ribs to each VC-Grid and at the same time fasten the VC-Grid to the Mounting Frame by passing screws **A** (supplied with Mounting Frames) through the mounting rib, through the VC-Grid and into the Mounting Frame.
5. Position Lens Arrays so that lenses are directly over LEDs on the VC-Grid. Fasten the Lens Arrays onto the mounting ribs using screws **B** (supplied with Lens Arrays).

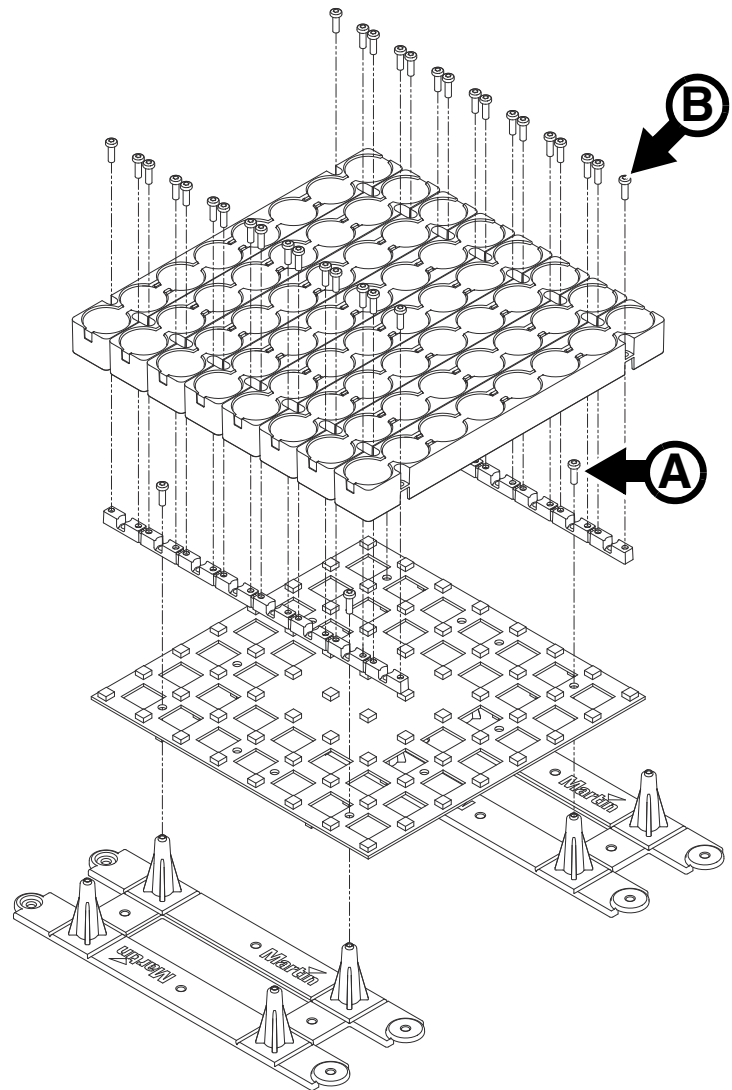


Figure 2. Installing Lens Arrays on a VC-Grid 8x8 25

# Installing Lens Arrays on VC-Strips

To install a Lens Array on a VC-Strip:

1. Check that the installation is isolated from power and that power cannot be connected.
2. Prepare VC Mounting Frames for fastening to the installation surface as directed in the installation guide supplied with the frames.
3. See **A** in Figure 4. Mounting ribs are designed so that they can be cut into sections and used to mount Lens Arrays on VC-Strips.

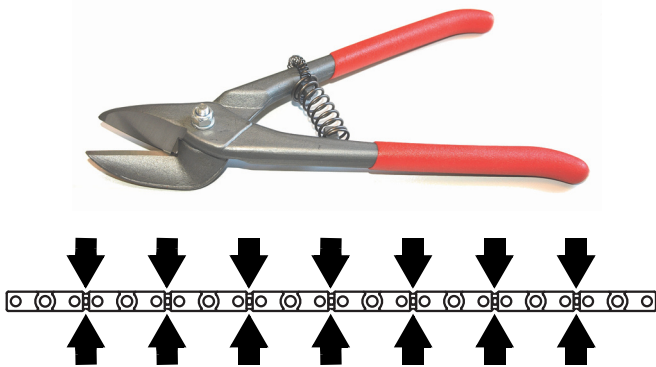


Figure 3. Cutting mounting ribs

4. See Figure 3. Cut mounting ribs with tin snips along the lines arrowed so that you have two mounting rib sections per Lens Array.
5. Make connections as directed in the VC-Strip user manual.
6. See Figure 4. Fasten mounting rib sections to each VC-Strip and at the same time fasten the Mounting Frame by passing screws **B** (supplied with Mounting Frames) through the mounting rib, through the VC-Strip and into the Mounting Frame.
7. Position Lens Arrays so that their lenses are directly over the LEDs on the VC-Strip and fasten the Lens Arrays onto the mounting ribs using screws **C** (supplied with Lens Arrays).

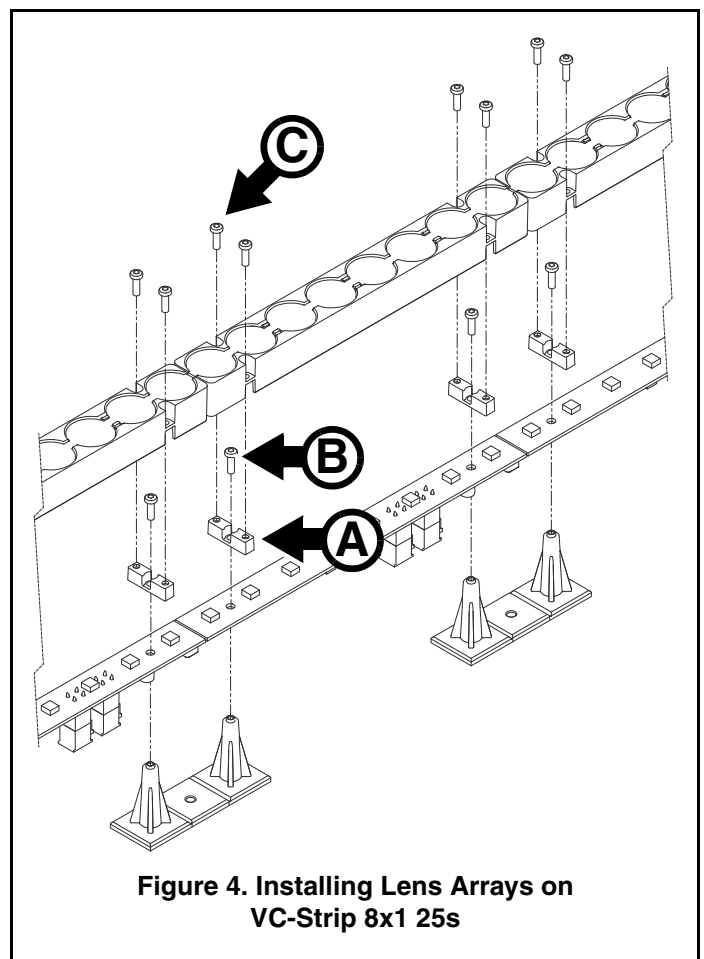


Figure 4. Installing Lens Arrays on VC-Strip 8x1 25s

## Ordering information

VC-Grid™/Strip™ 25 Mounting Frames, set of 10 . . . . . P/N 91611370  
VC-Grid™/Strip™ 25 Lens Arrays, Narrow, set of 8 (includes two mounting ribs) . . . . . P/N 91611540



---

Martin Professional • Olof Palmes Allé 18 • 8200 Aarhus N • Denmark  
Tel: +45 8740 0000 • Fax +45 8740 0010 • [www.martin.com](http://www.martin.com)

© 2014 Martin Professional ApS. Information subject to change without notice. Martin Professional and all affiliated companies disclaim liability for any injury, damage, direct or indirect loss, consequential or economic loss or any other loss occasioned by the use of, inability to use or reliance on the information contained in this document. The Martin logo, the Martin name and all other trademarks in this document pertaining to services or products by Martin Professional or its affiliates and subsidiaries are trademarks owned or licensed by Martin Professional or its affiliates or subsidiaries.

P/N 35000644, Rev. A