

MAC Ultra Wash

User Guide



Martin[®]
by HARMAN

User Documentation update information

Any important changes in the MAC Ultra Wash User Guide are listed below.

Revision A

First version released. Covers MAC Ultra Wash firmware version 1.0.0

©2020-2021 HARMAN PROFESSIONAL DENMARK ApS. All rights reserved. Features, specifications and appearance are subject to change without notice. HARMAN PROFESSIONAL DENMARK ApS and all affiliated companies disclaim liability for any injury, damage, direct or indirect loss, consequential or economic loss or any other loss occasioned by the use of, inability to use or reliance on the information contained in this document. Martin is a registered trademark of HARMAN PROFESSIONAL DENMARK ApS registered in the United States and/or other countries.

HARMAN PROFESSIONAL DENMARK ApS, Olof Palmes Allé 44, 8200 Aarhus N, Denmark
HARMAN PROFESSIONAL SOLUTIONS U.S., 8500 Balboa Blvd., Northridge CA 91329, USA

www.martin.com

Contents

Introduction	4
Operating the fixture	4
Effects	6
Shutter and strobe effects	6
Dimming	6
Color mixing	6
Color temperature control	6
Color wheel	6
Frost	7
Iris	7
Zoom and focus / edge control	7
Hyperzoom	7
Pan and tilt	7
LED PWM frequency control	8
Pre-programmed FX	8
Control panel	9
Control options	11
DMX	11
P3 video	11
RDM	12
Fixture setup	15
Fixture ID	15
Personality	15
Managing fixture settings	17
Fixture information readouts	18
Temperatures	18
DMX signal monitoring	18
Test sequences	18
Manual control	19
Service	19
Adjusting settings via DMX	20
Resetting	20
Illuminating the display	20
Control menu setting overrides	20
Adjusting calibration offsets via DMX	20
DMX protocol	22
Control panel menus	26
Service and display messages	31
Warning messages	31
Error messages	32

Introduction



Warning! Before installing, operating or servicing the MAC Ultra Wash lighting fixture, read the latest version of the fixture's Safety and Installation Manual, paying particular attention to the Safety Precautions section. The Safety and Installation Manual is supplied with the fixture. The latest version is also available for download from the MAC Ultra Wash area of the Martin® website at www.martin.com.

Thank you for selecting a MAC Ultra Wash moving head lighting fixture from Martin®.

This User Guide is a supplement to the Installation and Safety Manual that is supplied with the fixture. Both these documents are available for download from the MAC Ultra Wash area of the Martin website at www.martin.com. This User Guide contains information that is mainly of interest for lighting designers and operators, whereas the Safety and Installation Manual contains important information for all users, especially installers and technicians.

We recommend that you check the Martin website regularly for updated documentation, because we publish revised versions each time we can improve the quality of the information we provide and each time we release new firmware with changes or new features. Each time we revise this guide we list any important changes on page 2 so that you can keep track of updates.

The MAC Ultra Wash moving-head spotlight offers the following features:

- Bright 1150 W light engine
- Fixture output of 63 500 lumens
- High-contrast, flat-field optics
- Exceptionally low noise
- Full-range dimming with four dimming curve options
- Electronic shutter effect with variable speed regular and random strobe
- CMY color mixing
- Continuously variable Color Temperature Control from 6000 to 2850 K
- 6-slot color wheel including spectral enhancement filter for added color choice and split color effects
- Iris with continuous adjustment and pulse effects
- Frost effect for smooth wash effects
- 1:7 fast-action zoom with 1:10 Hyperzoom feature (from firmware v. 1.1.0)
- Motorized focus that adjusts softness of beam edge with zoom/focus tracking option
- 540° of pan and 268° of tilt with user-settable pan and tilt limits
- Followspot functionality with integrated handles
- Standard DMX, Art-Net and sACN control, RDM monitoring and setup
- Integration with Martin P3 system controllers for video mapping of intensity, color or both
- Variable crossfading between DMX and video control
- Martin P3 system controllers feature remote setup, patching and monitoring
- Backlit graphic display
- Disposable lithium battery allowing fixture setup without mains power

Operating the fixture

Before applying power to or operating the MAC Ultra Wash:

- Read the 'Safety Information' section of the fixture's Safety and Installation Manual that is supplied with the fixture and available for download from the Martin website at www.martin.com.
- Check that the installation is safe and secure.
- If the fixture is moved from a cold to a warm environment, remove it from its flightcase or packaging and give it at least two hours to acclimatize before applying power. This will help to avoid damage due to condensation.
- Check that the fixture is in perfect condition. Do not apply power to a fixture that is obviously damaged, or you may create a safety risk and make the damage worse.

- Check that the base is fastened securely so that the torque reaction when the head moves will not cause the base to move.
- Check that the head tilt lock is released.
- Be prepared for the head to move suddenly. Check that there will be no risk of collision with persons or objects.
- Be prepared for the fixture to light up suddenly. Check that no-one is looking at the fixture from close range.

The fixture does not have an On/Off switch. To apply power to the fixture, connect the power input cable to a source of AC power that is within the range 200-240 V (nominal), 50/60 Hz. The fixture's Neutrik powerCON TRUE1 TOP connectors can also be connected live or under load.

Note that whenever power is applied to the fixture, it will reset all effects and functions to their home positions and the fixture head will move. This process takes several seconds.

Effects

This section gives details of the effects available in the MAC Ultra Wash. See the DMX protocol table on page 22 for a list of channels and commands used to control the effects via DMX.

Where fine control is available, the main control channel sets the first 8 bits (the most significant byte or MSB), and the fine channels set the second 8 bits (the least significant byte or LSB) of the 16-bit control byte. In other words, the fine channel works within the position set by the coarse channel.

Shutter and strobe effects

The fixture's electronic shutter effect provides instant blackout and snap open as well as regular or random strobe and pulse effects with variable speed from approx. 1 Hz to 20 Hz.

Dimming

Smooth 0-100% overall dimming is available with 16-bit control resolution. Four dimming curves are available (see Figure 3 on page 16).

Color mixing

The fixture features dichroic CMY color filters, with 16-bit continuous color mixing available on six DMX channels.

Color temperature control

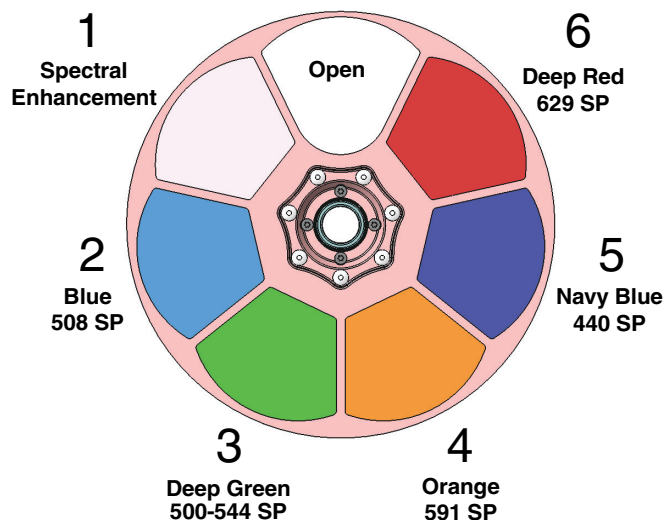
16-bit color temperature control is available on two dedicated CTO channels. You can adjust the fixture's color temperature smoothly and continuously from 6000 K to 2850 K.

Color wheel

The fixture provides a color wheel that lets you select from six dichroic color filters plus open (see Figure 1).

The color wheel can be scrolled continuously with variable speed and direction.

All color filters are interchangeable.



Wheel seen from LED side

Figure 1: Color wheel

Frost

The fixture has a frost effect that can be inserted into the beam to increase the smoothness of the washlight projection.

The frost effect slightly reduces the zoom range available. With the frost effect applied it is possible to achieve a beam (half-peak) angle of approximately 8° - 38°.

Iris

The iris can be varied continuously to smoothly reduce the diameter of the beam.

Opening and closing pulse effects with variable speed are also available.

Zoom and focus / edge control

Adjusting focus lets you vary the softness of the edge of the projected beam and wash field. Note that there will always be some degree of softness at the edge of the beam.

The MAC Ultra Wash's zoom lens varies the beam angle from 7° to 47° (half peak). Wide zoom angles allow a more clearly defined beam edge on projection surfaces close to the fixture. At narrower zoom angles, a more clearly defined edge is only possible further from the fixture.

Applying the frost effect limits the zoom angle slightly (see "Frost" section above).

Zoom/focus linking

Focus varies with zoom angle, but focus can be linked to zoom so that it automatically adjusts to match changes in zoom angle.

Linked zoom/focus works within 3 distance ranges: close, medium and long-range. The ranges are as follows (figures are approximate):

- Close (5 - 10 meters / 16.5 - 33 ft.)
- Medium (10 - 20 meters / 33 - 66 ft.)
- Long (20 meters - infinity / 66 ft. - ∞)

To link zoom and focus, select a distance range using the Control/Settings DMX channel or **FOCUS TRACKING** in the control panel **PERSONALITY** menu. Then adjust focus to obtain the required degree of softness in the wash field and at the beam edge. Linking is now enabled and focus will auto-adjust to match changes in zoom angle.

Hyperzoom

From firmware version 1.1.0 (due to be released in the first half of 2021), the MAC Ultra Wash features a Hyperzoom function that deploys the iris to extend the zoom range to achieve narrower beam angles. When Hyperzoom is enabled using the Control/Settings DMX channel, the fixture gradually closes the iris to tighten the beam as you zoom towards Narrow on the Zoom DMX channel.

When Hyperzoom is enabled and zoom is set to narrow, the usable range of the iris that is available on the Iris DMX channel is reduced.

Pan and tilt

The MAC Ultra Wash offers 540° of pan and 268° of tilt.

16-bit pan and tilt control are available. In each case, the second (LSB) DMX channel adjusts the position set on the first (MSB) channel.

It is possible to set limits for the pan and tilt range (see details on page 15).

LED PWM frequency control

The PWM frequency of the MAC Ultra's LEDs has been chosen carefully to avoid flickering on camera. In some rare situations – for example when using cameras with non-standard settings – it may be necessary to adjust the LED PWM frequency manually.

From firmware version 1.2.0 (due for release mid-2021), you can do this via DMX by sending value 255 on either the FX1 Selection or the FX2 Selection channel. Once activated, the corresponding FX Speed and Direction channel will control the LED PWM frequency. Note that this change is not stored permanently in the fixture, so you have to keep the FX Selection and FX Speed/Direction channels at the chosen values in order to keep the LED PWM frequency at the corresponding custom value.

The default PWM frequency is 3000 Hz.

Pre-programmed FX

From firmware version 1.2.0 (due for release mid-2021), the MAC Ultra Wash offers a range of pre-programmed effect macros that we simply call FX.

FX give instant access to complex dynamic effects with no need for time-consuming programming at the controller.

Control panel

You can configure individual fixture settings (such as the fixture's DMX address), read out data, execute service operations and view error messages using the fixture's backlit graphic display and control panel.

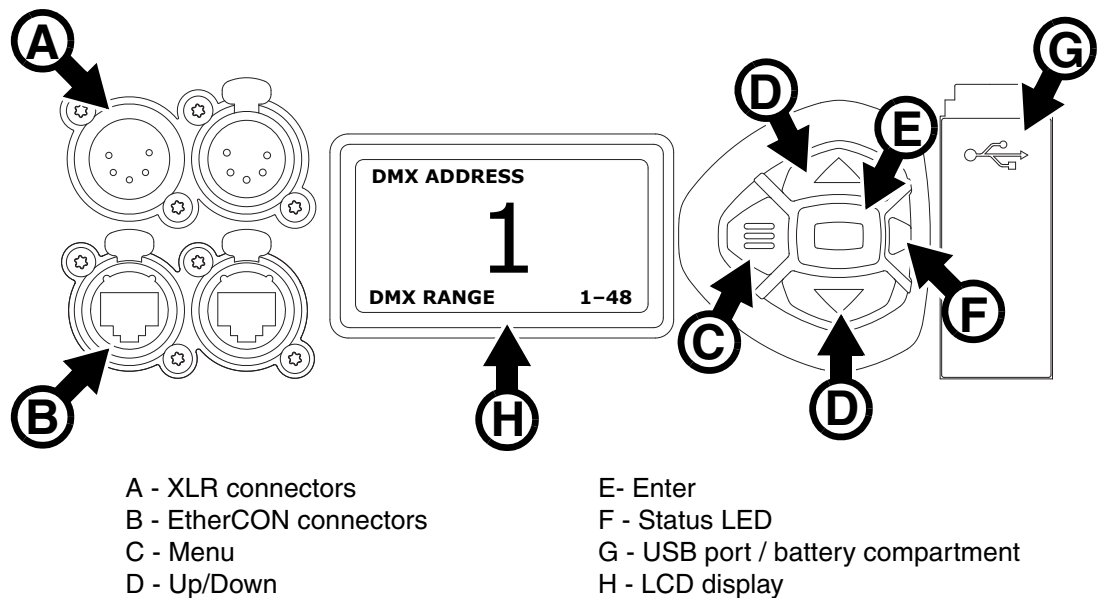


Figure 2: Display and control panel

When the MAC Ultra Wash is powered on, it first boots and resets, then it displays its DMX address (or its fixture ID number, if one has been set) and any status messages (see page 31) in the display **H**.

The display can be set to automatically rotate to match standing or hanging fixture orientation in the **PERSONALITY** → **DISPLAY** menu or the Shortcuts menu (see "Shortcuts" on page 10).

Using the control panel

- Press the MENU button **C** or Enter button **E** to access the menus.
- Use the UP and DOWN buttons **D** to scroll up and down menus.
- Press the ENTER button **E** to enter a menu or make a selection.
- The currently selected item in a menu is indicated by a star ✱.
- Press the MENU button **C** to step backwards through the menus.

Status LED

The LED **F** next to the control buttons indicates fixture status by showing a color and DMX status by flashing or lighting constantly:

- **GREEN**: All parameters normal.
- **AMBER**: Warning (service interval exceeded, for example).
If **ERROR MODE** is set to **Normal**, the warning message will be shown in the display. If **ERROR MODE** is set to **Silent**, the display must be activated by pressing the Enter button **E** to display the warning message.
- **RED**: Error detected.
 - If **ERROR MODE** is set to **NORMAL**, the error message will be shown in the display.
 - If **ERROR MODE** is set to **SILENT**, display the error message by entering the menus and going to **SERVICE** → **ERROR LIST**.

- **FLASHING:** No DMX signal detected.
- **CONSTANT:** Valid DMX signal detected.

The status LED is only active when the display is active. If the display enters sleep mode, the LED will also sleep.

Battery power

Warning! The fixture's lithium battery is not rechargeable. Do not try to recharge it. If the battery is discharged, obtain a replacement from your Martin supplier.

The MAC Ultra Wash contains a CR123A 3-volt lithium battery in a compartment **G** next to the control panel. The battery gives access to the most important functions in the control panel when the fixture is not connected to AC power. The following functions are available on battery power:

- DMX address
- Fixture ID
- Personality settings (pan/tilt, cooling, fan clean mode, dimming curve, DMX reset, parameter shortcuts, all display settings, error mode)
- Default settings
- Information (Power On Hours and Power Cycles counters, Software version)
- Error list

To activate the display when the fixture is not connected to power, press the MENU button **C**. Press again to enter the menus. The display extinguishes after 10 seconds with no user input and the control panel is de-activated after 1 minute with no user input. Press the MENU button **C** again to re-activate.

Shortcuts

If you hold the MENU button **C** pressed in for 2 - 3 seconds, a shortcut menu with the most important commands appears. Select a command with the UP and DOWN buttons **D** and press the ENTER button **E** to activate, or press the MENU button **C** again to cancel.

- **RESET ALL** resets the whole fixture
- **ROTATE DISPLAY** rotates the MAC Ultra Wash display 180°
- **FOLLOWSPOT TOGGLE** puts the fixture into / takes the fixture out of Followspot Mode (see 'FOLLOWPOT MODE' on page 16)
- **TOGGLE HOLD POSITION** uses the pan and tilt motors to hold the head in its current position – a feature that is designed to be used in Followspot Mode when the operator wants to hold the head in a static position for a period.

Settings stored permanently

The following settings are stored permanently in the fixture memory and are not affected by powering the MAC Ultra Wash off and on or by updating the fixture software:

- DMX address
- Fixture ID
- Personality settings (pan/tilt, cooling, dimming curve, DMX reset, effect shortcuts, display settings, error mode, etc.)
- Resettable and non-resettable counters
- Service settings (adjustment, calibration)

These settings can be returned to factory defaults using the control menus or via DMX.

Activating service mode

Holding the MENU and ENTER buttons **C** and **E** both pressed in while powering the fixture on puts the fixture into service mode, in which pan and tilt are disabled and a **SERV** warning appears in the display. Service mode removes the risk of unexpected head movement during service adjustments.

To take the fixture out of SERVICE mode, power the fixture off, then reapply power and allow the fixture to start normally.

Control options

You can control the MAC Ultra Wash using DMX and/or Martin P3 protocol. The fixture auto-senses the type of data that it is receiving and will respond correctly with no need for manual protocol selection.

The following options are available:

- DMX control over standard DMX cable connected to the fixture's 5-pin XLR connectors.
- DMX control using Art-Net over Ethernet cable connected to the fixture's etherCON connectors.
- DMX control using streaming ACN over Ethernet cable connected to the fixture's etherCON connectors.
- DMX control over DMX cable and P3 video data over Ethernet cable.
- P3 video data with embedded DMX commands over Ethernet cable. If you connect DMX / Art-Net / sACN to the P3 system controller, the controller can merge the DMX commands into the P3 signal and send them to the fixture over Ethernet.

The P3 Mix DMX channel lets you choose how the fixture should behave if it receives both DMX data and P3 video data. You can use the P3 video pixel data to control the intensity and/or the color of the fixture's output with real-time control.

Fail-safe connection

The MAC Ultra Wash has a fail-safe network connection. If the fixture loses power or if you shut it down, it will continue to relay an Ethernet signal, and the Art-Net / sACN / P3 signal to the other networked fixtures in the daisy chain will not be interrupted.

Data rate

Any Ethernet switch used to relay Art-Net, streaming ACN or P3 data to the MAC Ultra Wash must be capable of running at 10/100 Mbps speed, as the fixture does not support Gigabit Ethernet data rates.

DMX

The MAC Ultra Wash accepts a DMX-512A data signal.

DMX setup

The DMX address, also known as the start channel, is the first channel used to receive instructions from the controller. For independent control, each fixture must be assigned its own control channels. If you give two fixtures of the same type the same address, they will behave identically. Address sharing can be useful for diagnostic purposes and symmetrical control, particularly when combined with the inverse pan and tilt options.

DMX addressing is limited to make it impossible to set the DMX address so high that you are left without enough control channels for the fixture.

To set the fixture's DMX address:

1. Press Menu to open the main menu. Scroll to **DMX SETUP**.
2. Press Enter to enter the **DMX ADDRESS** menu, then scroll to the desired address and press Enter to save.
3. Press Menu to exit.

P3 video

The MAC Ultra Wash accepts video data using Martin's proprietary P3 video protocol that has been a well-established standard in the industry for over 10 years. It lets you send a video signal from a media server or other video source to P3-compliant creative LED fixtures and moving heads over Ethernet cable using Martin's reliable P3 data protocol.

The intuitive graphic user interface in Martin P3 controllers lets you visualize and set up a custom installation that can contain a huge number of fixtures in any kind of physical arrangement within a few minutes. Device identification is automatic. You can arrange devices on the monitor using drag-and-drop. Latency from video input to output on fixtures is extremely low, while there is no latency between fixtures as they are fully synchronized via the P3 protocol. If you use P3 you do not need to worry about IP addresses, as P3 does not use IP addresses or IP communication.

The P3 protocol will supply both DMX data and video pixel data to fixtures over a network cable. On the MAC Ultra Wash you can use the video pixel data to control the intensity and/or the color of the fixture's output with real-time control using the P3 Mix DMX channel.

RDM

The MAC Ultra Wash can communicate over standard DMX cable and over Art-Net and sACN Ethernet links using RDM (Remote Device Management) in accordance with ESTA's *American National Standard E1.20-2006*.

RDM is a bi-directional communications protocol for use in DMX512 control systems, it is the open standard for DMX512 device configuration and status monitoring.

The RDM protocol allows data packets to be inserted into a DMX512 data stream without affecting existing non-RDM equipment. It allows a console or dedicated RDM controller to send commands to and receive messages from specific fixtures.

Note that a firmware update can sometimes expand a fixture's RDM functionality. If this happens, the firmware release notes will give details.

RDM ID

Each fixture has a factory-set RDM UID (unique identification number) that makes it addressable and identifiable in RDM systems. The number can be found in the control panel **INFORMATION** menu under **RDM UID**.

Supported RDM PIDs

The fixture supports the standard RDM PIDs (Parameter IDs) required by ESTA plus manufacturer-specific PIDs that give a range of configuration options.

See the following tables.

Standard RDM Parameter IDs

GET allowed	SET allowed	RDM parameter IDs	Notes
Network Management			
		DISC_UNIQUE_BRANCH	
		DISC_MUTE	
		DISC_UN_MUTE	
Status Collection			
✓		QUEUED_MESSAGE	
✓		STATUS_MESSAGES	
✓		STATUS_ID_DESCRIPTION	
	✓	CLEAR_STATUS_ID	
RDM Information			
✓		SUPPORTED_PARAMETERS	
✓		PARAMETER_DESCRIPTION	
Product information			
✓		DEVICE_INFO	
✓		DEVICE_MODEL_DESCRIPTION	
✓		MANUFACTURER_LABEL	
✓	✓	DEVICE_LABEL	
✓	✓	FACTORY_DEFAULTS	
✓		SOFTWARE_VERSION_LABEL	
DMX Setup			
✓	✓	DMX_PERSONALITY	
✓		DMX_PERSONALITY_DESCRIPTION	
✓	✓	DMX_START_ADDRESS	
✓		SLOT DESCRIPTION	
Sensors			
✓		SENSOR_DEFINITION	
✓		SENSOR_VALUE	
Usage information			
✓	✓	DEVICE_HOURS	
✓	✓	DEVICE_POWER_CYCLES	
Display settings			
✓	✓	DISPLAY_INVERT	
✓	✓	DISPLAY_LEVEL	
Configuration			
✓	✓	PAN_INVERT	
✓	✓	TILT_INVERT	
Control			
✓		LIST_INTERFACES	
✓		INTERFACE_LABEL	
✓		INTERFACE_HARDWARE_ADDRESS_TYPE1	
✓	✓	IPV4_STATIC_ADDRESS	
	✓	INTERFACE_APPLY_CONFIGURATION	
✓	✓	IDENTIFY_DEVICE	
	✓	RESET_DEVICE	
✓	✓	PERFORM_SELFTEST	
✓		SELF_TEST_DESCRIPTION	

Manufacturer-specific RDM Parameter IDs

GET allowed	SET allowed	RDM parameter IDs (slot 21-22)	Notes
		DMX protocol	
✓	✓	DMX_RESET_ENABLE	
		Fixture behavior	
✓	✓	EFFECT_SPEED	
✓	✓	EFFECT_SHORTCUT_ENABLE	
✓	✓	DISPLAY_ERRORS_ENABLE	
✓	✓	DIMMER_CURVE	
✓	✓	VIDEO_TRACKING	
✓	✓	FOCUS_TRACKING	
✓	✓	DISPLAY_AUTO_OFF	
✓	✓	HIBERNATION_MODE	
✓	✓	TUNGSTEN_MODE	
		Pan/tilt	
✓	✓	PAN_TILT_SPEED	
✓	✓	PAN_TILT_LIMITATION_ENABLE	
✓	✓	PAN_LIMITATION_MINIMUM	
✓	✓	PAN_LIMITATION_MAXIMUM	
✓	✓	TILT_LIMITATION_MINIMUM	
✓	✓	TILT_LIMITATION_MAXIMUM	
	✓	PAN_TILT_LIMITATION_RESET	
		Fixture cooling	
✓	✓	FAN_MODE	
✓	✓	FAN_CLEAN	
		Fixture information	
✓	✓	FIXTURE_ID	
✓		SERIAL_NUMBER	

Fixture setup

The onboard control panel lets you configure the fixture using a range of fixture settings. Note that many of these settings are also available on the Control / settings DMX channel (see “Adjusting settings via DMX” on page 20).

Fixture ID

The fixture lets you set a four-digit ID number to ease identification of the fixtures in an installation. When a fixture is powered on for the first time, it displays its DMX address by default. As soon as you set an ID number other than **0** in **FIXTURE ID**, the fixture will display this ID number by default, and indicate **FIXTURE ID** in the display.

Personality

The **PERSONALITY** menu provides several options that let you customize the fixture for different applications:

- The **PAN/TILT** menu offers the following options:
 - **PAN INVERSE** and **TILT INVERSE** let you invert the direction of pan and tilt movement. This can be a fast way of setting symmetrical action in multiple fixtures with no need to reprogram cues.
 - **FOLLOWSPOT MODE** disables the pan and tilt motors so that you can move the head manually using the integrated handles on the back of the head.

Warning! The head becomes hot during use. Make sure that it is impossible for operators to burn themselves.

When you disable followspot mode, the fixture resets pan and tilt and the head returns to its original position.

The pan and tilt motors are completely disabled to give the smoothest head movement with maximum freedom, but you must support the head constantly while in followspot mode (unless you apply **TOGGLE HOLD POSITION** in the shortcuts menu as described below). If you let go of the handles, the head will sink under gravity to a tilt down position.
 - Using the shortcuts menu that opens if you hold the MENU button pressed in for 2 - 3 seconds (see “Shortcuts” on page 10), a followspot operator can quickly put the fixture into followspot mode and also use the **TOGGLE HOLD POSITION** feature. Applying **TOGGLE HOLD POSITION** while the fixture is in followspot mode uses the pan and tilt motors to hold the head in its current position. This menu item lets the followspot operator quickly toggle between free head movement and static head position.
 - **LIMIT PAN/TILT** lets you define minimum and maximum limits for pan and tilt angles so that you can install fixtures close to obstacles (such as other fixtures or trusses) with no risk of collision, so that the beam will only hit a certain area of a stage or set, or so that you can avoid the fixture shining into the eyes of the audience.

PAN MIN and **TILT MIN** set minimum limits for pan and tilt, and **PAN MAX** and **TILT MAX** likewise set maximum limits. The fixture’s pan and tilt movement will remain in a ‘safe zone’ within the limits that you set.

 - To set the limits using the control panel menus, go into the **LIMIT PAN/TILT** menu and enter the minimum and maximum limits for pan and tilt as the 16-bit values that you would use to move pan and tilt to those positions via DMX. The range of values available is -32767 to 32768.
 - To set the limits via DMX, move the head using the pan and tilt DMX channels to the position where you want to set minimum pan and tilt limits, then enable *Pan minimum* and *Tilt minimum* limits on the Control/Settings DMX channel, sending values for at least 1 second to activate them. Use the same method to set the maximum pan and tilt limits.

Note that when you power the fixture off, the head may move under its own weight to a position that is outside its pan and tilt limits.

RESET PAN/TILT LIMITS sets the fixture to default pan and tilt limits that are suitable for mounting the fixture in a GT Pre-Rig truss using standard Martin half-coupler rigging clamps. If you install the fixture in this type of pre-rig truss, you only need to execute a **RESET PAN/TILT LIMITS** command and set **LIMIT ENABLE** to **ON** to avoid the risk of head collisions.

- The **SPEED** menu gives you two movement speed options:
 - **PAN/TILT SPEED** lets you set pan and tilt movement to **FAST** (optimized for speed) or **SMOOTH** (optimized for smooth movement – useful for slow movements in long-throw applications).
 - **EFFECT SPEED** lets you set all the fixture’s effects to **FOLLOW P/T** (effects speed follows the speed set for pan/tilt), **FAST** (optimized for speed) or **SLOW** (optimized for smooth movement – useful for slow, gradual effects changes).
- **DIMMER CURVE** provides four dimming options (see Figure 3):
 - **LINEAR** – (optically linear) the increase in light intensity appears to be linear as DMX value is increased.
 - **SQUARE LAW** – light intensity control is finer at low levels and coarser at high levels.
 - **INV SQUARE LAW** – light intensity control is coarser at low levels and finer at high levels.
 - **S-CURVE** – light intensity control is finer at low levels and high levels and coarser at medium levels. This curve emulates the RMS voltage dimming characteristics of an incandescent lamp.

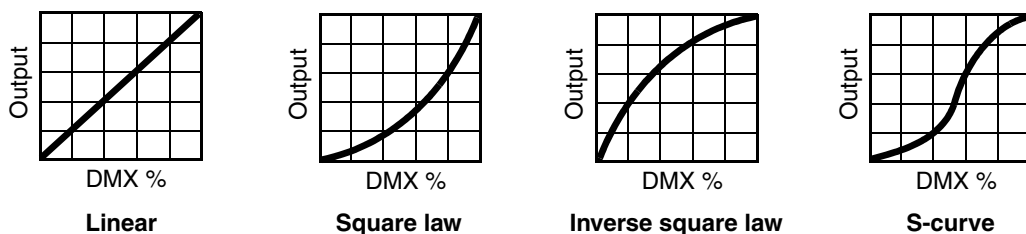


Figure 3: Dimming curve options

- **TUNGSTEN EMULATOR** gives the warm appearance and warm shift dimming characteristics of a tungsten lamp fixture.
- **FOCUS TRACKING** sets focus to automatically adjust to match the fixture’s zoom angle. You can enable or disable focus tracking, and you can optimize this feature to give the best performance at far, medium or near projection distances.
- **VIDEO TRACKING** optimizes performance if the MAC Ultra Wash is used with a video source.
 In normal use, the fixture processes the signal it receives, tracking (or smoothing out) changes in values in order to ensure smooth fading between colors and/or intensities. This signal processing takes fractions of a second and is normally invisible, but if the fixture is used to display video the processing can interfere with video response times. If you enable video tracking, the fixture does not ‘smooth out’ input but instead snaps instantly when a value changes.
 For best results, we recommend that you enable video tracking when using video as a source and disable it (the default setting) during DMX control.
- **DMX RESET** lets you reduce the risk of accidentally sending a reset command via DMX that might cause an unwanted blackout and/or unwanted light output in the middle of a show, for example, that will take several seconds to recover from.
- **EFFECT SHORTCUTS** determines whether the color wheel takes the shortest path between two positions (shortcuts enabled), crossing the open position if necessary, or always avoid the open position (shortcuts disabled).
- **COOLING MODE** lets you select between five cooling fan options:
 - **CONSTANT FAN FULL** optimizes cooling fan operation for the lowest possible temperature by setting cooling fans to run constantly at full speed. Light output intensity is reduced if necessary to prevent the fixture from exceeding its maximum operating temperature during full speed fan operation.
 - **CONSTANT FAN MEDIUM** sets cooling fans to run constantly at medium speed. Light output intensity is reduced if necessary to prevent the fixture from exceeding its maximum operating temperature during medium speed fan operation.
 - **CONSTANT FAN LOW** sets cooling fans to run constantly at low speed. Light output intensity is reduced if necessary to prevent the fixture from exceeding its maximum operating temperature during low speed fan operation.
 - **CONSTANT FAN ULOW (ULTRALOW)** optimizes cooling fan operation for the lowest possible noise by setting cooling fans to run constantly at ultra-low speed. Light output intensity is reduced if necessary to

prevent the fixture from exceeding its maximum operating temperature during ultra-low speed fan operation.

- **REGULATED FANS** adjusts cooling fan operation to balance the fixture's noise and light output characteristics. Cooling fans are set to the lowest speed possible and then increased as fixture operating temperature rises. If the fixture reaches maximum operating temperature and full-speed fan operation is not enough to control fixture temperature, light output intensity is limited to keep the fixture within its operating temperature range.

Because the MAC Ultra Wash adjusts the maximum possible output intensity level as a function of fixture temperature, the choice of cooling mode will affect the maximum intensity level available. The exact level will vary depending on factors such as ambient temperature, airflow in the installation etc., but to give an approximate indication, you can expect to obtain the following intensity levels in the fixture's different cooling modes relative to the REGULATED FANS mode:

- REGULATED FANS: 100%
 - CONSTANT FAN ULOW: 75%
 - CONSTANT FAN LOW: 101%
 - CONSTANT FAN MEDIUM: 104%
 - CONSTANT FAN FULL: 105%
- **DISPLAY** offers the following options for the LCD display:
 - **DISPLAY SLEEP** sets the fixture display to black out a certain period after the last key press on the fixture's control panel. If ERROR MODE (see below) is set to NORMAL, the display will light up again if the fixtures detects and error.
 - **DISPLAY INTENSITY** lets you adjust the brightness of the display backlighting by setting the intensity to a level from 10% to 100%.
 - **DISPLAY ROTATION** rotates the display manually through 180° so that it can be read easily no matter how the fixture is oriented.
 - **TEMPERATURE UNIT** lets you choose whether the fixture should display all temperature readings in Celsius or Fahrenheit.
 - **ERROR MODE** enables or disables error warnings.
 - If set to **NORMAL**, the display is activated and lights up if the fixture needs to report an error.
 - If set to **SILENT**, the fixture does not light the display with error warnings but error messages can still be read when the display is activated manually.

In both **NORMAL** and **SILENT** modes, the status LED lights amber to indicate a warning and red to indicate an error.

- **HIBERNATION MODE** sets light output intensity to zero and disables effect deployment and pan/tilt movement. The main purpose of the mode is to protect the fixture from the intake of airborne material such as dust and confetti and to provide an option for situations where noise is critical. The small reduction in power consumption obtained in Hibernation Mode is not the main purpose of this mode. When you bring the fixture out of hibernation mode, it performs a full reset.
- **SCENE CAPTURE** lets you capture all the DMX values that the fixture is currently receiving and save them as a scene. If you enable **PLAYBACK**, the fixture will show that scene every time it is powered on or you carry out a reset.
 - If the fixture receives a DMX control signal during playback, it will immediately stop showing its saved scene. If the fixture is powered off and on again or if the fixture is reset, it will again show its saved scene.
 - To stop the fixture showing its saved scene at each power cycle or reset, set **PLAYBACK** to **DISABLE** in the **SCENE CAPTURE** menu.

Managing fixture settings

Factory default settings

FACTORY DEFAULT lets you reload the fixture's factory default settings. Effect calibration settings are not affected, so any changes you have made to zoom, pan and tilt offsets will be kept.

Custom settings

The custom configuration function **CUSTOM 1 - CUSTOM 3** allows you to save and recall up to three sets of fixture settings. These include all the settings in the **PERSONALITY** menu as well as the fixture's DMX address.

Fixture information readouts

The following fixture information can be called up in the display:

- **POWER ON TIME** provides two counters, one user-resettable, one non-resettable, that display the total number of hours the fixture has been powered on since manufacture.
- **POWER ON CYCLES** provides two counters, one user-resettable, one non-resettable, that display the total number of power on/off cycles since manufacture.
- **SW VERSION** displays the currently installed firmware (fixture software) version.
- **RDM UID** displays the fixture's factory-set unique ID for identification in RDM systems.
- **FAN SPEEDS** provides separate status readouts from the fixture's cooling fans.

Temperatures

The **TEMPERATURES** menu provides separate temperature readouts for each of the fixture's PCBs. You can choose to see the current readout or the minimum and maximum temperature levels since the fixture was last powered on.

DMX signal monitoring

The MAC Ultra Wash provides data on the DMX signal it is receiving in the **DMX LIVE** menu. This information can be useful for troubleshooting control problems.

- **RATE** displays the DMX refresh rate in packets per second. Values lower than 10 or higher than 44 may result in erratic performance, especially when using tracking control.
- **QUALITY** displays the quality of the received DMX data as a percentage of usable packets from the data received. Values much below 100 indicate interference, poor connections, or other problems with the serial data link that are the most common cause of control problems.
- **START CODE** displays the DMX start code. Packets with a start code other than 0 may cause irregular performance.

The **DMX LIVE** menu lets you scroll through all the fixture's DMX channels and display the DMX values from 0 - 255 that are being received on each channel.

Test sequences

The **FIXTURE TEST** menu lets you test:

- all the fixture's effects
- dimming functionality
- each individual mechanical effect, or
- pan and tilt only.

Before you run a test, prepare for the head to move and the fixture to light up suddenly without warning.

To run a test:

- In the **FIXTURE TEST** menu, scroll to **TEST ALL**, **TEST LEDS**, **TEST EFFECTS** or **TEST PAN/TILT** and press ENTER.
- In the **TEST EFFECTS** menu, scroll to the effect you want to test and press ENTER to start a test sequence for that effect.
- In the **TEST PAN/TILT** menu, choose **PAN** or **TILT**, make sure that the fixture base is held securely and that there is no danger of the fixture falling over or head colliding, then press ENTER to start the test sequence.
- Press MENU to stop the test sequence.

Manual control

The **MANUAL CONTROL** menu lets you reset the fixture and operate it without a DMX controller.

To execute commands in the **MANUAL CONTROL** menu, select the effect that you want to control, then enter a value from 0 to 255 for 8-bit commands or 0 to 65536 for 16-bit commands to apply that command. The menu items and values available correspond to the commands listed in the DMX protocol in this User Manual.

When you exit the **MANUAL CONTROL** menu, the fixture will keep its effect positions and settings until you enter a new menu. When you do this, the fixture will revert to default positions and settings. The fixture will also revert to default positions and settings if you exit and then re-enter **MANUAL CONTROL**.

Service

Servicing the fixture and the contents of the **SERVICE** menu are covered in the MAC Ultra Wash Safety and Installation Manual supplied with fixtures and available for download from the product pages on the Martin website at www.martin.com.

Adjusting settings via DMX

Certain fixture settings and parameters can be adjusted from the DMX controller on Channel 23, the Fixture Control/Settings channel. Commands sent on this channel override any settings entered in the fixture's onboard control menus.

To help you avoid accidentally applying a setting that may disrupt a light show, for example, the commands must be held for a certain time before they are applied. For example, the command that turns off the display illumination must be held for one second to activate it. The command that resets the fixture must be held for five seconds to activate it. The DMX protocol table in this user manual gives details of times required.

Resetting

Either the entire fixture or individual effects can be reset to their initial positions. Resetting individual effects can allow on-the-fly recovery if an effect loses its correct position, for example, without having to reset the entire fixture.

Illuminating the display

You can set the fixture's display panel to ON or OFF with a DMX command. This makes it possible to read the fixture's DMX address while the fixture is installed in the rig but black out the display panel during a show.

If the display is set to ON via DMX, it will enter sleep mode and black out after a short period of inactivity. To bring it out of sleep mode, set the display to ON again via DMX.

Control menu setting overrides

The following fixture settings can be adjusted via DMX, overriding the settings entered in the onboard control menus. See under "DMX protocol" on page 22 for details of these settings.

- Dimming curve
- Tungsten emulation
- Pan and tilt speed
- Effect shortcuts, also called parameter shortcuts (effects take shortest route when changing, even if this means crossing the open position)
- Focus tracking
- Video tracking
- Fan speed

It is also possible to adjust calibration offsets via DMX. This feature can be useful if you want to fine-tune pan, tilt or other effects after fixtures have been installed in a lighting rig, for example.

Adjusting calibration offsets via DMX

You can adjust the home positions of pan, tilt and all the fixture's effects remotely via DMX by setting custom calibration offsets on the Control/Settings DMX channel.

To set a custom offset in the position of an effect:

1. Set the effect to a specific value via DMX (for example, set all the fixtures in a group to DMX value 200 on the zoom channel).
2. Select 'Enable calibration adjustment' on the Control/Settings channel and hold for 5 seconds to activate.
3. The fixture now registers the current positions of all effects and holds them there. To select an effect to adjust, you must first release it from its hold position by changing the value on its DMX channel by +/- 10%. The effect then returns to its hold position. The effect's DMX channel now represents the full

calibration range. The range can vary but is typically +/- 5-10%. In this case you can adjust the effect's position using that effect's DMX channel (8 or 16 bit) as follows:

- DMX value 0 = -5%
 - DMX value 127/32767 = 0%
 - DMX value 255/65535 = +5%.
4. Adjust the effect until it is in the required position (for example, adjust the zoom angle on each fixture in the group until the angle on all fixtures is identical – this is the position that you will obtain when you send DMX value 200).
 5. Send a 'Store XXX calibration' command on the Control/Settings channel for each effect that you adjust and hold that command for 5 seconds to activate. The new calibration offset is now stored in memory.
 6. When you have finished adjusting calibration offsets, send value 0 on the Control/Settings channel and hold for 5 seconds to exit the DMX calibration procedure and return to normal DMX control.

Calibration offsets that are stored in memory are not affected by powering the fixture off and on or by updating the fixture software.

Restoring default calibration offsets

If you want to delete all custom calibration offsets and return the offsets to their default values:

1. On the Control/Settings DMX channel, send a 'Return all calibration settings to factory defaults' command and hold for 5 seconds.
2. The fixture will return all effects to their default calibration values.

Note that, If you have overwritten the factory default values by applying a SERVICE → CALIBRATION → SAVE DEFAULTS command in the fixture's onboard control panel, the fixture will return to the calibration values that were saved as the default values at that time. The SAVE DEFAULTS command in the fixture's control panel permanently replaces the factory default calibration settings with the current custom calibration settings.

DMX protocol

This chapter lists the DMX control commands implemented in firmware version 1.0.0.

Channel	DMX Value	Function	Fade type	Default value
Strobe / Intensity				
1	0 - 19	Shutter closed	Snap	30
	20 - 49	Shutter open		
	50 - 200	Strobe, slow → fast		
	201 - 210	Shutter open		
	211 - 255	Random strobe, slow → fast		
2	0 - 65535	Dimmer (16-bit)	Fade	0
3		Closed → open		
Color				
4	0 - 65535	Cyan (16-bit)	Fade	0
5		0 → 100%		
6	0 - 65535	Magenta (16-bit)	Fade	0
7		0 → 100%		
8	0 - 65535	Yellow (16-bit)	Fade	0
9		0 → 100%		
10	0 - 65535	CTC (16-bit)	Fade	0
11		0 → 100%		
12		Color wheel Indexing	Snap	0
	0	<i>Split colors (continuous color wheel indexing)</i> Open		
	1 - 14	Open → Color 1		
	15	Color 1 (Spectral enhancement)		
	16 - 29	Color 1 → Color 2		
	30	Color 2 (Blue)		
	31 - 44	Color 2 → Color 3		
	45	Color 3 (Deep Green)		
	46 - 59	Color 3 → Color 4		
	60	Color 4 (Orange)		
	61 - 74	Color 4 → Color 5		
	75	Color 5 (Navy Blue)		
	76 - 89	Color 5 → Color 6		
	90	Color 6 (Deep Red)		
	91 - 104	Color 6 → Open		
	105 - 160	Open		
		<i>Solid colors</i>		
	161 - 163	Color 1 (Spectral enhancement)		
	164 - 166	Color 2 (Blue)		
	167 - 169	Color 3 (Deep Green)		
	170 - 172	Color 4 (Orange)		
	173 - 175	Color 5 (Navy Blue)		
176 - 178	Color 6 (Deep Red)			
179 - 192	Open			
	Continuous rotation			
193 - 214	CW, fast → slow			
215 - 221	Stop (wheel stops at current position)			
222 - 243	CCW slow → fast			
	Random colors			
244 - 247	Fast			
248 - 251	Medium			
252 - 255	Slow			

Table 1: MAC Ultra Wash DMX Protocol

Channel	DMX Value	Function	Fade type	Default value
Beam effects				
13	0 - 255	Frost No frost → full frost	Fade	0
14	0 - 200 201 - 225 226 - 230 231 - 255	Iris Open → closed Animate fast → slow Iris stops at current position Animate reverse slow → fast	Fade	0
Zoom / Focus				
15	0 - 65535	Zoom (16-bit) Wide → narrow	Fade	32768
16				
17	0 - 65535	Focus (16-bit) Infinity → near	Fade	32768
18				
Movement				
19	0 - 65535	Pan (16-bit) Left → right	Fade	32768
20				
21	0 - 65535	Tilt (16-bit) Forward → backward	Fade	32768
22				
Control / Settings				
23	0 - 9 10 - 14 15 16 17 18 19 - 22 23 24 25 26 27 28 29 30 31 32 33 34 35 36 37 38 - 51 52 53 54 55 56 57 58 59 - 60	Fixture control/settings <i>(hold for number of seconds indicated to activate)</i> Exit calibration adjustment and return to normal control – 5 sec. Reset entire fixture – 5 sec. <i>No function</i> Reset color – 5 sec. Reset beam only – 5 sec. Reset pan and tilt only – 5 sec. <i>No function</i> Linear dimming curve – 1 sec. (menu override, setting unaffected by power off/on) Square law dimming curve – 1 sec. (menu override, default setting, setting unaffected by power off/on) Inverse square law dimming curve – 1 sec. (menu override, setting unaffected by power off/on) S-curve dimming curve – 1 sec. (menu override, setting unaffected by power off/on) <i>No function</i> Fast pan and tilt speed – 1 sec. (default setting, menu override - setting returns to MENU setting after power on/off) Smooth pan and tilt speed – 1 sec. (menu override - setting returns to MENU setting after power on/off) Effect shortcuts on (default setting) Effect shortcuts off Disable focus tracking – 1 sec. Focus tracking = Near distance – 1 sec. Focus tracking = Medium distance (default setting) – 1 sec. Focus tracking = Far distance – 1 sec. Enable video tracking Disable video tracking (default setting) <i>No function</i> Control panel display on (default setting) – 1 sec. Control panel display off – 1 sec. Regulated fan speed, fixed light output intensity (default setting) – 1 sec. Full fan speed, regulated light output intensity – 1 sec. Medium fan speed, regulated light output intensity – 1 sec. Low fan speed, regulated light output intensity – 1 sec. Ultra-low fan speed, regulated light output intensity – 1 sec. <i>No function</i>	Snap	0

Table 1: MAC Ultra Wash DMX Protocol

Channel	DMX Value	Function	Fade type	Default value
23 contd.	61	Hibernation mode on – 1 sec.	Snap	0
	62	Hibernation mode off – 1 sec.		
	63	Followspot mode on – 1 sec.		
	64	Followspot mode off (default setting) – 1 sec.		
	65	Pan and tilt limits on – 1 sec.		
	66	Pan and tilt limits off (default setting) – 1 sec.		
	67	Pan limit low – 1 sec.		
	68	Pan limit high – 1 sec.		
	69	Tilt limit low – 1 sec.		
	70	Tilt limit high – 1 sec.		
	71	Reset pan and tilt limits – 1 sec.		
	72	Tungsten emulation on – 1 sec.		
	73	Tungsten emulation off (default setting) – 1 sec.		
	74	Scene capture record – 5 sec.		
	75	Scene capture playback on – 5 sec.		
	76	Scene capture playback off (default setting) – 5 sec.		
	77 - 80	<i>No function</i>		
	81	Enable Hyperzoom (available from firmware v. 1.1.0)		
	82	Disable Hyperzoom (default setting)		
	83- 99	<i>No function</i>		
	100	Enable calibration adjustment – 5 sec.		
	101	Store pan and tilt calibration – 5 sec.		
	102	Store dimmer calibration – 5 sec.		
	103	Store Cyan calibration – 5 sec.		
	104	Store Magenta calibration – 5 sec.		
	105	Store Yellow calibration – 5 sec.		
	106	Store CTC calibration – 5 sec.		
107	Store all CMYC calibration – 5 sec.			
108 - 111	<i>No function</i>			
112	Store iris calibration – 5 sec.			
113	Store edge control calibration – 5 sec.			
114	Store zoom calibration – 5 sec.			
115	Store color wheel calibration – 5 sec.			
116 - 198	<i>No function</i>			
199	Return all calibration settings to factory defaults – 5 sec.			
200 - 255	<i>No function</i>			
P3 Mix				
24	0 - 26	P3 Mode <i>DMX Mode</i> Intensity and colors controlled by DMX, P3 pixel data ignored	Snap	0
	27	<i>Mixed Mode</i> Intensity and colors controlled by DMX, P3 pixel data ignored		
	28 - 227	Progressive crossfade from DMX to P3 color control, intensity controlled by DMX		
	228	Color controlled by P3, intensity controlled by DMX		
	229 - 255	<i>Video Mode</i> Intensity controlled by P3, color controlled by DMX (DMX channels 'color' the P3 pixel data)		
Macro FX (available from fixture software version 1.2.0)				
25	0	FX1 selection No effect	Snap	0
	1 - 254	Effect selection (adjust speed and direction on channel 26)		
	255	Enable PWM frequency adjustment (adjust frequency on channel 26)		
26	0 - 126	FX1 speed and direction Effect reversed fast → slow	Fade	128
	127 - 129	Effect stops		
	130 - 255	Effect forward slow → fast		
27	0	FX2 selection No effect	Snap	0
	1 - 254	Effect selection (adjust speed and direction on channel 28)		
	255	Enable PWM frequency adjustment (adjust frequency on channel 28)		
28	0 - 126	FX2 speed and direction Effect reversed fast → slow	Fade	128
	127 - 129	Effect stops		
	130 - 255	Effect forward slow → fast		

Table 1: MAC Ultra Wash DMX Protocol

Channel	DMX Value	Function	Fade type	Default value	
29		FX synchronization			
	0	No sync			
	1	Offset shift 10°			
	2	Offset shift 20°			
	3	Offset shift 30°			
	4	Offset shift 40°			
	5	Offset shift 50°			
	6	Offset shift 60°			
	7	Offset shift 70°			
	8	Offset shift 80°			
	9	Offset shift 90°			
	10	Offset shift 100°			
	11	Offset shift 110°			
	12	Offset shift 120°			
	13	Offset shift 130°			
	14	Offset shift 140°			
	15	Offset shift 150°			
	16	Offset shift 160°			
	17	Offset shift 170°			
	18	Offset shift 180°			
	19	Offset shift 190°			
	20	Offset shift 200°		Snap	36
	21	Offset shift 210°			
	22	Offset shift 220°			
	23	Offset shift 230°			
	24	Offset shift 240°			
	25	Offset shift 250°			
	26	Offset shift 260°			
	27	Offset shift 270°			
	28	Offset shift 280°			
	29	Offset shift 290°			
	30	Offset shift 300°			
	31	Offset shift 310°			
	32	Offset shift 320°			
	33	Offset shift 330°			
	34	Offset shift 340°			
	35	Offset shift 350°			
36	Synchronized: all fixtures start FX cycles at same time				
37 - 100	No function				
101 - 120	Random start (Channel 45 controls overall speed)				
121 - 140	Random duration				
141 - 255	No function				

Table 1: MAC Ultra Wash DMX Protocol

Note that FX are available from firmware version 1.2.0 (due for release mid-2021).

Control panel menus

MAC Ultra Wash firmware version 1.0.0.

Menu level 1	Menu level 2	Menu level 3	Menu level 4	Notes (Default settings in bold print)	
DMX SETUP	DMX ADDRESS	1 – XXX		DMX address (default address = 1). The DMX address range is limited so that the fixture will always have enough DMX channels within the 512 available.	
	DMX UNIVERSE	1 - 64000		Set DMX universe	
ETHERNET SETUP	IP ADDRESS	XXX.XXX.XXX.XXX		Display fixture's static IP address	
		PART 1 MSB		Set far left block (most significant byte) of IP address	
		PART 2		Set middle left block of IP address	
		PART 3		Set middle right block of IP address	
		PART 4 LSB		Set far right block (most significant byte) of IP address	
	SUBNET MASK	XXX.XXX.XXX.XXX		Display fixture's subnet mask	
		EDIT SUBNET MASK	XXX.XXX.XXX.XXX	Display fixture's subnet mask	
			XXX.XXX.XXX.XXX	Set subnet mask with 1 bit increments from the left	
MAC ADDRESS	XX:XX:XX:XX:XX:XX		Display fixture's MAC address		
RESET IP SETUP	RESET	ARE YOU SURE? YES/NO	Reset static IP address and subnet mask to default values		
FIXTURE ID	0 – 9999			User-settable 4-digit fixture ID number (default = 0)	
PERSONALITY	PAN/TILT	PAN INVERT	ON/OFF	Inverse DMX pan control: right → left	
		TILT INVERT	ON/OFF	Inverse DMX tilt control: down → up	
		FOLLOWSPOT MODE	ON/OFF	Enable followspot mode: pan/tilt motors disabled, head can be moved manually	
		LIMIT PAN/TILT	LIMIT ENABLE	ON/OFF	Enable limits for pan and tilt
			PAN MIN →	-32767	Set minimum pan angle limit
			PAN MAX →	32768	Set maximum pan angle limit
			TILT MIN →	-32767	Set minimum tilt angle limit
			TILT MAX →	32768	Set maximum tilt angle limit
		RESET PAN/TILT LIMITS		Confirm with: ARE YOU SURE? YES/NO Returns fixture to default pan/tilt limits. The default limits match GT Truss with half-coupler rigging clamps.	
	SPEED	PAN/TILT	FAST	Optimize pan/tilt movement for speed	
			SMOOTH	Optimize pan/tilt movement for smoothness	
		EFFECT	FOLLOW P/T	Effects speed follows the speed setting applied to pan and tilt via DMX or in control menu	
			FAST	Optimize effects movement for speed	
			SLOW	Optimize effects movement for smoothness	

Table 2: Control menus

Menu level 1	Menu level 2	Menu level 3	Menu level 4	Notes (Default settings in bold print)	
PERSONALITY (continued)	DIMMER CURVE	LINEAR		Optically linear dimming curve	
		SQUARE LAW		Square law dimming curve	
		INV SQ LAW		Inverse square law dimming curve	
		S-CURVE		S-curve (fixture emulates incandescent lamp voltage linear RMS dimming curve)	
	TUNGSTEN EMULATOR	ON		Color temperature and dimming characteristics emulate tungsten lamp behavior	
		OFF			
	FOCUS TRACKING	FAR		Focus adjusts to match zoom: optimized for long range projection	
		MEDIUM		Focus adjusts to match zoom: optimized for mid-range projection	
		NEAR		Focus adjusts to match zoom: optimized for close range projection	
		DISABLED		Focus tracking function disabled	
	VIDEO TRACKING	ENABLED		Color fading optimized for speed of color changes	
		DISABLED		Color fading optimized for smoothness	
	DMX RESET	ON		Fixture can be reset via DMX	
		OFF		Fixture cannot be reset via DMX (note that this menu item can be overridden: see DMX protocol)	
	EFFECT SHORTCUT	ON		Effects take shortest route during changes, crossing open positions if necessary	
		OFF		Effects avoid open positions during effects changes	
	COOLING MODE	CONSTANT FAN FULL		Fans optimized for maximum light intensity, fans run at full speed, light intensity reduced if necessary to keep fixture within temperature limits	
		CONSTANT FAN MEDIUM		Fans run at medium speed, light intensity reduced if necessary to keep fixture within temperature limits	
		CONSTANT FAN LOW		Fans run at low speed, light intensity reduced if necessary to keep fixture within temperature limits	
		CONSTANT FAN ULOW		Fans optimized for lowest noise, fans run at ultra-low speed, light intensity reduced if necessary to keep fixture within temperature limits	
		REGULATE FANS		Compromise between light intensity and quietness, fan speed temperature-regulated, light intensity only reduced if fans reach full speed and further action necessary to keep fixture within temperature limits	
	DISPLAY	DISPLAY SLEEP		10 MINUTES	Display goes into sleep mode 10 minutes after last key press
				5 MINUTES	Display goes into sleep mode five minutes after last key press
				2 MINUTES	Display goes into sleep mode two minutes after last key press
				ON	Display permanently on
		DISPLAY INTENSITY		10 ... 100 %	Set display intensity in % (default = 100)
		DISPLAY ROTATION		NORMAL / ROTATE 180	Display orientation normal or rotated 180°
		DISPLAY CONTRAST		3 ... 41 ... 100	Adjust contrast of display (default = 41)

Table 2: Control menus

Menu level 1	Menu level 2	Menu level 3	Menu level 4	Notes (Default settings in bold print)
PERSONALITY (continued)	ERROR MODE	NORMAL		Enable error messages and warnings in display
		SILENT		Disable error messages and warnings in display (the status LED will still light to indicate fixture status if an error has been detected or the fixture has a warning)
	HIBERNATION MODE	ON		Enable Hibernation Mode (light output set to zero, all effect movement disabled)
		OFF		Disable Hibernation Mode
	SCENE CAPTURE	RECORD	SAVE	Saves all current DMX values as playback scene
PLAYBACK		ENABLE	Sets fixture to run currently saved playback scene after power cycle / reset. Any new DMX input disables scene playback until next power cycle.	
		DISABLE	Disable scene playback functionality	
DEFAULT SETTINGS	FACTORY DEFAULT	LOAD	ARE YOU SURE? YES/NO	Return all settings (except calibrations) to factory defaults
	CUSTOM 1	LOAD	ARE YOU SURE? YES/NO	Load Custom Settings 1
		SAVE	ARE YOU SURE? YES/NO	Save fixture's current settings as Custom Settings 1
	CUSTOM 2	LOAD	ARE YOU SURE? YES/NO	Load Custom Settings 2
		SAVE	ARE YOU SURE? YES/NO	Save fixture's current settings as Custom Settings 2
	CUSTOM 3	LOAD	ARE YOU SURE? YES/NO	Load Custom Settings 3
SAVE		ARE YOU SURE? YES/NO	Save fixture's current settings as Custom Settings 3	
INFORMATION	POWER ON TIME	TOTAL	0 ... XXX HR	Display hours fixture has been powered on since manufacture (not user-resettable)
		RESETTABLE	CLEAR COUNTER? YES/NO	Display hours fixture has been powered on since last counter reset (user-resettable)
	POWER ON CYCLES	TOTAL	0 ... XXX HR	Display number of times fixture has been powered on since manufacture (not user-resettable)
		RESETTABLE	CLEAR COUNTER? YES/NO	Display number of times fixture has been powered on since last counter reset (user-resettable)
	FW VERSION*	XX.XX.XX		Displays currently active firmware version
	RDM UID*	4D50.XXXXXXXX		Displays fixture's unique RDM ID
	FAN SPEEDS*	HEAD FAN 1 ... 6, BASE FAN 1 - 2	0 - XXX RPM	Scroll to display current speed of each cooling fan (head and base)
	TEMPERATURES*	UI ... CURRENT DRIVER	CURRENT / MIN / MAX X C	Scroll through PCB temperature sensors, then display current, minimum* and maximum* temperature in °C of all PCBs *Since fixture was last reset / powered on
DMX LIVE*	RATE	0 - 44 HZ		DMX transmission speed in packets per second
	QUALITY	0 - 100%		Percent of packets received
	START CODE	0 - 255		Value of the DMX start code
	STROBE ... FX SYNC	XXX		Scroll to see values received on each DMX channel

Table 2: Control menus

Menu level 1	Menu level 2	Menu level 3	Menu level 4	Notes (Default settings in bold print)
TEST*	TEST ALL	DIMMER ... TILT		Run test sequence of all functions To test a specific function, use Up/Down buttons to scroll through functions. Press Enter to pause and press again to restart test sequence. Press Menu button to exit test
	TEST LEDS	DIMMER		Run test sequence of LEDs only. Press Menu button to exit test
	TEST EFFECTS	CYAN ... FOCUS		Run test sequence of effects. To test a specific effect, use Up/Down buttons to scroll through groups. Press Enter to pause and press again to restart test sequence. Press Menu button to exit test
	TEST PAN/TILT	PAN		Run test sequence of pan functions. Press Menu button to exit test
TILT		Run test sequence of tilt functions. Press Menu button to exit test		
MANUAL CONTROL*	RESET	ALL		Reset fixture
	STROBE ... FX SYNC		Scroll through effects, then manually control an effect	
	FX 1	0-255		Select FX 1, then enter a value from 0 to 255 (one channel) or 0 to 65535 (two DMX channels: 256 x 256) to apply a command
	FX 1 ADJUST	0-255		
	FX 2	0-255		Select FX 2, then enter a value from 0 to 255 (one channel) or 0 to 65535 (two DMX channels: 256 x 256) to apply a command
	FX 2 ADJUST	0-255		
FX SYNC	0-255		Select FX SYNC, then enter a value from 0 to 255 to manually adjust FX synchronization	
SERVICE* (see "Activating service mode" on page 10)	ERROR LIST	Empty or up to 20 errors		Show all error and warning messages stored in memory.
	FAN CLEAN	ON/OFF		Run cooling fans at high speed to dislodge dust and debris.
	PAN/TILT FEEDBACK	ON		Enable pan/tilt position feedback system
		OFF		Disable pan/tilt position feedback system
	ADJUST (for use by – or with guidance from – Martin Service only)	PAN/TILT AT END STOP	STEP 1	To adjust, move head to end position and press ENTER
			STEP 2	To adjust, move head to end position again and press ENTER
	CALIBRATION	DIMMER ... TILT		Calibration range varies depending on effect
LOAD DEFAULTS		LOAD		Load factory default calibration settings
SAVE DEFAULTS		SAVE		Replace factory default calibration settings with current calibration settings

Table 2: Control menus

Menu level 1	Menu level 2	Menu level 3	Menu level 4	Notes (Default settings in bold print)
SERVICE (continued)	USB	NO DEVICE		No USB memory device detected at USB port or no firmware detected on USB memory device
		UPDATING FILES		Fixture updating internal memory from USB memory device
		AVAILABLE FIRMWARE	XX.XX.XX ... XX.XX.XX	Select firmware from versions stored in internal memory. Scroll to select version, then press Enter and confirm your choice to update.
		SERVICE LOG**	EXPORT	Save fixture ID, current counter values and status messages stored in the fixture's memory to USB memory device
CLEAR	Delete service log from USB memory device			

Table 2: Control menus

**The TEMPERATURES, DMX LIVE, MANUAL CONTROL and SERVICE menus are not available when the fixture is operating on battery power.*

***The SERVICE LOG feature is available from fixture software version 1.2.0 due for release mid-2021.*

Service and display messages

The MAC Ultra Wash gives service and maintenance information by displaying a large 3- or 4-character short code and a smaller full-text message in the fixture's display. The short code is visible at a distance, allowing easier reading with the fixture still in the rig, for example, while the full-text message gives more detailed information.

Excessively high temperatures

If any of the temperature sensors reports that the fixture has exceeded its recommended temperature range, the fixture reports a temperature warning and reduces light output to reduce its temperature. If the temperature reaches a dangerous level, light output is shut down completely.

Temperature warnings are canceled and full light output becomes available again as soon as the temperature returns to normal.

Warning messages

Warning messages indicate that either:

- problems might appear in the future if no action is taken, or
- the user needs to pay special attention to a function or procedure when working with the fixture.

The MAC Ultra Wash communicates warnings as follows:

- Warning codes are shown continuously in the display and disappear when the user reacts to the warning.
- If more than one warning is detected, all warnings are displayed in sequence.
- If the display is inactive, the fixture's status LED (see Figure 2 on page 9) flashes orange to indicate that there is a warning. Activating the display will show the warning.

The possible warning messages are listed in Table 3 below:

Short code	Long message and explanation
BANK	BANK NO ACCESS Error unpacking firmware bank during/after software upload. Fixture will continue to operate on existing firmware. Warning message is cleared by a successful software upload or at the next power off/on cycle.
BATM	BATTERY MODE Fixture in battery mode. Certain control menu items are not available.
BETW	BEAM TMP HIGH LED beam pixels sensor detects abnormally high operating temperature.*
CMTW	CMY TEMP HIGH CMY module sensor detects abnormally high operating temperature.*
EFTW	EFF TEMP HIGH Effects module sensor detects abnormally high operating temperature.*
FTNA	FROST ADJUST Frost effect out of adjustment range.
LDTW	LED DRV TMP HIGH LED Driver PCB sensor detects abnormally high operating temperature.*
LETW	LED BOARD TEMP HIGH LED PCB sensor detects abnormally high operating temperature.*
PNTW	PAN TEMP HIGH Pan motor sensor detects abnormally high operating temperature.*
PUTW	PSU TEMP HIGH PSU sensor detects abnormally high operating temperature.*

Table 3: Warning messages

Short code	Long message and explanation
SERV	SERVICE MODE Fixture in service mode.
TLTW	TILT TEMP HIGH Tilt motor sensor detects abnormally high operating temperature.*
UITW	UI TEMP HIGH User interface (LCD display and control panel) PCB sensor detects abnormally high operating temperature.*
ZFTW	ZF TEMP HIGH Zoom/focus PCB sensor detects abnormally high operating temperature.*

Table 3: Warning messages

**High temperature warnings are canceled as soon as temperature returns to normal. If temperature reaches cutoff level, the warning is replaced by a cutoff error message.*

Error messages

Error messages indicate that a problem is present. The MAC Ultra Wash communicates errors as follows:

- Error messages flash in the display.
- If more than one error is detected, the fixture flashes all errors three times each.
- Errors are shown in the display regardless of display status: they override an inactive display and any other information that the display might be showing.
- If an error is present, the status LED flashes red.

The possible error messages are listed in Table 4 below:

Short code	Long message and explanation
BETC	BM TMP CUT OFF LED beam pixels temperature cutoff activated.
BETE	BM TMP SEN ERR LED beam pixels temperature sensor error.
C1ER	COLORWHEEL 1 ERR Color Wheel error.
CECM	COM ERR CMY CMY module communication error.
CEEF	COM ERR EFFECT Effects module communication error.
CELD	COM ERR LED DRV LED driver communication error.
CEPN	COM ERR PAN Pan system communication error.
CETL	COM ERR TILT Tilt system communication error.
CEZF	COM ERR Z/F Zoom/focus effect communication error.
CMCT	CMY TEMP CUTOFF CMY module temperature cutoff activated.
CMTE	CMY TEMP SEN ERR CMY module temperature sensor error.
COLD	FIXTURE COLD Fixture too cold. Physical movement of effects is disabled until fixture has warmed up.
CTER	CTC ERROR CTC flag position error.

Table 4: Error messages

Short code	Long message and explanation
CYER	CYAN ERROR Cyan flag position error.
EFTC	EFF TEMP CUTOFF Effects module temperature cutoff activated.
EFTE	EFF TEMP SEN ERR Effects module temperature sensor error.
F2TC	FROST TEMP CUTOFF Frost effect temperature cutoff activated.
F2TE	FROST TEMP SEN ERR Frost effect temperature sensor error.
FAN	BASE FAN 1 ERR
FAN	BASE FAN 2 ERR
FAN	BASE FAN 3 ERR
FAN	BASE FAN 4 ERR
FAN	HEAD FAN 1 ERR
FAN	HEAD FAN 2 ERR
FAN	HEAD FAN 3 ERR
FAN	HEAD FAN 4 ERR
FAN	HEAD FAN 5 ERR
FAN	HEAD FAN 6 ERR
FAN	HEAD FAN 7 ERR
FAN	HEAD FAN 8 ERR
FAN	HEAD FAN 9 ERR
FAN	HEAD FAN 10 ERR
FAN	HEAD FAN 11 ERR
FAN	HEAD FAN 12 ERR
FBEP	PAN FBACK ERR Pan position magnetic indexing system timeout. Fixture is unable to correct pan position (but pan movement will often still be possible).
FBET	TILT FBACK ERR Tilt position magnetic indexing system timeout. Fixture is unable to correct tilt position (but tilt movement will often still be possible).
FOER	FOCUS ERROR Focus position error.
LDTC	LED TEMP CUTOFF LED temperature cutoff activated.
LDTE	LED TEMP SEN ERR LED temperature sensor error.
LETC	LED BOARD TMP CUTOFF LED PCB temperature sensor cutoff activated.
LETE	LED BOARD SEN ERR LED PCB temperature sensor error.
MAER	MAGENTA ERR Magenta flag position error.
MMER	MISSING MODULE ERR Impossible to communicate with a module that should be present. Module missing or not correctly connected.
PAER	PAN ERROR Pan position electrical indexing system timeout.
PNTC	PAN TEMP CUTOFF Pan motor temperature cutoff activated.
PNTE	PAN TEMP SEN ERR Pan motor temperature sensor error.

Table 4: Error messages

Short code	Long message and explanation
PSER	PAN SENSOR ERROR Fixture unable to retrieve reliable data from pan position sensor.
PTCM	P/T SENSOR ADJUST Pan/tilt sensors are incorrectly adjusted.
PUTC	PSU TEMP CUTOFF PSU temperature cutoff activated.
PUTE	PSU TEMP SEN ERR PSU temperature sensor error.
SEER	ARTNET SOURCES EXCEED Number of Art-Net control sources exceeded.
SEER	SACN SOURCES EXCEEDED Number of sACN control sources exceeded.
SLER	SAFETY LOOP Safety loop circuit activated. A temperature circuit breaker has shut down LEDs. Circuit breaker resets automatically after temperature has returned to normal operating range.
TIER	TILT ERROR Tilt position electrical indexing circuit timeout.
TLTC	TILT TEMP CUTOFF Tilt motor temperature cutoff activated.
TLTE	TILT TEMP SEN ERR Tilt motor temperature sensor error.
TSER	TILT SENSOR ERR Fixture unable to retrieve reliable data from tilt position sensor.
UECM	UPL ERR CMY Could not upload new CMY software during a firmware upload. Error cleared when new firmware is uploaded successfully or power is cycled off and on.
UEEF	UPL ERR EFFECT Could not upload new effects software during a firmware upload. Error cleared when new firmware is uploaded successfully or power is cycled off and on.
UELD	UPL ERR LED DRV Could not upload new LED driver software during a firmware upload. Error cleared when new firmware is uploaded successfully or power is cycled off and on.
UEPN	UPL ERR PAN Could not upload new pan system software during a firmware upload. Error cleared when new firmware is uploaded successfully or power is cycled off and on.
UETL	UPL ERR TILT Could not upload new tilt system software during a firmware upload. Error cleared when new firmware is uploaded successfully or power is cycled off and on.
UEZF	UPL ERR Z/F Could not upload new zoom/focus system software during a firmware upload. Error cleared when new firmware is uploaded successfully or power is cycled off and on.
UITC	UI TEMP CUTOFF User interface (LCD display and control panel) temperature cutoff activated.
UITE	UI TEMP SEN ERR User interface (LCD display and control panel) temperature sensor error.
WEER	WASH EFFECT ERROR Wash effect position error.
YEER	YELLOW ERROR Yellow flag position error.
ZFTC	ZF TEMP CUTOFF Zoom/focus module temperature cutoff activated.
ZFTE	ZF TEMP SEN ERR Zoom/focus module temperature sensor error.
ZOER	ZOOM ERROR Zoom car position error.

Table 4: Error messages

