

# DCE PSU 240 IP

INDOOR/OUTDOOR POWER SUPPLY UNIT FOR MARTIN CREATIVE LED FIXTURES

SPEC SHEET



## OVERVIEW

The Martin DCE PSU 240 IP is an indoor/outdoor external power supply unit that can supply 48 VDC power and data to Martin Creative LED fixtures and is ideal for install applications. It provides a basic alternative to the P3 PowerPort solutions. It features a rugged extruded aluminum housing, auto-ranging 100-277 VAC power input, and full protection with auto-recovery. It features line-voltage input, Ethernet data input and 1 power+data output for connection of fixtures. It is fitted with internal wiring terminals to facilitate customization of cable lengths on-site and can be wall-mounted.

## FEATURES

- Basic indoor/outdoor power supply unit for install Martin Creative LED fixtures
- Ideal for install applications
- Features 1 power & data output for connection of fixtures
- Fitted with internal wiring terminals, to facilitate customization of cable lengths on-site
- Can be wall-mounted
- IP66 rated

## ORDERING INFORMATION

- Martin DCE PSU 240 IP:.....P/N MAR-90721203

### INCLUDED ITEMS

- 1x Multi-Language Safety & Installation Manual
- Closing plugs installed in all cable glands

### RELATED ITEMS

- Martin P3 PowerPort 2000.....P/N MAR-90721200
- Martin P3 PowerPort 500 IP Rental .....P/N MAR-90721201
- Martin P3 PowerPort 500 IP Install..... P/N MAR-90721202
- Martin DCE DataSplitterBooster IP.....P/N MAR-90721204

## COMPATIBLE FIXTURES

- VDO Sceptron XB
- Exterior Dot-1 Pro (via Exterior DC-Feeder)
- Exterior Dot-4 Pro (via Exterior DC-Feeder)
- Exterior Dot-9 Pro (via Exterior DC-Feeder)
- Exterior Dot-HP Pro

# DCE PSU 240 IP

INDOOR/OUTDOOR POWER SUPPLY UNIT FOR MARTIN CREATIVE LED FIXTURES

SPEC SHEET

## ACCESSORIES

### Pre-Assembled Hybrid DCE Cables

- DC + Ethernet Cable DCE-DCE 1m: ..... P/N MAR-91700100
- DC + Ethernet Cable DCE-DCE 2.5m: ..... P/N MAR-91700101
- DC + Ethernet Cable DCE-DCE 5m: ..... P/N MAR-91700102
- DC + Ethernet Cable DCE-DCE 10m: ..... P/N MAR-91700103
- DC + Ethernet Cable DCE-DCE 25m: ..... P/N MAR-91700104

### Bulk Hybrid DCE Cables

- DC + Ethernet Cable 100m: ..... P/N MAR-91700105
- DC + Ethernet Cable LSZH 100m: ..... P/N MAR-91700106

### Field-Installable DCE Connectors

- Field-installable Connector DCE Male: ..... P/N MAR-91700107
- Field-installable Connector DCE Female: ..... P/N MAR-91700108

### Closing Caps for DCE Connectors

- Closing Cap Male DCE Connector: ..... P/N MAR-91700109
- Closing Cap Female DCE Connector: ..... P/N MAR-91700110

### Hybrid DCE Adapters

- DC + Ethernet Adapter DCE Male-Male: ..... P/N MAR-91700111
- DC + Ethernet Adapter DCE Female-Female: ... P/N MAR-91700112
- DC + Ethernet Adapter EtherCON+Wires to DCE: ..... P/N MAR-91700113
- DC + Ethernet Adapter DCE to EtherCON: ..... P/N MAR-91700114

## TECHNICAL SPECIFICATIONS

### CONSTRUCTION

Color: ..... Clear Anodized Aluminum  
Housing Material: ..... Aluminum  
Protection Rating: ..... IP 66  
NEMA Enclosure Rating: ..... Type 4X  
Impact Resistance: ..... IK 08  
Corrosion Resistance: ..... ISO 12944-6: 2018;  
C5 High, Test regime ISO 9227 , 1440h  
Vibration Resistance: ..... 1.0g Sinusoidal (IEC 60068-2-6) and  
0.7g RMS Random (IEC 60068-2-64)

### INSTALLATION

Orientation: ..... Any  
Mounting: ..... Flanges for installation on flat surface  
Location: ..... Indoor or permanent outdoor

### CONNECTIONS

Power Input: ..... Toolless terminal block  
Cable Gland: ..... 1x M20\*1.5 (power input, supporting  
cables 8-13 mm) incl. closing plug  
Ethernet Input: ..... Toolless splice connection  
Cable Gland: ..... 1x M12\*1.5 (ethernet input, supporting  
cables 5-8 mm) incl. closing plug  
DC Power output: ..... Toolless terminal block  
Network output: ..... Toolless splice connection

Cable Gland: ..... 1x M20\*1.5 (DC power and network output,  
supporting cables 6.5-10.5 mm) incl.  
closing plug

Surge protection: ..... 4 KV

### OUTPUT PORTS

Quantity: ..... 1  
Power: ..... 48 VDC / 5 A  
Ethernet: ..... 100Mbit (P3, sACN, Art-Net)

### ELECTRICAL

AC power: ..... 100-277 V AC nominal, 50/60 Hz  
Power supply unit: ..... Auto-ranging electronic switch mode  
Typical half-cycle RMS inrush  
current at 230 V, 50 Hz: ..... 6.7 A  
Typical earth-leakage current: ... 0.50 mA  
Power Factor: ..... 0.96 @ 100 V / 120 V,  
0.95 @ 208 V / 230 V / 240 V / 277 V  
Max current draw: ..... 3.0 A @ 100 V / 120 V,  
1.5 A @ 208 V / 230 V / 240 V, 1.2 A @ 277 V  
Typical current draw: ..... 2.8 A @ 100 V / 120 V,  
1.3 A @ 208 V / 230 V / 240 V, 1.0 A @ 277 V \*  
Power Consumption:  
Maximum: ..... 240 W  
Typical: ..... 240 W \*  
Idle: ..... 3 W \*

\* Measurements made at nominal voltage. Allow for a deviation of +/- 10%.  
Typical: output at full capacity with all connected fixtures at full output white.  
Idle: output at full capacity with all connected fixtures at zero output.

# DCE PSU 240 IP

INDOOR/OUTDOOR POWER SUPPLY UNIT FOR MARTIN CREATIVE LED FIXTURES

SPEC SHEET

## TECHNICAL SPECIFICATIONS

### THERMAL

Cooling:..... Convection  
Maximum Ambient Temperature (Ta max): ... 40° C (104° F)  
Minimum Ambient Temperature (Ta min):..... -30° C (-22° F)  
Maximum Surface Temperature,  
steady state, at 40° C ambient: ..... 76° C (169° F)  
Typical Heat Dissipation:..... 62 BTU/hr.

### ENVIRONMENTAL

RoHS:..... Compliant  
REACH: ..... Compliant  
WEEE: ..... Compliant  
Proposition 65: ..... Compliant  
FSC:..... Certified cardboard inlay and  
outer packaging

### APPROVALS

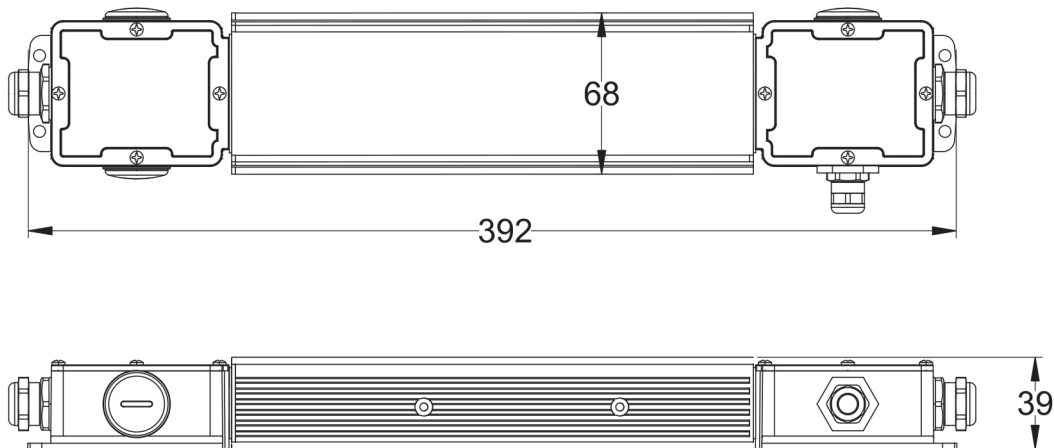
Global CB Certification/IECEE: ..... IEC 61347-2-13  
EU safety:..... EN 61347-2-13, EN 61347-1  
EU EMC:..... EN IEC 55015, EN IEC 61547,  
EN IEC 61000-3-2,  
EN 61000-3-3  
US safety:..... UL 8750  
US EMC:..... FCC Part 15 Class B  
Canadian safety:..... CSA C22.2 No. 250.13  
Canadian EMC:..... ICES-005 Class B  
Australia/NZ:..... RCM  
United Kingdom:..... UKCA



## DIMENSIONS

### PHYSICAL

Length ..... 420.0 mm (16.5 in.)  
Width ..... 86.0 mm (3.4 in.)  
Height ..... 39.0 mm (1.5 in.)  
Weight ..... 1.6 kg (3.6 lbs.)



All measurements are in mm

# DCE PSU 240 IP

INDOOR/OUTDOOR POWER SUPPLY UNIT FOR MARTIN CREATIVE LED FIXTURES

SPEC SHEET

## CONNECTIONS



## P3 POWERPORT FAMILY COMPARISON

	P3 PowerPort 2000	P3 PowerPort 500 IP Rental	P3 PowerPort 500 IP Install	DCE PSU 240 IP
Output Capacity	4 x 480 W	1 x 480 W	1 x 480 W	1 x 240 W
Output Power Control	Full / Half / Hibernation	Full / Half / Hibernation	Full / Half / Hibernation	-
Input / Output	Connectors	Connectors	Cable Glands & Wiring Terminals	Cable Glands & Wiring Terminals
Control	Art-Net, sACN & Martin P3	Art-Net, sACN & Martin P3	Art-Net, sACN & Martin P3	Art-Net, sACN & Martin P3
Daisy-Chaining	Yes	Yes	Yes	No
Local Status Indication	Status Indication LEDs	Status Indication LEDs	Status Indication LEDs	-
Local Test Function	Multi-Function Pushbutton	Multi-Function Pushbutton	Multi-Function Pushbutton	-
Environmental Rating	IP20	IP65	IP66	IP66
Installation	Rack / Truss / Wall	Rack / Truss / Wall	Wall	Wall
Size	482 x 44 x 375 mm (19" rack-mount 1U)	217 x 44 x 365 mm (19" rack-mount 1/2U)	325 x 84 x 385 mm	420 x 39 x 86 mm
Weight	6.8 kg (15.0 lbs)	3.5 kg (7.7 lbs)	9.5 kg (20.9 lbs)	1.6 kg (3.6 lbs)