

ELP PAR IP

STATIC RGBW LED PAR FIXTURE WITH ZOOM IP65 RATED

SPEC SHEET



Martin ELP PAR IP static LED fixture sets a new standard in the static wash category, with unprecedented lumen output, high-intensity narrow zoom, full-gamut color calibration and smart rigging and control features. This fixture is ideal for indoor or outdoor applications with an IP65 rating for protection against dust and water ingress. This successor to the best-selling Martin RUSH PAR 2 static LED offers twice the brightness of its predecessor, thanks to its next-gen light engine and optical system.

The ELP PAR IP makes installation faster and easier, thanks to a quick-focus system and bright angle of projection indicators. Other performance enhancements include a wide zoom range that supports both stage illumination and tight mid-air beam effects, an advanced color-calibration system that delivers accurate color reproduction and precise color temperature control, an extended color mode and a CTC channel that can modify the color space.

COMMON APPLICATIONS

Whether lighting an outdoor or indoor theatre production, festival, exhibition or corporate event, the ELP PAR IP fills the stage with color and creates stunning beam effects to set a new performance benchmark for its class.

FEATURE HIGHLIGHTS

BRIGHTNESS THAT GOES THE DISTANCE

The ELP PAR IP delivers a class-leading 3,350 lumens of output thanks to its newly designed 7 x 40W RGBW light engine. It's perfect for covering larger stages that require long throw distances.

HIGH-INTENSITY ZOOM

ELP PAR IP's next-generation zoom system excels at creating both broad washes and high-intensity mid-air effects, bringing new flexibility to the lighting designer's toolbox.

SMART SETUP FEATURES

Streamline setup with smart rigging and control features, including omega-bracket-connectivity and bright angle of projection indicator marks for quick and repeatable installation. With the push of a button, the fixture temporarily switches to full-power/open-white/adjustable-zoom settings to instantly confirm projection and focus.

ALL-WEATHER IP65-RATED PROTECTION

The ELP PAR IP is perfect for outdoor applications. It's IP65 rated for protection from water and dust. The ELP PAR IP's robust, sealed design supports fewer maintenance cycles.

FULL-GAMUT COLOR CALIBRATION

The ELP PAR features a full-gamut color-calibration system, which allows consistent color reproduction from fixture to fixture and supports a dedicated color temperature control channel for adjusting the color space from the desired color temperature.

ELP PAR IP

STATIC RGBW LED PAR FIXTURE WITH ZOOM IP65 RATED

SPEC SHEET

FEATURES

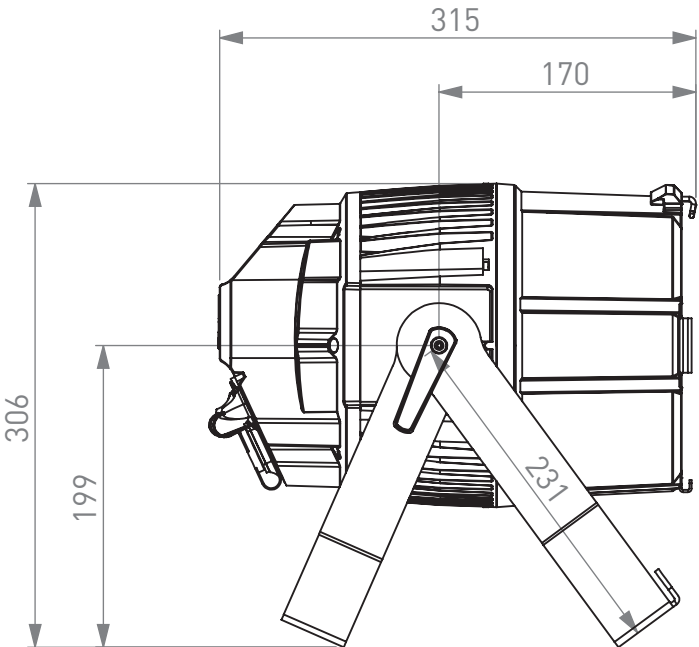
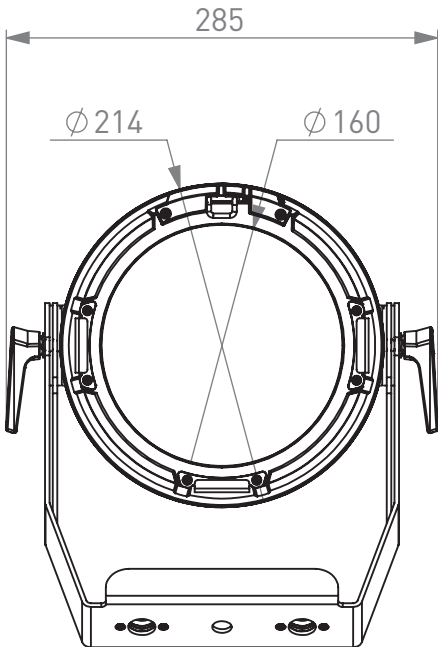
- **Light engine:** 7 x 40W RGBW
- **Full-gamut color-calibration** system
- **CTC control:** 1,800 - 12,850 K
- **Quick Focus mode** allows installation and focusing without the need for a console operator
- **Clear of projection** indicators allow quick installation
- **Angled power and data connections** support a clean cable run that does not impede the fixture or installation
- **Included truss and floor-mounting yoke** with omega bracket connectivity
- **Lumen output:** 3,350
- **Zoom:** 5.5 - 50°
- **Intensity:** 329,058 cd
- **IP65** rating
- **Dimensions:** 315 x 285 x 498 mm (12.4 x 11.3 x 15.7 in) (inc. bracket)
- **Weight:** 9.1 kg (20 lbs)

DIMENSIONS

PHYSICAL

Length 315 mm (12.4 in.)
Width 285 mm (11.3 in.)

Height 398 mm (15.7 in.) with bracket
Weight 9.1 kg (20.1 lbs.)



All dimensions are in mm



ELP PAR IP

STATIC RGBW LED PAR FIXTURE WITH ZOOM IP65 RATED

SPEC SHEET

ORDERING INFORMATION

- ELP PAR IP
in cardboard box P/N MAR-9080010

INCLUDED ITEMS

- Adjustable mounting bracket

ACCESSORIES

POWER INPUT CABLES, 16 A

- Power Input Cable, H07RN-F, 2.5 mm²,
bare ends to TRUE1 NAC3FX-W
TOP (female), 1.5 m (4.9 ft.) P/N 91611797
- Power Input Cable, SJ00W, 12 AWG,
bare ends to TRUE1 NAC3FX-W
TOP (female), 1.5 m (4.9 ft.) P/N 91610173

POWER RELAY CABLES, 16 A, FOR RELAYING POWER TO FIXTURES IN CHAINS

- Power Relay Cable, H07RN-F, 2.5 mm²,
TRUE1 to TRUE1, 2.5 m (8.2 ft.) P/N 91611796
- Power Relay Cable, SJ00W, 12 AWG,
TRUE1 to TRUE1, 2.5 m (8.2 ft.) P/N 91610172

POWER CONNECTORS

- Cable Connector, Neutrik powerCON
TRUE1 NAC3FX-W TOP (female) P/N 91611789HU
- Cable Connector, Neutrik powerCON
TRUE1 NAC3MX-W TOP (male) P/N 91611788HU

INSTALLATION HARDWARE

- Martin Omega bracket for rigging
clamp attachment P/N 91602001
- Half-coupler clamp P/N 91602005
- G-clamp
(suspension vertically downwards only) P/N 91602003
- Quick-trigger clamp
(suspension vertically downwards only) P/N 91602007
- Safety Cable, SWL 60 kg,
BGV C1 / DGUV 17, black P/N 91604006
- Safety Cable, SWL 60 kg,
BGV C1 / DGUV 17, silver P/N 91604007

RELATED ITEMS

- Martin Companion software suite (incl. firmware uploader)
Free download from www.martin.com
- Martin Companion Cable USB/DMX
hardware interface P/N 91616091



ELP PAR IP

STATIC RGBW LED PAR FIXTURE WITH ZOOM IP65 RATED

SPEC SHEET

TECHNICAL SPECIFICATIONS

DYNAMIC EFFECTS

Color mixing	RGBW
Color presets	48 color presets, virtual color wheel effects
Color temperature	Variable 1800 - 12 850 K
Electronic dimming	0 - 100%, four dimming curve options
Strobe and pulse effects	Variable speed and action, random strobe
Electronic 'shutter' effect	Instant open and blackout
Zoom	Motorized

CONTROL AND PROGRAMMING

Control options	DMX, RDM
DMX channels	14
16-bit fine control	Dimming, RGB, Zoom
LED color management modes	Raw, extended and calibrated
DMX address setting	Control panel with OLED display
DMX compliance	USITT DMX512-A
RDM compliance	ANSI/ESTA E1.20

OPTICS

Light source	7 x 40 W RGBW Osram LEDs
Minimum LED lifetime	50 000 hours (to >70% luminous output)*
Maximum output	3,350 lumens
Beam angle (half-peak)	4.4 - 33.3°
Field angle (one-tenth peak)	5.5 - 50.0°
Binning	Tight color and flux binning
Calibration	Full Gamut and Color Calibration

*Figure obtained under manufacturer's test conditions

PHOTOMETRIC DATA

Wide beam	3,350 lumens
Narrow beam	1,626 lumens
Fixture Center Intensity Narrow beam	329,058 cd
Fixture Center Intensity Wide beam	10141 cd
CRI (Color Rendering Index)	>70
CQS (Color Quality Scale)	84
TM-30 Rf (IES TM-30-15 Fidelity Index)	79
TM-30 Rg (IES TM-30-15 Gamut Index)	116
TLCI (Television Lighting Consistency Index)	61
CCT	6,500 K
LED refresh rate - Standard Mode	3,600 Hz
LED refresh rate - Theatre Mode	19,200 Hz

*All Photometric Data measured in steady state (30 minutes warm-up time) at 25°C ambient

CONSTRUCTION

Filter mount	191 x 191 mm (7.5 x 7.5 in.)
Color	Black
Housing	Aluminum and composite
Ingress protection rating	IP65

INSTALLATION

Mounting points	Adjustable bracket, surface or truss mount (fits Martin Omega Bracket)
Location	Wet locations, temporary outdoor use, not for household use
Orientation	Any
Minimum distance to illuminated surfaces	1 m (3.3 ft.)
Minimum distance to combustible material	0.5 m (1.7 ft.)
Minimum clearance around fans and vents	0.5 m (1.7 ft.)

CONNECTIONS

AC power in and thru	Neutrik PowerCON TRUE1 TOP
DMX data in and thru	Neutrik IP-rated 5-pin locking XLR

ACOUSTIC DATA

Sound Pressure Level (LpA) @ 1 m (default regulated fan mode, full output)	40.9 dB(A)
Sound Pressure Level (LpA) @ 1 m (constant fan mode ultra low)	37.9 dB(A)

ELECTRICAL

AC power	100-240 V nominal, 50/60 Hz
Power supply unit	Auto-ranging electronic switch mode
Maximum half-cycle RMS inrush current at 230 V, 50 Hz	11.2 A
Power Factor	0.99 @ 100 V / 120 V, 0.94 @ 220 V / 230 V / 240 V
Typical current draw	3.7 A @ 100 V / 120 V, 1.7 A @ 220 V / 230 V / 240 V *

POWER CONSUMPTION

Typical	300 W*
Hibernation	2 W *

*Measurements made at nominal voltage. Allow for a deviation of +/- 10%.
Typical: full output white, no effects moving, regulated fan speed.
Hibernation: no output, motors de-energized, fans stopped, wake-up procedure to re-use fixture.

THERMAL

Maximum surface temperature	71° C (160° F)
Cooling	Forced air (temperature regulated, low noise)
Maximum ambient temperature (Ta max.)	40° C (104° F)
Minimum ambient temperature (Ta min)	-10° C (14° F)
Total heat dissipation*	1126 BTU/hr.

*Calculated, +/- 10%, at full intensity, full white

ELP PAR IP

STATIC RGBW LED PAR FIXTURE WITH ZOOM IP65 RATED

SPEC SHEET

TECHNICAL SPECIFICATIONS (Cont.)

THERMAL

Cooling	Forced air (temperature regulated, low noise)
Maximum ambient temperature (Ta max.)	40° C (104° F)
Minimum ambient temperature (Ta min)	-10° C (14° F)
Maximum surface temperature	71° C (160° F)
Total heat dissipation (calculated, +/- 10%)	1126 BTU/hr.

ACOUSTIC DATA

Sound Pressure Level (LpA) @ 1 m (default regulated fan mode, full output)	40.9 dB(A)
Sound Pressure Level (LpA) @ 1 m (constant fan mode ultra low)	37.9 dB(A)

ENVIRONMENTAL

RoHS	Compliant
REACH	Compliant
WEEE	Compliant
Proposition 65	Compliant
Efficacy (max output)	14.3 lm/W
LWR*	385 lm/kg (174 lm/lb)

*LWR = Lumen-to-Weight Ratio

APPROVALS

Global CB Certification/IECEE	IEC 60598-2-17 (IEC 60598-1)
EU safety	EN 60598-2-17 (EN 60598-1), EN 62471, EN 62493
EU EMC	EN 55015, EN 55032, EN 55035, EN 61000-3-2, EN 61000-3-3, EN 61547
US safety	UL 1573
US EMC	FCC Part 15 Class B
Canadian safety	CSA C22.2 No. 166
Canadian EMC	ICES-003 Class B, ICES-005 Class B
Australia/NZ	RCM
United Kingdom	UKCA
Australia/NZ	RCM
United Kingdom	UKCA
RoHS	Compliant
REACH	Compliant
WEEE	Compliant
Proposition 65	Compliant

