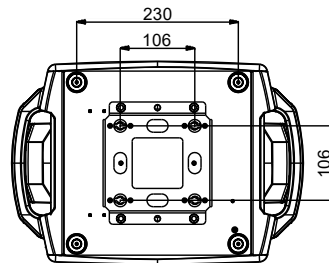
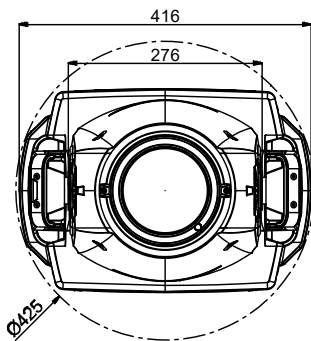
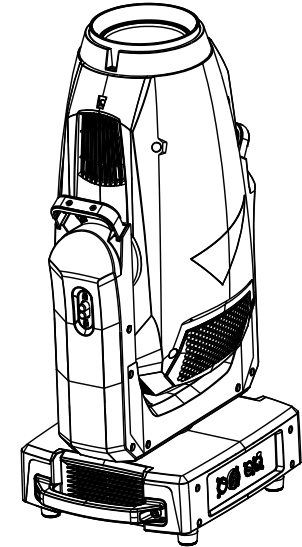
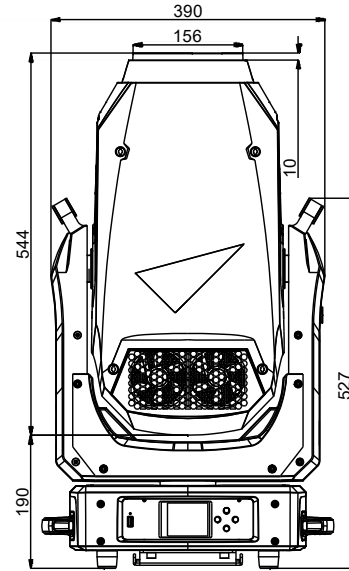
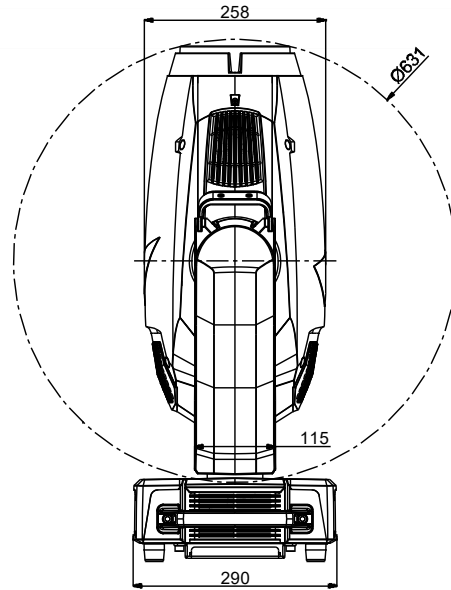
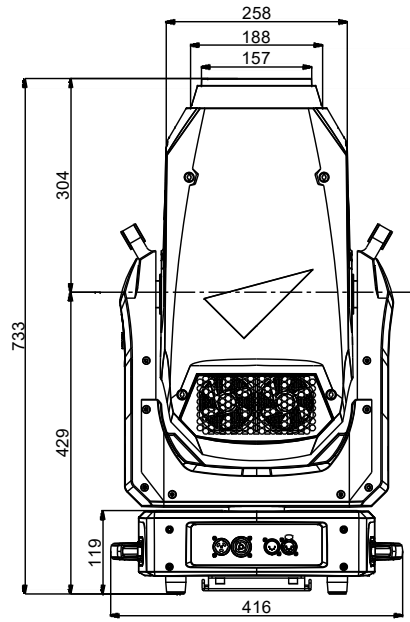
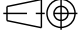



REVISION HISTORY

DATE	REV.	DESCRIPTION	BY



General Technical Specification apply to this item

© 2019 HARMAN Professional Denmark ApS PROPRIETARY AND CONFIDENTIAL PROPERTY OF HARMAN. DO NOT DISCLOSE, REPRODUCE, OR PUBLISH WITHOUT WRITTEN HARMAN APPROVAL.	Material:nylon+fiber	FIRST ANGLE PROJECTION 	 HARMAN Professional Denmark ApS Chief Palmes Allé 44 DK 8200 Aarhus N	
	General linear tolerance:/		Surface treatment:baking finish	TITLE: (Model in view )
<b>ROHS</b> RESTRICTION OF HAZARDOUS SUBSTANCES ALL MATERIALS USED IN THIS PART MUST BE ROHS COMPLIANT.	General angular tolerance:/	Color:black	NO. REV	
SUPPLIER SHALL PROVIDE A CERTIFICATE OF ROHS COMPLIANCE WITH THE FIRST ARTICLE.	General geometrical tolerance:/	Project number:ERA600 3D dimensions	SIZE A2	SCALE 1:5
DIMENSIONS SHOWN ARE FOR REFERENCE AND INSPECTION ONLY. REFER TO CAD MODEL PROVIDED WITH THIS DRAWING FOR OVERALL DEFINITION OF PART GEOMETRY.		UNIT mm	DO NOT SCALE DRAWING	SHEET 1 OF 1