

EXTERIOR DC-FEEDER

MULTI-PROTOCOL, LOW-VOLTAGE DRIVER BOX FOR EXTERIOR DOT -1/4/9 PRO

SPEC SHEET



OVERVIEW

The **Martin Exterior DC-Feeder** is a smart, multi-protocol driver box for the **Exterior Dot-1/4/9 Pro** series. Its compact design and IP66 rating make it perfectly suited for discrete installations of Exterior Dot-1/4/9 Pro strings. The **Exterior DC-Feeder** provides the string with clean, regulated power, even if the power supply is located at significant distances from the fixture. The **Exterior DC-Feeder** is compatible with Martin P3 PowerPort 2000, Martin P3 PowerPort 500 IP, Martin DCE PSU 240 IP, and third-party 48 VDC power supplies.

Unifying unparalleled performance, adaptability, and intuitive operation, the Exterior Dot Pro family doesn't just enable lighting designers and professionals to surpass the limitations of traditional systems, it inspires them to redefine the boundaries of creative video design.

KEY MESSAGES

MULTIPLE CONTROL OPTIONS

Exterior DC-Feeder simplifies control by integrating industry standard Art-Net and sACN control protocols, or Martin's award-winning P3 control protocol. A smart, stand-alone mode via Martin Companion is also included. These control options provide maximum flexibility to system designers and integrators.

SIMPLE YET ROBUST INFRASTRUCTURE

Exterior DC-Feeder utilizes a simple, yet robust flexible infrastructure to deliver more cost-effective system solutions and easier installs, allowing for long daisy-chains and high quantity of dots. The Exterior DC-Feeder connects directly to P3 PowerPorts family for fast and reliable installations.

HIGHLY ERGONOMIC INSTALLATION

The **Exterior DC-Feeder** does not require any local configuration or setup. It features a local status indication LEDs and a test button, for local diagnostics and test even without the need of a controller.

DESIGNED FOR PERMANENT, OUTDOOR USE

The **Exterior DC-Feeder** protects all inputs and outputs against overload and surge conditions. Built-in fail-safe bypass technology ensures that a single unit failure will not disrupt the entire network.

It meets rigorous environmental standards and are backed by a 5-year warranty.

EXTERIOR DC-FEEDER

MULTI-PROTOCOL, LOW-VOLTAGE DRIVER BOX FOR EXTERIOR DOT -1/4/9 PRO

SPEC SHEET

PRODUCT FEATURES

- Fully-weatherized housing (IP66, IK08 and C-5 High corrosion rating)
- Martin P3/Art-Net/sACN compatible (automatic protocol detection)
- 48 VDC input
- Fail-safe bypass of Ethernet signal
- Local status LED and pushbutton to call up test patterns
- Setup and Addressing via RDM over Art-Net or Martin P3
- Real-time status feedback via RDM over Art-Net and Martin P3
- Thermal protection with automatic power reduction
- Hybrid power + data input (single cable for power and data input)
- Hybrid power + data thru (to daisy-chain multiple DC-Feeders)
- Hybrid power + data output (to Exterior Dot Pro strings)
- Hot-pluggable connectors
- Surface- and truss-mountable
- Shipped in FSC-certified cardboard packaging
- 5-year warranty

TECHNICAL SPECIFICATIONS

CONTROL AND PROGRAMMING

Control protocols.....	Martin P3, Art-Net or sACN
Protocol detection	Automatic
RDM Compliance (over Art-Net)	ANSI/ESTA E1.20
Art-Net Compliance	Art-Net 1, 2, 3 and 4; including RDM over Art-Net
sACN Compliance	ANSI E1.31 - 2016
Martin P3 Compliance	P3 System Controller Software 6.1.0 or newer
Ethernet Transceiver.....	10/100Mbit (with fail-safe bypass)
Fixture identification	User-settable ID number
Setting and addressing	Martin P3 System controller or RDM (over Art-Net)--compliant controller
Firmware update	Via Ethernet using Martin Companion / P3 System Controller

CONTROL/USER INTERFACE

Device status.....	Multicolor status LED
Device test and reset	Pushbutton to call up local test patterns and reset device.

CONSTRUCTION

Color.....	Black
Housing	Aluminum
Surface treatment	Anodized and electrostatic powder-coated
Effective Projected Area (EPA).....	0.029 m ²
Protection rating.....	IP66
Impact resistance	IK08
Corrosion resistance	C5 High (ISO 12944-6)
Vibration resistance	1.0g, Sinusoidal (IEC 60068-2-6), 0,7g RMS Random (IEC 60068-2-64), 3.0g (ANSI C136-31)

INSTALLATION

Orientation.....	Any
Surface mounting	Four M6 mounting slots.
Truss mounting	M12 mounting hole for standard rigging clamp

CONNECTIONS

Input	DCE connector cable tail for Power & data input, IP67
Thru.....	DCE connector cable tail for Power & data thru, IP67
Output	Cable tail with connector for Exterior Dot Pro string, IP67
Protection	Hot-pluggable

ELECTRICAL

Nominal input voltage	48 VDC +/- 4%
Power supply options	Martin P3 PowerPort 2000, P3 PowerPort 500 IP Install, P3 PowerPort 500 IP Rental, Martin DCE PSU 240 IP or generic 48 VDC PSU
Output voltage	15 VDC
Surge protection	4 KV

POWER CONSUMPTION

Max.....	110 W at full load
Idle	5.0 W
Hibernation	2.2W

* Measurements made at nominal voltage. Allow for a deviation of +/- 10%.
Idle: all LEDs at zero intensity. Maximum at full intensity, full white. Idle at zero intensity. Hibernation: zero intensity, wake-up procedure to re-use fixture.

EXTERIOR DC-FEEDER

MULTI-PROTOCOL, LOW-VOLTAGE DRIVER BOX FOR EXTERIOR DOT -1/4/9 PRO

SPEC SHEET

TECHNICAL SPECIFICATIONS (Cont.)

THERMAL

Cooling Convection
Max. ambient temperature (Ta max.) ... 55° C (131° F)*
Min. ambient temperature (Ta min.) -30° C (-22° F)
Total heat dissipation
(calculated, +/- 10%) 34 BTU/hr at full load
Thermal Protection Integrated temperature sensor
**Above this temperature, the AC-Feeder regulates output to protect from overheating.*

ENVIRONMENTAL

RoHS Compliant
REACH Compliant
WEEE Compliant
Proposition 65 Compliant
FSC Certified cardboard inlay and outer box

APPROVALS

EU safety EN 62368-1
EU EMC EN55032, EN55035, EN61000-3-2,
EN61000-3-3
US safety UL 62368-1
US EMC FCC 47 CRF § 15 Class A
Canadian safety CSA C22.2 No. 62368-1
Canadian EMC ICES-003 Class A
Australia/NZ RCM
United Kingdom UKCA



RELATED ITEMS

- Martin P3 PowerPort 2000 P/N MAR-90721200
- Martin P3 PowerPort 500 IP Rental P/N MAR-90721201
- Martin P3 PowerPort 500 IP Install P/N MAR-90721202
- Martin DCE PSU 240 IP P/N MAR-90721203
- DCE DataSplitterBooster IP P/N MAR-90721204
- P3-175 System Controller P/N MAR-90721100
- P3-275 System Controller P/N MAR-90721101
- Martin P3-PC System Controller Free download from martin.com
- Martin Companion Software Free download from martin.com
- Exterior Dot-1 Pro, 115mm, 100pcs, 2m lead-in P/N MAR-90580000
- Exterior Dot-4 Pro, 200mm, 64 pcs, 2m lead P/N MAR-90580001
- Exterior Dot-9 Pro, 400mm, 36pcs 2m lead P/N MAR-90580002

ACCESSORIES

- DC + Ethernet Cable, DCE to DCE 1 m (3.3 ft.) P/N MAR-91700100
- DC + Ethernet Cable, DCE to DCE 2.5 m (8.2 ft.) P/N MAR-91700101
- DC + Ethernet Cable, DCE to DCE 5 m (16.4 ft.) P/N MAR-91700102
- DC + Ethernet Cable, DCE to DCE 10 m (32.8 ft.) P/N MAR-91700103
- DC + Ethernet Cable, DCE to DCE 25 m (82.1 ft.) P/N MAR-91700104
- DC + Ethernet Cable 100m P/N MAR-91700105
- DC + Ethernet Cable LSZH 100m P/N MAR-91700106
- Field-installable Connector DCE Male P/N MAR-91700107
- Field-installable Connector DCE Female P/N MAR-91700108
- DC + Ethernet Adapter DCE Male-Male P/N MAR-91700111
- DC + Ethernet Adapter DCE Female-Female P/N MAR-91700112
- DC + Ethernet Adapter Ether+Wires to DCE P/N MAR-91700113
- DC + Ethernet Adapter DCE to EtherCON P/N MAR-91700114
- Closing Cap Male DCE Connector P/N MAR-91700109
- Closing Cap Female DCE Connector P/N MAR-91700110

ORDERING INFORMATION

- Exterior DC-Feeder P/N MAR-90580004

EXTERIOR DC-FEEDER

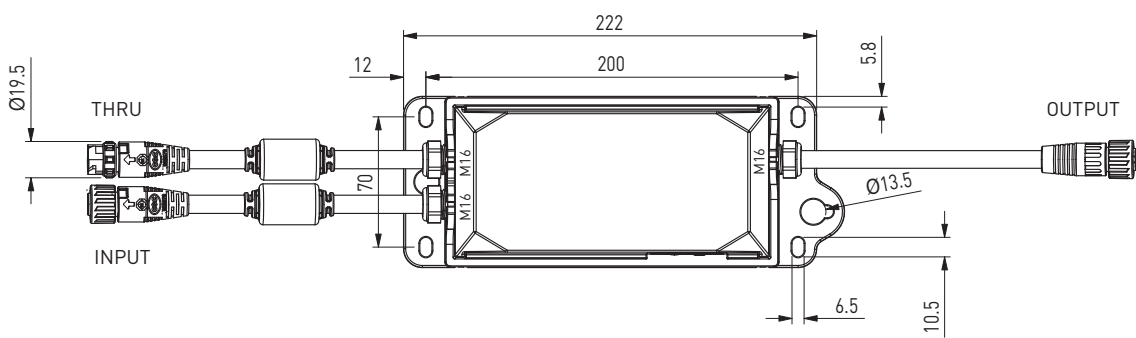
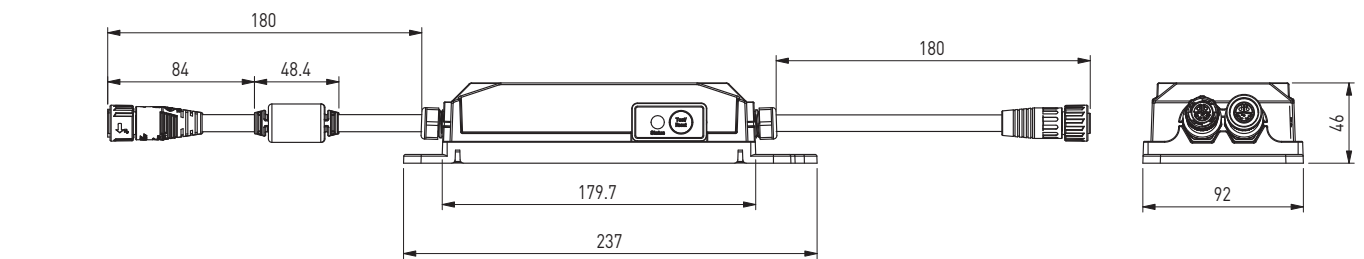
MULTI-PROTOCOL, LOW-VOLTAGE DRIVER BOX FOR EXTERIOR DOT -1/4/9 PRO

SPEC SHEET

DIMENSIONS

PHYSICAL

- Length..... 237 mm (9.3 in.) including flange bracket
- Width..... 92 mm (3.6 in.)
- Height..... 46 mm (1.8 in.)
- Weight..... 1.4 kg (3.1 lbs.)



All dimensions are in mm