

EXTERIOR DOT-4 PRO

OUTDOOR-RATED, STRING-BASED RGBW LED DOTS - MEDIUM

SPEC SHEET



OVERVIEW

Exterior Dot-4 Pro is a lightweight string of individually-controllable RGBW-based Dots, useful in creating customized LED video solutions with maximum artistic flexibility and minimal effort. Each Exterior Dot is color- and brightness-calibrated for superior visual consistency across the entire installation. **Exterior Dot-4 Pro** is controllable via Martin P3 System Controllers or any sACN or Art-Net-based controller. It is the perfect solution for integrating LED video technology into façades, landmarks, architectural elements or any other structure, indoors or out. **Exterior Dot-4 Pro** strings are fully configurable in terms of number of Dots, pixel pitch, and length of lead-in cable for perfect integration into architectural elements.

Mapping video onto Exterior Dots is quick and intuitive via the P3 System Controller, eliminating the need for complex setups and time-consuming addressing.

Each **Exterior Dot-4 Pro** includes four RGBW LEDs with a total luminous intensity of 20 candela.

KEY MESSAGES

HIGHER OUTPUT

Exterior Dot Pro models deliver premium brightness and extraordinary light quality, based on highly efficient RGBW LEDs.

EFFICIENT COLOR BOOST

Exterior Dot Pro color boost technology is extremely efficient, resulting in higher lumen output on saturated and mixed colors than traditional systems.

SMART DESIGN KIT

The Exterior Dot Pro solution includes a variety of smart accessories to empower lighting designers with a smart design kit of creative options to support a wide array of applications.

MULTIPLE CONTROL OPTIONS

Exterior Dot Pro simplifies control by integrating industry standard Art-Net and sACN control protocols, or Martin's award-winning P3 control protocol. A smart, stand-alone mode via Martin Companion is also included.

SIMPLE YET ROBUST INFRASTRUCTURE

Exterior Dot Pro utilizes a simple, yet robust flexible infrastructure to deliver more cost-effective system solutions and easier installs, allowing for longer daisy-chains and high fixture runs.

DESIGNED FOR PERMANENT, OUTDOOR USE

The Exterior Dot Pro family meet rigorous environmental standards and are backed by a 5-year warranty. This family is designed for permanent outdoor and outdoor installations.

EXTERIOR DOT-4 PRO

OUTDOOR-RATED, STRING-BASED RGBW LED DOTS - MEDIUM

SPEC SHEET

PRODUCT FEATURES

- Flexible, string-based, direct-view LED lighting
- Powered via Exterior AC-Feeder or Exterior DC-Feeder
- Fully-weatherized housing (IP66, IK08 and C-5 High corrosion rating)
- Martin P3/Art-Net/sACN compatible (automatic protocol detection)
- Setup and Addressing via RDM over Art-Net or Martin P3
- Real-time status feedback via RDM over Art-Net and Martin P3
- Individually-controllable RGBW Dots
- Color boost for bright, saturated, and mixed colors
- Dedicated color temperature control channel
- In-built Effect Macros (FX) for easy creation of stunning looks
- Up to 64 Dots per string
- Reduced power mode for cost-effective systems
- Configurable number of dots, pixel pitch, and lead-in cable length
- Superior color and brightness consistency based on factory calibration
- Stand-alone programming with up to 20 scenes
- Intuitive mapping and addressing via P3 System Controller family
- Smart accessories such as diffused dome and glare shield
- Easy and safe mounting options using brackets or profiles
- Hot-pluggable string connector
- Shipped in FSC-certified cardboard packaging
- 5-year warranty

ORDERING INFORMATION

- Exterior Dot-4 Pro, 200mm, 64pcs, 2m lead P/N MAR-90580001

Other configurations available upon request

RELATED ITEMS

- Exterior AC-Feeder P/N MAR-90580003
- Exterior DC-Feeder P/N MAR-90580000
- Double string cable adapter..... P/N MAR-90580024
- Martin P3 PowerPort 2000 P/N MAR-90721200
- Martin P3 PowerPort 500 IP Rental..... P/N MAR-90721201
- Martin P3 PowerPort 500 IP Install P/N MAR-90721202
- Martin DCE PSU 240 IP P/N MAR-90721203
- DCE DataSplitterBooster IP P/N MAR-90721204
- Martin P3-175 System Controller P/N MAR-90721100
- Martin P3-275 System Controller P/N MAR-90721101
- Martin P3-PC System Controller Free download from martin.com
- Martin Companion Software Free download from martin.com

ACCESSORIES

- Dome kit Dot-4 Pro, grey, set of 10..... P/N MAR-90580012
- Dome kit Dot-4 Pro, black, set of 10..... P/N MAR-90580015
- Mnt bracket Dot-4 Pro, grey, set of 10..... P/N MAR-90580009
- Mnt bracket Dot-4 Pro, black, set of 10..... P/N MAR-90580033
- Glare kit Dot-4 Pro, grey, set of 10..... P/N MAR-90580006
- Glare kit Dot-4 Pro, black, set of 10..... P/N MAR-90580030
- Mounting profile Dot-4 Pro, 2 meter..... P/N MAR-90580018
- End cap mounting profile Dot-4 Pro, set of 2..... P/N MAR-90580027
- Splice connector, set of 10 P/N MAR-90580020
- String termination cap, set of 10 P/N MAR-90580021
- Loose ribbon cable (10 meter) P/N MAR-90580022
- Active Lead-In Cable Extender (5 meter) P/N MAR-90580023



EXTERIOR DOT-4 PRO

OUTDOOR-RATED, STRING-BASED RGBW LED DOTS - MEDIUM

SPEC SHEET

TECHNICAL SPECIFICATIONS

CONTROL AND PROGRAMMING

Control protocols	Martin P3, Art-Net or sACN
Protocol detection	Automatic
RDM Compliance (over Art-Net)	ANSI/ESTA E1.20
Art-Net Compliance	Art-Net 1, 2, 3 and 4; including RDM over Art-Net
sACN Compliance	ANSI E1.31 – 2016
Martin P3 Compliance	P3 System Controller Software 6.1.0 or newer
Control resolution	16-bit (P3) or 8-bit (DMX) control of each color
DMX Modes	Standard, Extended, Raw, PixelMap (6 pixel modes)
DMX Channels	6, 12, 4, 3, 12, 24, 48, 96, 192

OPTICS

Light source	4 RGBW LEDs
Minimum LED lifetime	100,000 hours (to >70% luminous output)*
LED manufacturer	Lumileds
Binning	Tight color and flux binning
Calibration	Full Gamut Pixel Calibration

*Figure obtained under manufacturer's test conditions. at $T_a = 25^\circ C$

PHOTOMETRIC DATA

Viewing angle Clear front	150°
Cut-off angle glare shield	120°
Viewing angle Diffused dome	180°

LUMINOUS INTENSITY

	Clear front	Diffused dome
Full@6500K	20 cd	7 cd

LUMINOUS OUTPUT*

	Clear front	Diffused dome
Full@6500K	60 lm	35 lm
Red	21 lm	13 lm
Green	62 lm	37 lm
Blue	16 lm	10 lm

* All Photometric Data measured in steady state (30 minutes warm-up time) at 25°C ambient.

CONSTRUCTION

Dot	Clear polycarbonate, black silicone filled
Diffuser dome	White translucent polycarbonate
Glare shield and bracket	Traffic grey RAL 7042 polycarbonate
Interconnecting cable	6 x 20 AWG, black
Minimum cable bend radius	15 mm (0.59 in.)
Protection rating	IP67
Corrosion resistance	C5 High (ISO 12944-6)
Vibration resistance	1.0g, Sinusoidal (IEC 60068-2-6), 0.7g RMS Random (IEC 60068-2-64), 3.0g (ANSI C136-31)

INSTALLATION

Mounting Points	Mounting bracket, mounting profile, four integrated mounting holes for cable ties
Orientation	Any

CONNECTIONS

Power & data input to string from Feeder	Custom 8-pin connector, IP67-rated
--	------------------------------------

ELECTRICAL

Power and data converter	Exterior AC-Feeder or Exterior DC-Feeder
Operating voltage	15 VDC

POWER CONSUMPTION

Maximum	1.5 W per Dot
Typical	0.5 W per Dot
Idle	0 W per Dot

* Measurements made at nominal voltage. Allow for a deviation of +/- 10%. Idle: all LEDs at zero intensity

Maximum at full intensity, full white, Typical at video content, Idle at zero intensity

THERMAL

Cooling	Convection
Maximum ambient temperature (Ta max.)	55° C (131° F)
Minimum operating temperature (Ta min)	-30° C (-22° F)
Peak heat dissipation (calculated, at full intensity, full white)	5.1 BTU/hr.
Typical heat dissipation (calculated, with typical video content)	1.7 BTU/hr.*

*Figures for typical video content are indicative only and will vary.

EXTERIOR DOT-4 PRO

OUTDOOR-RATED, STRING-BASED RGBW LED DOTS - MEDIUM

SPEC SHEET

TECHNICAL SPECIFICATIONS

ENVIRONMENTAL

RoHS	Compliant
REACH	Compliant
WEEE	Compliant
Proposition 65	Compliant
Packaging	FSC certified cardboard inlay and outer packaging
Efficacy (max output)	40 lm/W
LWR*	1300 lm/kg (590 lm/lb)

*LWR = Lumen-to-Weight Ratio

APPROVALS

Global CB Certification/IECEE	IEC 62368-1
EU Safety	EN62638-1
EU EMC	EN 55032, EN55035, EN 61000-3-2, EN 61000-3-3
US safety	UL 62638-1
US EMC	47 CFR Part 15 Class A
Canadian safety	CSA C22.2 No. 60238-1
Australia/NZ	RCM
United Kingdom	UKCA
India	BIS IS 10322 (Part5/section7)



DIMENSIONS

PHYSICAL

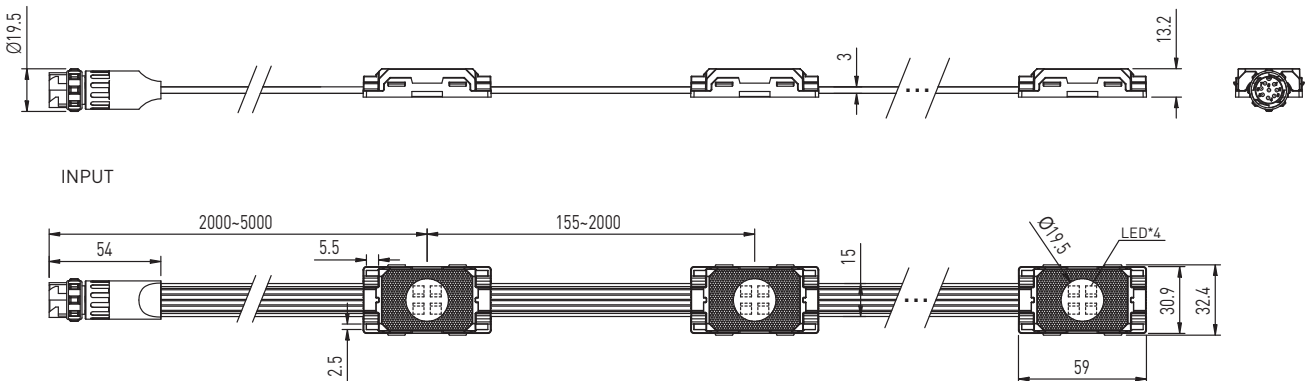
Pixel dimensions	59 x 32.4 x 13.2 mm (2.3 x 1.27 x 0.52 in.)
Pixel dimensions with dome	59 mm x 28.7 mm x 28.8 mm (2.3 x 1.27 x 1.13 in.)
Weight	2.96 kg (6.5 lbs.) for 64 Dots, 200 mm [7.87 in.] spacing, with 2 m (6.6 ft.) lead-in cable and connector

CONFIGURABLE STRING-BASED DOTS*

Maximum number of pixels per string	64
Standard pixel spacing (pitch)	200 mm [8.0 in.]
Minimum pixel spacing (pitch)	155 mm [6.1 in.]
Maximum pixel spacing (pitch)	2000 mm [48.8 in.]
Standard lead-in cable length	2 m [78.8 in.]
Maximum lead-in cable length	5 m [196.9 in.]**

* Refer to system diagram for configuration details

**Up to 10 m using Active Lead-In Cable Extender



All dimensions are in mm

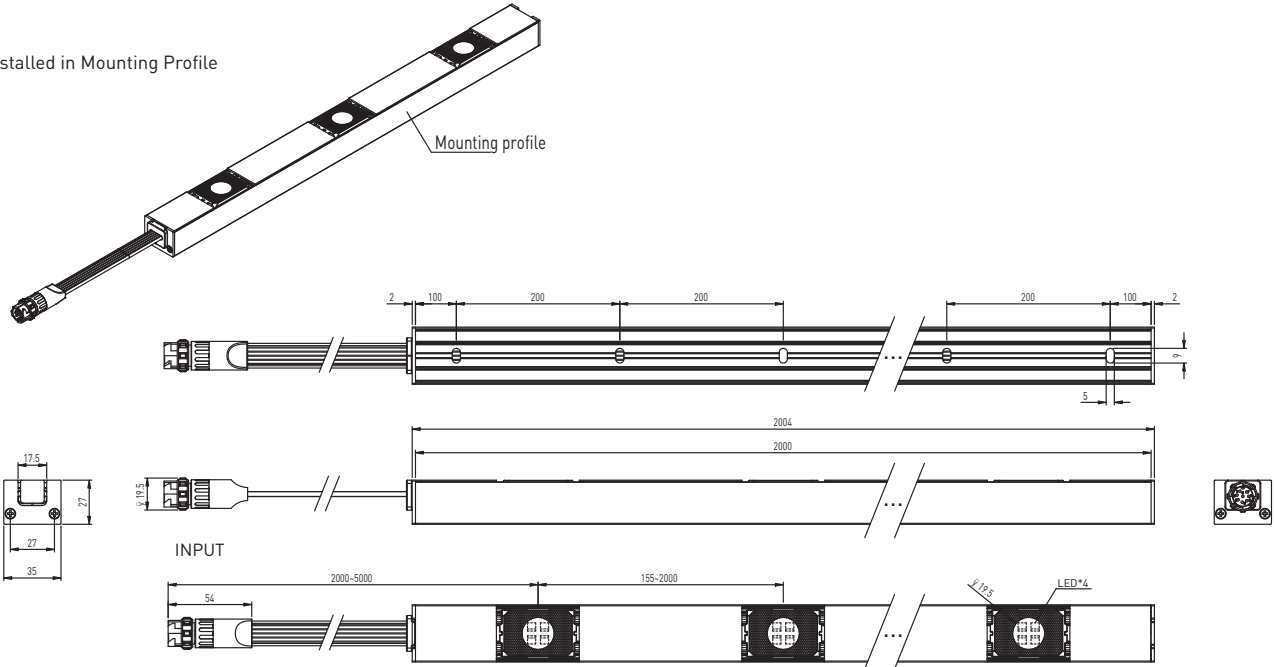
EXTERIOR DOT-4 PRO

OUTDOOR-RATED, STRING-BASED RGBW LED DOTS - MEDIUM

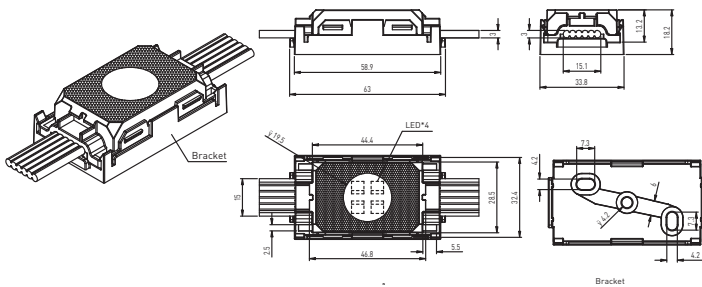
SPEC SHEET

DIMENSIONS (Cont.)

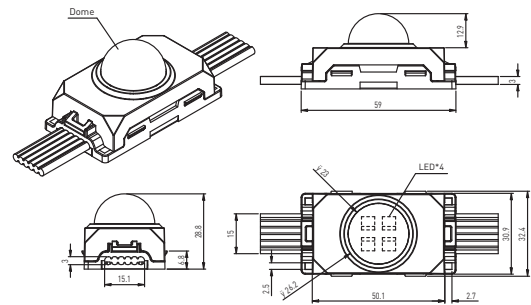
Installed in Mounting Profile



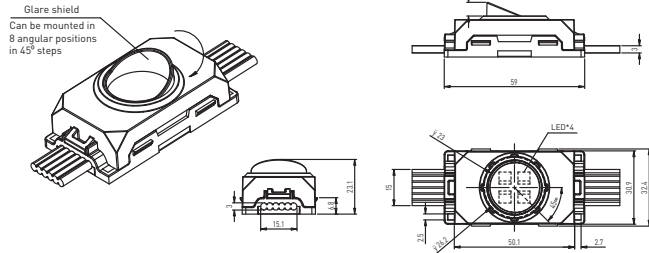
Installed with Mounting Bracket



Installed with Mounting Bracket and Dome



Installed with Mounting Bracket and Glare Shield



All dimensions are in mm