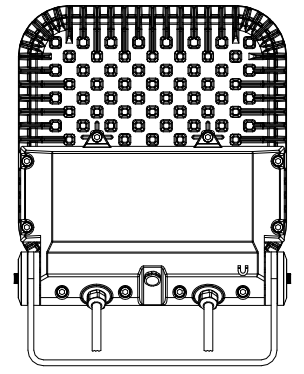
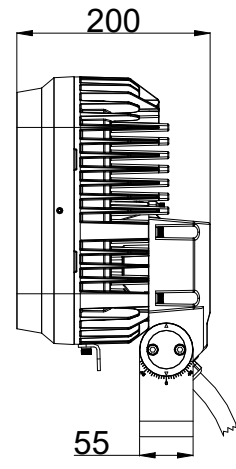
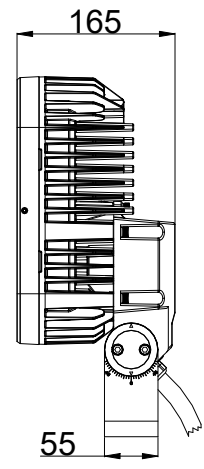
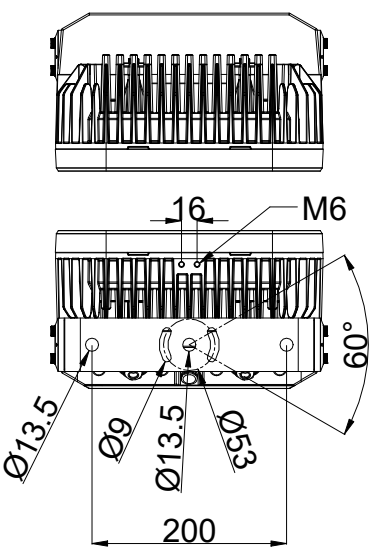
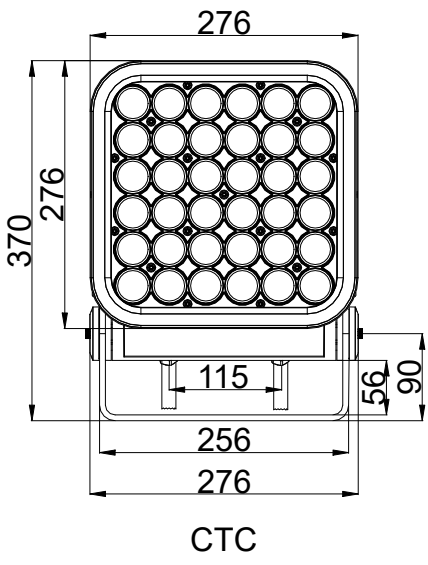
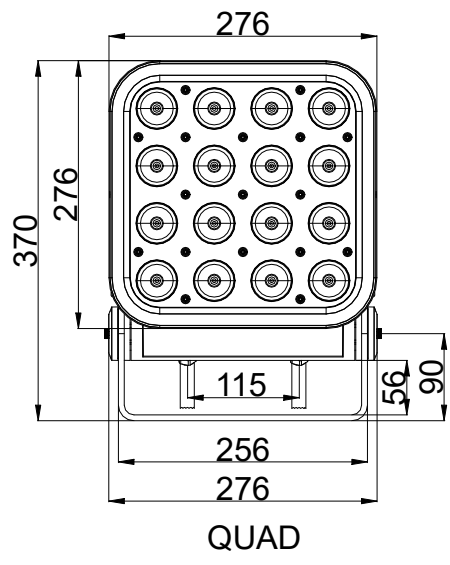
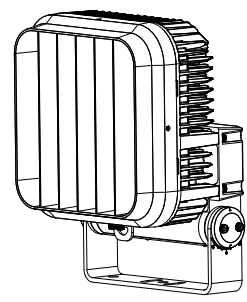
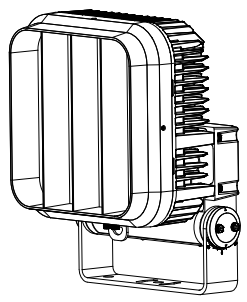
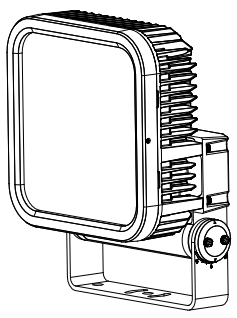


REVISION HISTORY			
DATE	REV.	DESCRIPTION	BY



Pre-mounted power and DMX In/Out cables: 2-meter lengths



Without Baffle snoot With QUAD Baffle snoot With CTC Baffle snoot

MAR-90590003	EXTERIOR WASH PRO L QUAD, EU, ALU
MAR-90590007	EXTERIOR WASH PRO L QUAD, US, ALU
MAR-90590011	EXTERIOR WASH PRO L CTC, EU, ALU
MAR-90590015	EXTERIOR WASH PRO L CTC, US, ALU
MAR-90590103	EXTERIOR WASH PRO L QUAD, EU, WHITE
MAR-90590107	EXTERIOR WASH PRO L CTC EU WHITE

© 2023 HARMAN Professional Denmark ApS
 PROPRIETARY AND CONFIDENTIAL PROPERTY OF HARMAN. DO NOT DISCLOSE, REPRODUCE, OR PUBLISH WITHOUT WRITTEN HARMAN APPROVAL.

ROHS
 RESTRICTION OF HAZARDOUS SUBSTANCES
 ALL MATERIALS USED IN THIS PART MUST BE ROHS COMPLIANT.
 SUPPLIER SHALL PROVIDE A CERTIFICATE OF ROHS COMPLIANCE WITH THE FIRST ARTICLE.

Material	FIRST ANGLE PROJECTION
General linear tolerance	Surface treatment
General angular tolerance	Color
General geometrical tolerance	Project number
DIMENSIONS SHOWN ARE FOR REFERENCE AND INSPECTION ONLY. REFER TO CAD MODEL PROVIDED WITH THIS DRAWING FOR OVERALL DEFINITION OF PART GEOMETRY.	

NO.	See above
SIZE	A4
SCALE	1:8
UNIT	mm
DO NOT SCALE DRAWING	

Martin
 HARMAN Professional Denmark ApS
 Olof Palmes Allé 44
 DK 8200 Aarhus N

TITLE (Model in view)
EXTERIOR WASH PRO L

REV **C**

SHEET **1** OF **1**