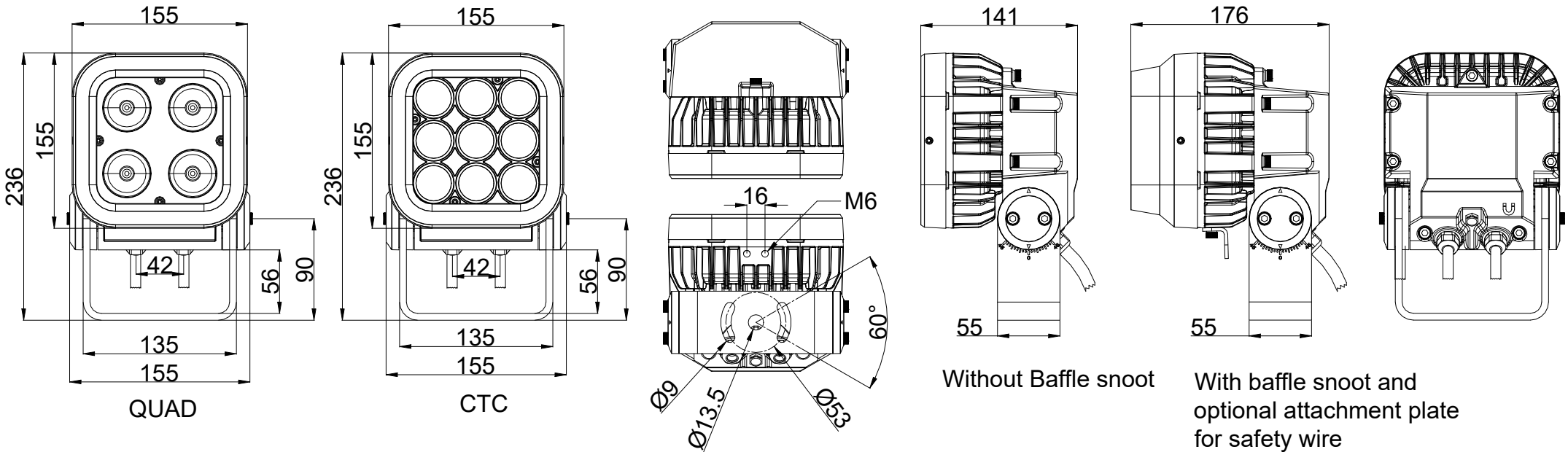
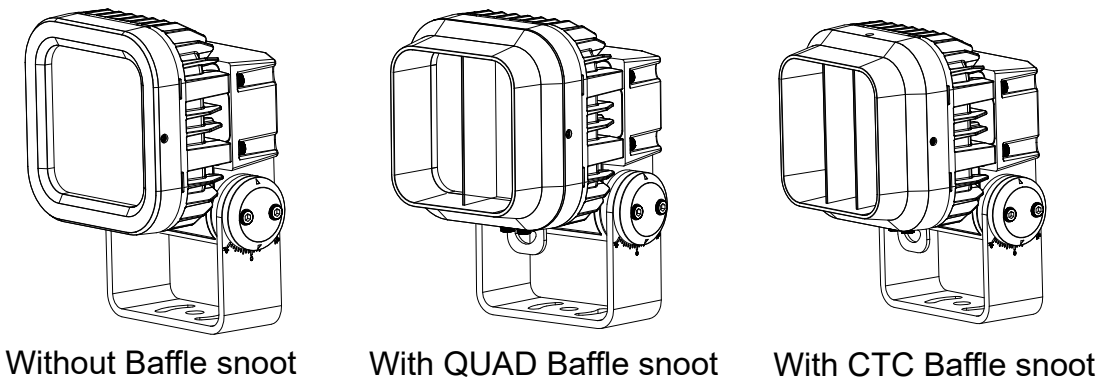


REVISION HISTORY			
DATE	REV.	DESCRIPTION	BY



Pre-mounted power and DMX In/Out cables: 2-meter lengths



MAR-90590001	EXTERIOR WASH PRO S QUAD,EU,ALU
MAR-90590005	EXTERIOR WASH PRO S QUAD,US,ALU
MAR-90590009	EXTERIOR WASH PRO S CTC, EU, ALU
MAR-90590013	EXTERIOR WASH PRO S CTC,US,ALU
MAR-90590101	EXTERIOR WASH PRO S QUAD, EU, WHITE
MAR-90590105	EXTERIOR WASH PRO S CTC EU WHITE

<p>© 2023 HARMAN Professional Denmark ApS PROPRIETARY AND CONFIDENTIAL PROPERTY OF HARMAN. DO NOT DISCLOSE, REPRODUCE, OR PUBLISH WITHOUT WRITTEN HARMAN APPROVAL.</p> <p>ROHS RESTRICTION OF HAZARDOUS SUBSTANCES ALL MATERIALS USED IN THIS PART MUST BE ROHS COMPLIANT. SUPPLIER SHALL PROVIDE A CERTIFICATE OF ROHS COMPLIANCE WITH THE FIRST ARTICLE.</p>	Material	FIRST ANGLE PROJECTION		HARMAN Professional Denmark ApS Olof Palmes Allé 44 DK 8200 Aarhus N
	General linear tolerance			
	General angular tolerance	Color	TITLE (Model in view) EXTERIOR WASH PRO S	
	General geometrical tolerance	Project number	NO. See above SCALE 1:5 UNIT mm DO NOT SCALE DRAWING	REV B SHEET 1 OF 1