

JUNCTION BOX

POWER AND DMX TO PD

SPEC SHEET



OVERVIEW

The Junction Box Power DMX to PD allows for easy and safe installation of power and data featuring a rugged aluminum housing. It is fitted with internal wiring terminals to facilitate customization of cable lengths on-site and can be mounted in any position. The PD hybrid cable connector is compatible directly with Exterior Linear Pro fixtures. The junction box is also compatible with Exterior Wash Pro and Exterior Projection Pro fixtures equipped with PD hybrid cable tails.

FEATURES

- Easy and safe installation of power and data cables
- Internal spring-loaded terminal blocks
- Chassis mounted PD output hybrid connector
- Flange brackets for easy install
- Fully weatherized IP66 compartment

JUNCTION BOX

POWER AND DMX TO PD

SPEC SHEET

ORDERING INFORMATION

- Junction Box Power DMX to PD:.....P/N MAR-91700019

RELATED ITEMS

- Power DMX Cable PD PD 0.2M EU.....P/N MAR-91700004
- Power DMX Cable PD PD 1M EU.....P/N MAR-91700005
- Power DMX Cable PD PD 2.5M EUP/N MAR-91700006
- Power DMX Cable PD PD 5M EU.....P/N MAR-91700007
- Power DMX Cable PD PD 10M EUP/N MAR-91700008
- Power DMX Cable 100M Roll EUP/N MAR-91700009

- Power DMX Cable PD PD 0.2M US.....P/N MAR-91700010
- Power DMX Cable PD PD 1M US.....P/N MAR-91700011
- Power DMX Cable PD PD 2.5M USP/N MAR-91700012
- Power DMX Cable PD PD 5M US.....P/N MAR-91700013
- Power DMX Cable PD PD 10M USP/N MAR-91700014
- Power DMX Cable 100M Roll US.....P/N MAR-91700016

- End termination cap PDP/N MAR-91700015

- Hybrid PD cable tail In/Out 0.5m, black.....P/N MAR-91700020
- Hybrid PD cable tail In/Out 0.5m, white.....P/N MAR-91700022

TECHNICAL SPECIFICATIONS

CONSTRUCTION

- Housing:..... Cast aluminum
- Finish:..... Hard anodized, black
- Ingress protection:..... IP 66
- Impact Resistance:..... IK 08
- Corrosion Resistance:..... C5 (very high corrosivity / marine, ISO 12944)
- Vibration Resistance:..... 1.0g Sinusoidal (IEC 60068-2-6)
0.7g RMS Random (IEC 60068-2-64),
3.0g (ANSI C136-31)

INSTALLATION

- Orientation:..... Any

CONNECTIONS

- Power cable entry:..... IP68 cable gland M20
(accepts 8 mm - 10 mm cable diameter)
- Power connection:..... Terminal for power in separate compartment
- Data cable entry:..... IP68 cable gland M16
(accepts 5 mm - 7 mm cable diameter)
- Data connection:..... Terminal for data in separate compartment
- Output:..... Hybrid PD (Power + Data) female connector

THERMAL

- Maximum Ambient Temperature (Ta max):... 45° C (113° F)*
- Minimum Ambient Temperature (Ta min):..... -30° C (-22° F)**

ENVIRONMENTAL

- RoHS:..... Compliant
- REACH:..... Compliant
- WEEE:..... Compliant
- Proposition 65:..... Compliant
- FSC:..... Certified cardboard inlay and outer packaging

APPROVALS

- Global CB Certification/IECEE IEC 60598-2-5 (IEC 60598-1)
- EU Safety..... EN 60598-2-5 (EN 60598-1), EN 62471, EN 62493
- US Safety..... ANSI/UL 1598
- Canadian Safety..... CSA C22.2 No. 250.0
- Australia/NZ RCM
- India Pending



JUNCTION BOX

POWER AND DMX TO PD

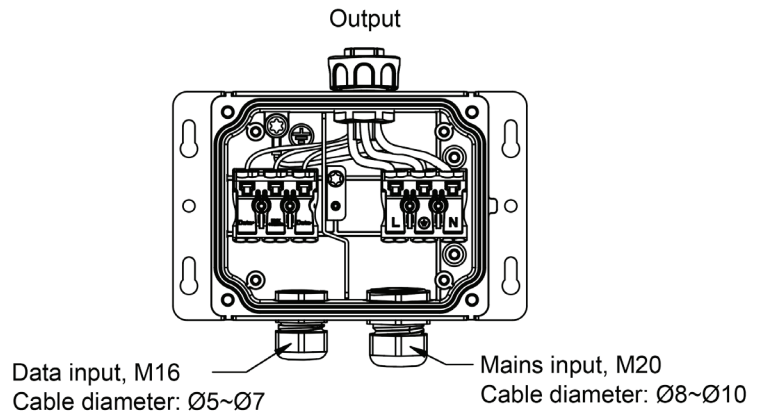
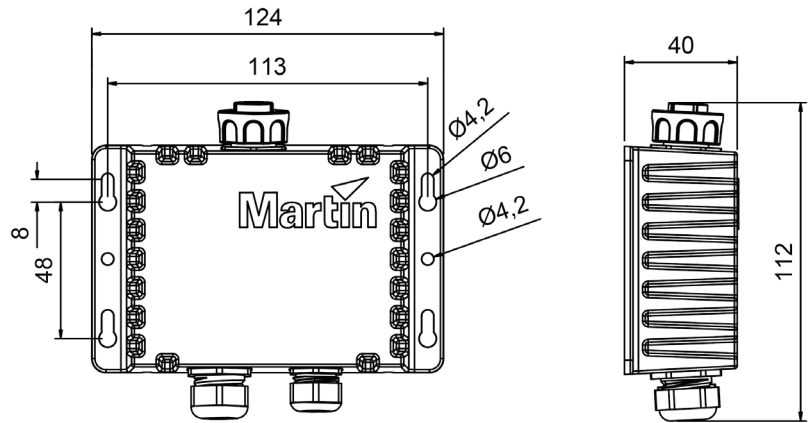
SPEC SHEET

DIMENSIONS

PHYSICAL

Width: 112 mm (4.41 in.)
Height: 40 mm (1.57 in.)
Length: 124 mm (4.88 in.)
Weight: 0.42 kg (0.92 lbs.)

All measurements are in mm



SUPPORTED PRODUCTS



Exterior Linear Pro



Exterior Projection Pro installed with PD hybrid cable tails



Exterior Wash Pro installed with PD hybrid cable tails