

P3 PowerPort 1500

INDOOR POWER & DATA UNIT FOR MARTIN CREATIVE LED

SPEC SHEET

HIGHLIGHTS

- Indoor power and data processor for all Martin creative LED video products
- Flexible integration: can be located remotely from video display products
- Easy cabling and configuration



OVERVIEW

The P3 PowerPort 1500 is an integrated power supply and data processor for the Martin™ range of creative LED video products, including the VDO Sceptron™, VDO Fatron™, VDO Dotron™, Exterior PixLines™, VC-Grids™, VC-Strips™ and VC-Dots™. When driven by one of Martin's award-winning P3™ System Controllers, it combines stable power delivery with high-speed, high-capacity video processing. Setup and configuration are easy and intuitive.

KEY MESSAGES

EASY CABLING

The P3 PowerPort connects with the Creative LED fixtures using a single cable that carries both power and data, greatly simplifying the installation.

AUTOMATIC SETUP

There is no need to configure any IP address or settings on the P3 PowerPort. All setup and configuration is done automatically from the Martin P3 System Controller.

SIMPLE CONTROL INTERFACE

A single push-button allows for easy and fast local testing and diagnostics of the connected fixtures. The control interface also includes status LEDs for power and data for each of the four outputs.

VERSATILE HOUSING

The P3 PowerPort 1500's housing allows rackmount, wallmount and trussmount installation of the unit. So you can place the unit where it suits you best.

P3 PowerPort 1500

INDOOR POWER & DATA UNIT FOR MARTIN CREATIVE LED

SPEC SHEET

FEATURES

- P3 image processing technology
- Set-up and addressing via P3 System Controller family
- P3 input and thru to allow daisy-chaining
- 4 hybrid power/data output ports
- Wall-, truss- and rack-mountable
- Can be located up to 50 m away from the creative LED video products

ORDERING INFORMATION

- Martin P3 PowerPort 1500™ P/N 90721040

INCLUDED ITEMS

- Mounting brackets incl. screws
- Safety cable attachment eyelet
- Please note that a power input cable is not supplied with the product and must be ordered separately (see Accessories)

RELATED ITEMS

- Martin P3-050™ System Controller..... P/N 90721090
- Martin P3-150™ System Controller..... P/N 90721015
- Martin P3-300™ System Controller..... P/N 90721060
- Martin P3-PC™ System Controller.... Free download at martin.com

ACCESSORIES

Air Filters:

- Air Filters 60x60, Set of 10 P/N 50404543

Power Input Cables:

- Power input cable 3 x 2.5 mm², H07RN-F bare ends to powerCON 1.5 m (4.9 ft.) P/N 91611800
- Power input cable 3 x 14 AWG, SJ00W bare ends to powerCON 1.5 m (4.9 ft.) P/N 91610177
- Power input cable 3 x 2.5 mm², H07RN-F bare ends to powerCON 5.0 m (16.4 ft.) P/N 91611801
- Power input cable 3 x 14 AWG, SJ00W bare ends to powerCON 5.0 m (16.4 ft.) P/N 91610178

Power Input Connector:

- Power Connector PowerCON Female P/N 91611794

Rigging hardware:

- G-clamp P/N 91602003
- Half-coupler clamp..... P/N 91602005
- Quick trigger clamp..... P/N 91602007
- Safety Cable, SWL 60 kg, BGV C1 / DGUV 17, black P/N 91604006
- Safety Cable, SWL 60 kg, BGV C1 / DGUV 17, silver P/N 91604007

P3 PowerPort 1500

INDOOR POWER & DATA UNIT FOR MARTIN CREATIVE LED

SPEC SHEET

TECHNICAL SPECIFICATIONS

CONTROL AND PROGRAMMING

Addressing and status..... Via P3 System Controller
Mapping Via P3 System Controller
Firmware update Via P3 System Controller

CONTROL/USER INTERFACE

Device status..... Multicolor status LED
Power output status Four LEDs
Data output status Four LEDs
Device test and reset..... Pushbutton to call up local test patterns and reset device

P3 SIGNAL PROTOCOL

Signal type Gigabit Ethernet
Protocol..... Proprietary Martin P3
Hot pluggable Yes, electrically isolated at all connections
Cable type Ethernet, CAT 5e or better
Cable length..... Up to 100 m between any 2 devices, extendable with Ethernet switch

SYSTEM INTEGRATION

VDO Sceptron™
VDO Fatron™
VDO Dotron™
VC-Dot™ family via VC-Feeder™
VC-Grid™ family
VC-Strip™ family
Exterior PixLine™ family
Exterior Dot-HP™ family

CONSTRUCTION

Housing Steel and aluminum
Color..... Matte black
Protection rating..... IP20

INSTALLATION

Mounting..... 19-inch rackmount, wall mount, flown from rigging clamps

CONNECTIONS

Power input..... Neutrik PowerCon
P3 data in/out Two Neutrik Ethercon RJ-45 sockets
Combined power & data out..... Four 4-pin female XLR sockets (hybrid power & data cable)

ELECTRICAL

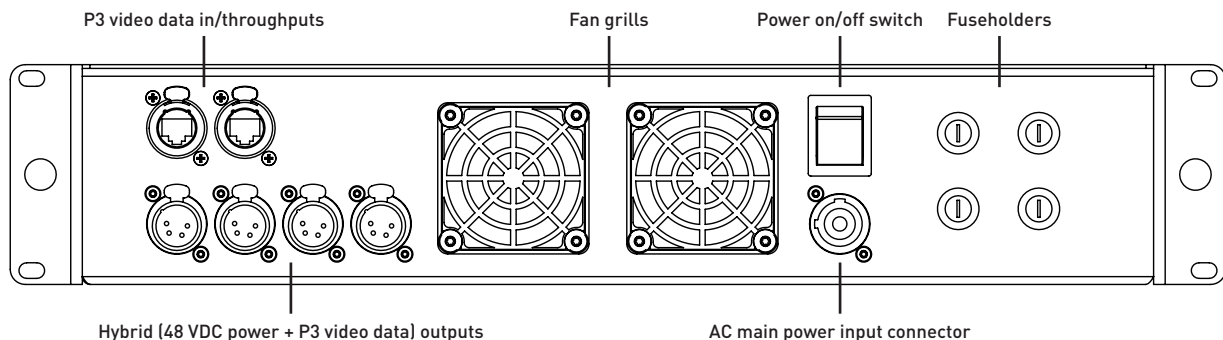
AC power..... 100-240 V nominal, 50/60 Hz
Power supply unit Auto-ranging electronic switch-mode
Typical total power consumption 1540 W (including full load of connected display devices, all at full intensity)
Main fuse 10 AT (slow blow) x 4

THERMAL

Cooling Filtered forced air (temperature-regulated, low noise)
Maximum ambient temperature [Ta max.] 45° C
Minimum ambient temperature [Ta min.] -20° C
Total heat dissipation (calculated, +/- 10%) 530 BTU/hr. (not including display devices but with system at full load)

APPROVALS

EU safety..... EN 60950
EU EMC EN 55103-1, EN 55103-2, EN 55022, EN 55024, EN 61000-3-2, EN 61000-3-3
US safety..... ANSI/UL 60950-1
Canadian safety CSA C22.2 No. 60950-1



P3 PowerPort 1500

INDOOR POWER & DATA UNIT FOR MARTIN CREATIVE LED

SPEC SHEET

DIMENSIONS

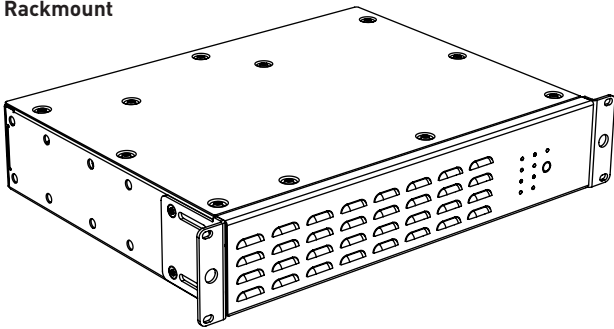
PHYSICAL

Length.....482 mm (19.0 in.)
 Width.....88 mm (3.5 in.) rackmount 2U

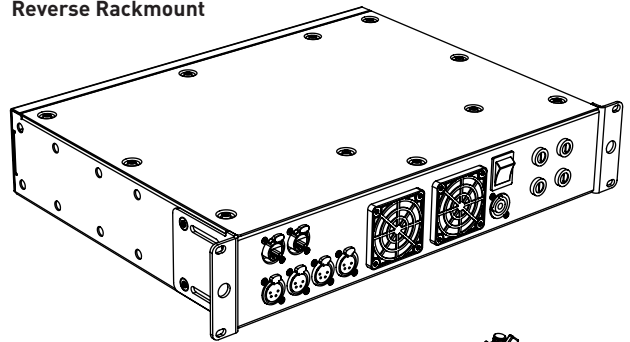
Height.....335 mm (13.2 in.)
 Weight.....10 kg (22.1 lbs.)

MOUNTING OPTIONS

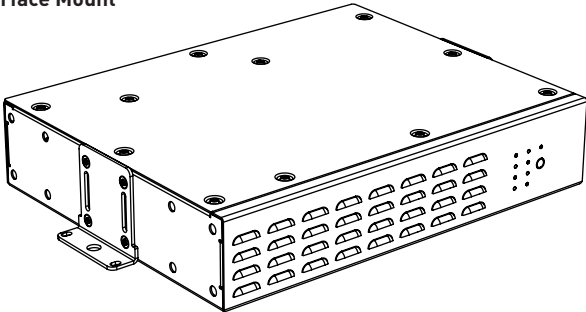
Rackmount



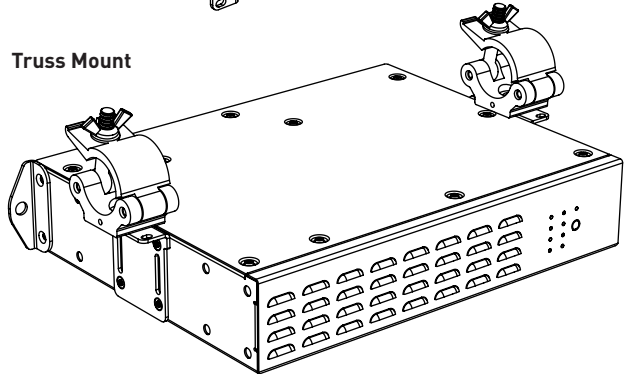
Reverse Rackmount






Surface Mount



Truss Mount



POWERPORT COMPARISON

	Indoor	Outdoor
P3 Control	P3 PowerPort 1500 (4x360W) 	P3 PowerPort 1000 IP (4x240W) 
DMX Control	DMX PowerPort 375 (1x360W) 	IP66 PSU 240W (1x240W) 