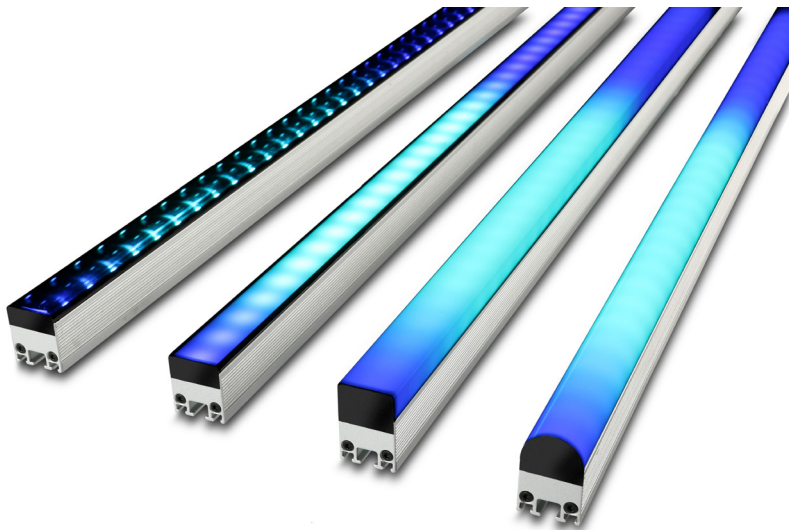


EXTERIOR PIXLINE™ 20

OUTDOOR RATED LINEAR LED VIDEO FIXTURE

SPEC SHEET



HIGHLIGHTS

- Wide range of pixel pitch, lens and diffusers options for flexibility of look
- Fully outdoor-rated
- Easy setup and cabling for clean installation

OVERVIEW

The Exterior PixLine 20 is a linear LED video fixture for media facades and creative installations. The Exterior PixLine 20 is available with a wide variety of lenses and diffusers for the right look for every application. The Exterior PixLine 20 is driven by the Martin P3 System Controller family for easy setup and video display, and it is also backwards compatible with DMX for smaller setups.

KEY MESSAGES

VARIETY OF DIFFUSERS FOR DIFFERENT LOOKS

All Exterior PixLines are available with 4 different diffusers allowing for selecting the right look for the right application: Flat clear front, Flat diffused front, Square diffused front and Round diffused front.

FAMILY OF ULTIMATE CREATIVE POSSIBILITIES

The Exterior PixLine family consists of linear LED Video sticks with 10, 20 and 40 mm pixel pitch for easy design of any application.

DEDICATED GRAZE VERSION

A dedicated graze version has been designed to achieve an effective graze light and wall wash distribution. The lens provides a beam angle of 25° X 85° with the light tilted 5° towards the wall.

EASY INFRASTRUCTURE

The Exterior PixLine products can be controlled via the Martin P3 protocol for easy mapping and integration with other Martin LED Video products onto the same control system.

For small or pure lighting applications, the Exterior PixLine also accepts RDM/DMX, enabling even more versatile use.

EXTERIOR PIXLINE™ 20

OUTDOOR RATED LINEAR LED VIDEO FIXTURE

SPEC SHEET

FEATURES

- 20 mm pixel pitch
- 125 cd per meter calibrated
- 80 lumen per foot calibrated
- High-quality 16-bit per color image processing technology
- Pixel-level brightness and color calibration for optimal image quality
- P3/DMX controllable (automatic protocol detection)
- Intuitive mapping and addressing via P3 System Controller
- Combined power/data input (single cable for power and data input)
- Supported by integrated power and data processor (P3 PowerPort 1500 or P3 PowerPort 1000 IP) and simple cabling system
- Available in standard length of 1280 mm and 320 mm

ORDERING INFORMATION

- Exterior PixLine 20 RGB, 310 mm, Clear Front, Aluminum P/N 90356835
- Exterior PixLine 20 RGB, 1270 mm, Clear Front, Aluminum P/N 90356830
- Exterior PixLine 20 RGB, 310 mm, Diffuser Front, Aluminum..... P/N 90356825
- Exterior PixLine 20 RGB, 1270 mm, Diffuser Front, Aluminum..... P/N 90356820
- Exterior PixLine 20 RGB, 310 mm, Round Diffuser Front, Aluminum..... P/N 90356815
- Exterior PixLine 20 RGB, 1270 mm, Round Diffuser Front, Aluminum..... P/N 90356810
- Exterior PixLine 20 RGB, 310 mm, Square Diffuser Front, Aluminum..... P/N 90356805
- Exterior PixLine 20 RGB, 1270 mm, Square Diffuser Front, Aluminum..... P/N 90356800
- Exterior PixLine 20 RGB, 310 mm, Graze (Asymmetric Lens), Left, Aluminum P/N 90356795
- Exterior PixLine 20 RGB, 1270 mm, Graze (Asymmetric Lens), Left, Aluminum P/N 90356790
- Exterior PixLine 20 RGB, 310 mm, Graze (Asymmetric Lens), Right, Aluminum P/N 90356785
- Exterior PixLine 20 RGB, 1270 mm, Graze (Asymmetric Lens), Right, Aluminum P/N 90356780
For graze models, Left or Right = direction of light output when looking from male to female connector

RELATED ITEMS

- Martin P3 PowerPort 1500 P/N 90721040
- Martin P3 PowerPort 1000 IP Installation P/N 90721080
- Martin IP66 PSU 240W..... P/N 90760330
- Martin P3-050 System Controller P/N 90721090
- Martin P3-150 System Controller P/N 90721015
- Martin P3-300 System Controller P/N 90721060
- Martin P3-PC System Controller P/N 90721030



EXTERIOR PIXLINE™ 20

OUTDOOR RATED LINEAR LED VIDEO FIXTURE

SPEC SHEET

ACCESSORIES

- Magnetic Test Tool, set of 10 P/N 91610139

MOUNTING HARDWARE

- Exterior PixLine 20 Mounting Profile, 310 mm (12.2 in.), aluminum..... P/N 91611700
- Exterior PixLine 20 Mounting Profile, 1270 mm (50.0 in.), aluminum..... P/N 91611710
- Exterior PixLine Mounting Profile Locks, set of 10 P/N 91611725

INPUT ADAPTER CABLES

- Power + Data Input Adapter, 4-pin male XLR (for P3 PowerPort 1500) to female BBD, 0.25 m (0.9 ft.)..... P/N 91616046
- Power + Data Input Adapter, 5-pin male XLR + wire tails (for PSU) to female BBD, 0.25 m (0.9 ft.)..... P/N 91616048
- Power + Data Input Adapter, 5-pin male XLR + male Martin™ IP66 PSU to female BBD, 0.25 m (0.9 ft.)..... P/N 91616050
- Power + Data Input Adapter, 5-pin male XLR + 4-pin male XLR to female BBD, 0.25 m (0.9 ft.)..... P/N 91616049

OUTPUT ADAPTER CABLES

- Power + Data Output Adapter male BBD to 4-pin female XLR, 0.25 m (0.9 ft.)..... P/N 91616047
- DMX Output Adapter, male BBD to 5-pin female XLR, 0.25 m (0.9 ft.)..... P/N 91616051

EXTENSION CABLES, CMX TYPE

- Power + Data Extension Cable, Installation type CMX, BBD-BBD 1 m (3.3 ft.)..... P/N 91616055
- Power + Data Extension Cable, Installation type CMX, BBD-BBD, 2.5 m (8.2 ft.)..... P/N 91616056
- Power + Data Extension Cable, Installation type CMX, BBD-BBD, 5 m (16.4 ft.)..... P/N 91616057
- Power + Data Extension Cable, Installation type CMX, BBD-BBD, 10 m (32.9 ft.)..... P/N 91616058
- Power + Data Extension Cable, Installation type CMX, BBD-BBD, 25 m (82.1 ft.)..... P/N 91616059
- Power + Data Extension Cable, Installation type CMX, without connectors, 100 m (328.1 ft.)..... P/N 91616060

EXTENSION CABLES, LOW SMOKE ZERO HALOGEN TYPE

- Power + Data Extension Cable, Installation type LSZH, BBD-BBD 1 m (3.2 ft.) P/N 91616012
- Power + Data Extension Cable, Installation type LSZH, BBD-BBD 2.5 m (8.2 ft.) P/N 91616013
- Power + Data Extension Cable, Installation type LSZH, BBD-BBD 5 m (16.4 ft.) P/N 91616014
- Power + Data Extension Cable, Installation type LSZH, BBD-BBD 10 m (32.8 ft.) P/N 91616015
- Power + Data Extension Cable, Installation type LSZH, BBD-BBD 25 m (82 ft.) P/N 91616016
- Power + Data Extension Cable, Installation type LSZH, without connectors, 100 m (328.1 ft.)..... P/N 91616017

LOOSE CONNECTORS

- Power + Data Cable Connector, BBD, male..... P/N 91611750
- Power + Data Cable Connector, BBD, female..... P/N 91611751
- Blanking caps for unused female BBD connectors, set of 10..... P/N 91616052



EXTERIOR PIXLINE™ 20

OUTDOOR RATED LINEAR LED VIDEO FIXTURE

SPEC SHEET

TECHNICAL SPECIFICATIONS

CONTROL AND PROGRAMMING

Control options	Martin P3™ System Controller via Martin P3™ PowerPort 1500 / Martin P3™ PowerPort 1000 IP, and/or DMX
Protocol detection	Automatic
Control modes	RGB, basic, segment and pixel-level
DMX channels	3/10/13/31/55/199
Setting and addressing	Martin P3™ System controller or RDM-compliant controller
Color resolution	16-bit (P3) or 8-bit (DMX)
Color and intensity calibration	Pixel-level
DMX compliance	USITT DMX512-A
RDM compliance	ANSI/ESTA E1.20
Firmware update	Via Martin P3™ System Controller

CONTROL/USER INTERFACE

Device status	Multi-color visual indication
Device test and reset	Magnetic switch to call up local test patterns and reset device

OPTICS

Options

Clear front	Viewing angle 110°
Flat diffuser	Viewing angle 160°
Round diffuser	Viewing angle 260°
Square diffuser	Viewing angle 300°
Asymmetric graze lens	Beam angle 25° X 85°
Minimum LED lifetime	50 000 hours (to >70% luminous output)*
LED manufacturer	Osram

*Figure obtained under manufacturer's test conditions

PHOTOMETRIC DATA

Pixels per meter	50
Pitch (pixel center-to-center)	20.00 mm
Luminous intensity, calibrated mode	125 cd per meter (clear front)
Total output, calibrated mode	250 lumens per meter
Total output, calibrated mode	4 166 nits (modules spaced 30 mm center-to-center)

P3 VIDEO PROCESSING

Color resolution	16 bits per color (48 bit per pixel)
Color temperature control	2000K-11000K
Synchronization	System-wide
Frame rate	Up to 75 frames/sec
Brightness control	0-100% (at full color resolution)
Gamma Correction and Control	Fully controllable
Color Gamut Control	Fully controllable
LED ageing correction	Built-in

CONSTRUCTION

Base	Extruded aluminum profile
------	---------------------------

Color	Alu Grey (custom on request)
Protection rating	IP66
Impact resistance	IK05
Corrosion resistance	C5-M (ISO 2944)
RoHS compliant	

INSTALLATION

Orientation	Any
Mounting	Slot for locking nuts on back of profile (M6) and/or installation mounting profile

CONNECTIONS

Power and data input	6-pin custom (BBD) IP66-rated
Power and data thru	6-pin custom (BBD) IP66-rated
Hot plugging compatible	

ELECTRICAL

Nominal input voltage	48 VDC +/- 4%
Power supply options	Martin P3™ PowerPort 1500, P3™ PowerPort 1000 IP, Martin IP66 PSU or generic 48 VDC PSU
Max. total power consumption	17 W per meter (at max. intensity, full white)
Max. total length of fixtures	20 m (PowerPort 1500)*
Max. total length of fixtures	14 m (Martin IP66 PSU 240W)*
Max total length of fixtures	14 m (PowerPort 1000IP)*
Max. total length (fixtures and cables)	50 m*
Surge protection	4 kV

*Refer to system diagram for full details

THERMAL

Cooling	Convection
Maximum ambient temperature (Ta max.)	55° C (131° F)*
Minimum ambient temperature (Ta min.)	-30° C (-22° F)
Total heat dissipation (calculated, +/- 10%)	55 BTU/hr. per meter

*Above this temperature, the fixture regulates output to protect from overheating (P3 thermal throttling)

APPROVALS

EU safety	EN 60950-1, EN 60950-22
EU EMC	EN 55022, EN 55024, EN 61000-3-2, EN 61000-3-3
US safety	UL 60950-1, UL 60950-22
US EMC	FCC Part 15 Class A
Canadian safety	CSA C22.2 No. 60950-1, No. 60950-22
Canadian EMC	ICES-003 Class A
Australia/NZ	RCM



EXTERIOR PIXLINE™ 20

OUTDOOR RATED LINEAR LED VIDEO FIXTURE

SPEC SHEET

DIMENSIONS

PHYSICAL

Length..... Available in 310 mm (12.2 in.) and 1270 mm (50.0 in.) length versions*

*Fixtures must be installed with a 10 mm gap to allow for thermal expansion and maintain uniform pixel pitch

NB: To allow for thermal expansion, fixtures are 10 mm shorter than the nominal lengths given above

Width..... 27 mm (1.1 in.)

Height with flat diffuser / clear front.... 32 mm (1.3 in.)

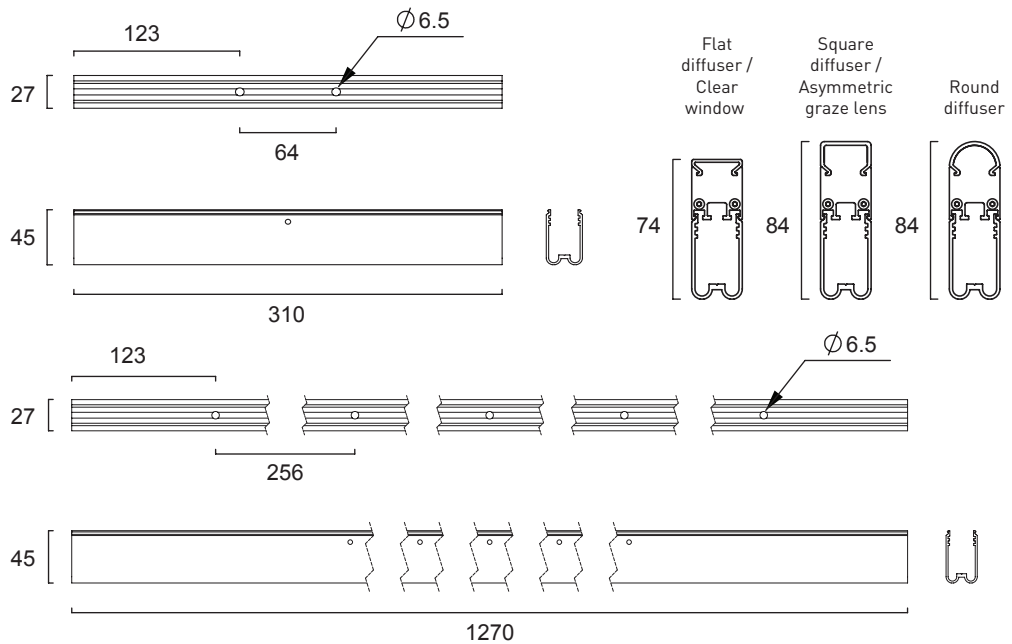
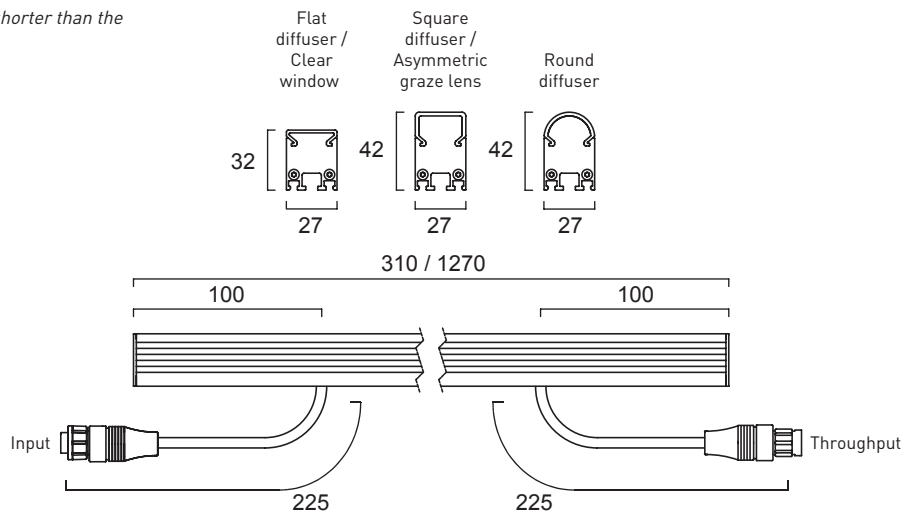
Height with flat diffuser / clear front in mounting profile..... 74 mm (3.0 in.)

Height with square diffuser / (asymmetric wallwasher) lens 42 mm (1.7 in.)

Height with square diffuser / asymmetric wallwasher lens in mounting profile 84 mm (3.4 in.)

Height with round diffuser in mounting profile 84 mm (3.4 in.)

Weight..... 1.2 kg / m (0.9 lbs. per foot)



All dimensions are in mm