

EXTERIOR PROJECTION PRO COMPACT

OUTDOOR-RATED CONFIGURABLE IMAGE PROJECTOR

SPEC SHEET



The **Martin Exterior Projection Pro Compact** is a next-generation outdoor fixture for architectural and landscape applications. Versatile and efficient, it supports 11 configurations with up to four layers of effects, including precise façade framing. The built-in zoom system adjusts angles from 15° to 45°, delivering 5,200 lumens consistently. Dynamic effects include zoom, focus, colors, gobos, and animations. Using the optional framing module, the projected image can be framed to precisely match the façade. Managed via smart controls (magnetic switch, DMX, RDM, and Martin Companion), it's fully outdoor-rated and backed by a 5-year warranty. Its modular design, compact form, and advanced features make it ideal for lighting designers offering incredibly creative image projection for outdoor spaces.

KEY MESSAGES

VERSATILE CONFIGURATION

The **Exterior Projection Pro Compact's** accessory effect modules adapt to the unique needs of each application, providing a cost-efficient and lightweight solution.

PRECISE BEAM CONTROL WITH FLAT FIELD

The built-in zoom system enables precise adjustment of the 15° to 45° projection angle, ensuring easy positioning and optimal surface coverage. The projected image maintains a flat field with high contrast.

SMART CONTROL OPTIONS

Magnetic switch, DMX, RDM, and stand-alone programming via Martin Companion offer straightforward configuration and programming. The fixture also features a dedicated hibernation power mode, activated via the DMX control channel, significantly reducing power consumption when inactive.

COMPACT AND ATTRACTIVE DESIGN

With its compact footprint and low weight, the fixture can be pole-mounted and integrated into various setups, delivering multiple applications.

HIGHLY-EFFICIENT OPTICAL SYSTEM

The efficient optical system ensures full lumen maintenance across the zoom range. The optional framing module allows the projected image to be framed to precisely match the façade.

DESIGNED FOR REAL-WORLD CONDITIONS

Engineered to meet stringent environmental standards, the fixture reduces its carbon footprint through its efficient optical system, FSC-certified packaging, and full repairability. It is fully outdoor-rated to withstand harsh environmental conditions and is backed by Martin's full 5-year warranty.

EXTERIOR PROJECTION PRO COMPACT

OUTDOOR-RATED CONFIGURABLE IMAGE PROJECTOR

SPEC SHEET

FEATURES

- Flat-field, high-contrast image projection
- 5,200 lumens output across the entire zoom range
- Efficient optical system with integrated 15° - 45° zoom system
- Configurable design for reduction of resources, cost, and weight
- One gobo or four gobo modules
- Animation module
- Manual framing module for precise framing of projected image
- 0-100% electronic dimming
- Hibernation mode for very low power consumption
- Compact and slim design
- RDM and DMX control
- Local diagnostics and focusing via magnetic sensor
- Dedicated compartment for install of Power and DMX In/Out cables
- Optional PD Hybrid In/Out cable solution
- Automatic thermal management for safe operation in high and low ambient temperatures
- Fully-weatherized housing (IP66, IK08 and C-5 High corrosion rating)
- Shipped in FSC-certified cardboard packaging
- 5-year warranty

RELATED ITEMS

- Martin Companion Cable (for firmware update over DMX)..... P/N 91616091
- Martin Companion Software: free download from www.martin.com

ORDERING INFORMATION

FIXTURES

- Exterior Projection Pro Compact, Grey: MAR-90560250
- Exterior Projection Pro Compact, White: MAR-90560251
- Exterior Projection Pro Compact, Black: MAR-90560252

ACCESSORY MODULES

- Manual framing module: MAR-90560260
- Animation Module: MAR-90560261
- One gobo holder module: MAR-90560262
- Four gobo wheel module: MAR-90560263

RELATED ITEMS

- Glareshield Black: MAR-90560264
- Exterior Multitool: MAR-90590025
- Attachment plate for safety wire: MAR-90590050
- Hybrid PD cable tail In/Out 0.5 m, black: MAR-91700020
- Hybrid PD cable tail In/Out 0.5 m, white: MAR-91700022
- Gobo ring D19 EP Compact - set of 10: MAR-90560270
- Animation wheel w open hole - set of 5: MAR-90560271



EXTERIOR PROJECTION PRO COMPACT

OUTDOOR-RATED CONFIGURABLE IMAGE PROJECTOR

SPEC SHEET

TECHNICAL SPECIFICATIONS

DYNAMIC EFFECTS

Color wheel	5 dichroic colors (red, green, blue, yellow, CTO) + open
Accessory 1-gobo module	indexing, variable rotation
Accessory 4-gobo module	selection, indexing, variable rotation
Accessory animation module	Continuous rotation with variable speed and direction (always in aperture)
Accessory Framing module	4 blades for manual adjustment of insert and angle (8 finger knobs with locking mechanism)
Dimming	Electronic, 0-100% continuous dimming
Shutter	Strobe and pulse effects, instant open and blackout
Focus	Motorized, variable 3 m (9.8 ft.) to infinity
Zoom	Motorized, 15° - 45° beam angle

CONTROL AND PROGRAMMING

Control options	DMX, RDM, stand-alone
Stand-alone control	Up to 20 scenes with individual fade/hold times
Configuration, addressing and status	Via RDM
User interface	Magnetic sensor to call up fixture status and focus fixture
8-bit control	Color and gobo selection
16-bit control	Gobo indexing and rotation, Animation, Focus, Zoom and Intensity
DMX compliance	USITT DMX512-A
RDM compliance	ANSI/ESTA E1.20
DMX channels	13/14 (Basic / Extended)

OPTICS

Full zoom range	15° - 45° (Field Angle)
Light source	130W White light LED engine
LED lifetime	minimum 30,000 hours (to >70% luminous output)*

*Figure obtained under manufacturer's test conditions

PHOTOMETRIC DATA

CRI (Color Rendering Index)	>70
Color temperature	7,000 K
Total output	5,200 lumens

*All Photometric Data measured in steady state (30 minutes warm-up time) at 25°C ambient

CONSTRUCTION

Housing	Cast aluminum
Finish	Hard anodized
Color Options	Traffic Grey RAL 7042, Traffic White RAL 9016, Traffic Black RAL 9017
Service Lid	For gobo change or insert of accessory effect modules

Front glass	5 mm (0.2 in.) anti-reflection coated tempered glass
Ingress protection	IP66
Impact resistance	IK08
Corrosion resistance	C5 (very high corrosivity / marine, ISO 12944)
EPA (Effective Projected Area)	0.1 m ²
Vibration resistance	1.0g, Sinusoidal (IEC 60068-2-6) 0.7g, RMS Random (IEC 60068-2-64), 3.0g, (ANSI C136-31)

GOBOS

Suitable material	Borosilicate glass, coatings heat-resistant to 450°C (842° F)
Alternative material	Aluminum 1060, paint on front lens side, 450° C (842° F)
Gobo diameter	19.0 mm +0/-0.3 mm (0.74 in. +0/-0.02 in.)
Maximum image diameter	15 mm (0.59 in.)
Glass gobo thickness, minimum	1.1 mm ±0.1 mm (0.045 ±0.004 in.)
Glass gobo thickness, maximum	3.0 mm ±0.3 mm (0.12in. ± 0.012 in.)
Aluminum gobo thickness	0.5 mm ± 0.02 mm (0.020 in. ± 001 in) HT paint

INSTALLATION

Mounting	Adjustable yoke
Location	Suitable for wet locations. Do not immerse in water.
Orientation	Any, except horizontal angles above 70°
Minimum distance to illuminated surfaces	0.5 m (20 in.)

CONNECTIONS

Power cable entry	IP68 cable gland (accepts 8 mm-12 mm)
Power connection	Terminal for power in separate compartment
Data cable entry	IP68 cable gland (accepts 8 mm-12 mm)
Data connection	Terminal for data in separate compartment

ELECTRICAL

AC power	100-240/277 V nominal, 50/60 Hz
Power Supply	Auto-ranging electronic switch-mode
Surge protection	4 KV
Max earth-leakage current	0.4 mA
Power factor	0.98 @ 110 V / 0.96 @ 230 V, 0.91 @ 277 V
Max current draw	1.68 A @ 110 V, 0.81 A @ 230 V, 0.69 A @ 277 V
Typical current draw	1.48 A @ 110 V, 0.71 A @ 230 V, 0.63 A @ 277 V

EXTERIOR PROJECTION PRO COMPACT

OUTDOOR-RATED CONFIGURABLE IMAGE PROJECTOR

SPEC SHEET

TECHNICAL SPECIFICATIONS (Cont.)

ELECTRICAL (Cont.)

POWER CONSUMPTION

Maximum 180 W

Typical 160 W

Idle 10 W

Hibernation 3 W

Measurements made at nominal voltage with all LEDs at full intensity. Allow for a deviation of +/- 10%. Typical: full output, no effects moving, regulated fan speed.

Idle: no output, no effects moving, regulated fan speed.

Hibernation: no output, motors de-energized, fans stopped, wake-up procedure to re-use fixture.

THERMAL

Cooling Convection, internal forced air

Maximum surface temperature 60° C (140° F)

Maximum ambient temperature (Ta max.) 45° C (113° F) *

Minimum ambient temperature (Ta min.) -30° C (-22° F)**

*Above this temperature, the fixture regulates output to protect from overheating.

**For instant wake-up with no warm-up mode, leave power applied constantly in ambient temperatures below 0° C (32° F)

ENVIRONMENTAL

RoHS Compliant

REACH Compliant

WEEE Compliant

Proposition 65 Compliant

FSC Certified cardboard outer packaging

Efficacy (max output) 32.9 lm/W

LWR 416 lm/kg (189 lm/lbs.)

*LWR = Lumen-to-Weight Ratio

APPROVALS

EU safety EN 60598-2-5 (EN 60598-1), EN 62471, EN 62493

EU EMC EN 55015, EN 55032(Class B), EN55035, EN 61000-3-2, EN 61000-3-3, EN 61547

US safety ANSI/UL 1598

US EMC CFR 47 Part 15 Class B

Canadian safety CSA C22.2 No 250.13

Canadian EMC CAN ICES (B)/ NMB(B)

Australia/NZ RCM

Global CB Certification/IECEE IEC 60598-2-5 (IEC 60598-1)

BIS certification (Pending)

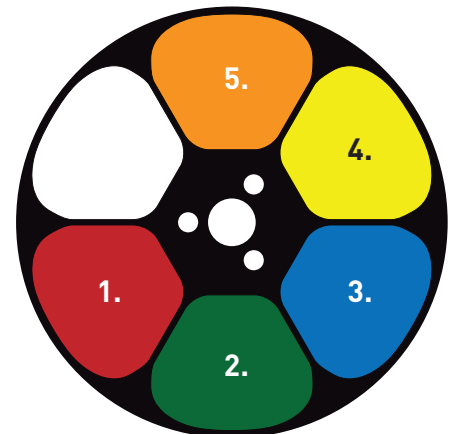


CONFIGURATION TABLE

	1-Gobo module	4-Gobo module	Animation Module	Manual Framing Module
1			X	
2				X
3			X	X
4	X			
5	X		X	
6	X			X
7	X		X	X
8		X		
9		X	X	
10		X		X
11		X	X	X

COLOR WHEEL

1. Red
2. Green
3. Light Blue
4. Yellow
5. CTO – 4000K

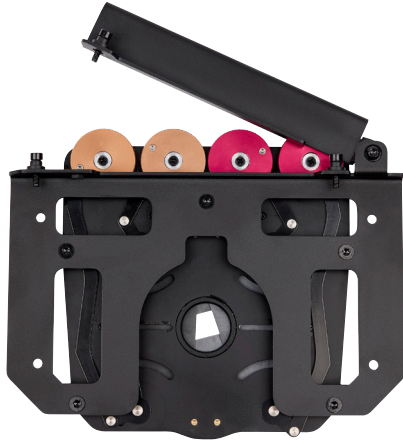


EXTERIOR PROJECTION PRO COMPACT

OUTDOOR-RATED CONFIGURABLE IMAGE PROJECTOR

SPEC SHEET

MANUAL FRAMING MODULE



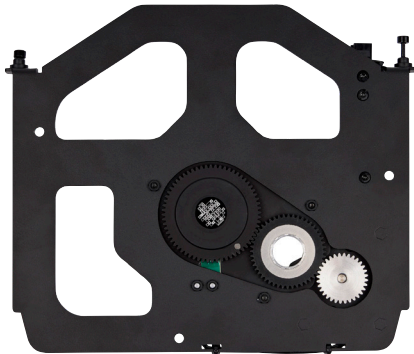
4 blades for manual adjustment of insert and angle using 8 finger knobs
Locking mechanism to secure blade positions

ANIMATION WHEEL

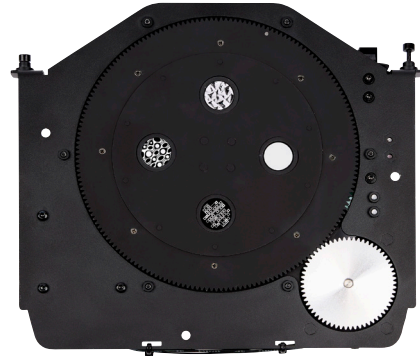


Manual adjustment of wheel position for vertical or horizontal effects

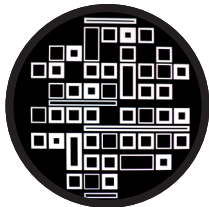
GOBO MODULES



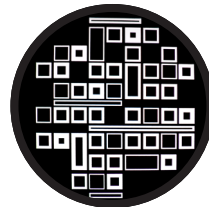
1-Gobo Module



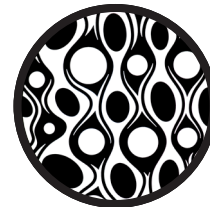
4-Gobo Module



"Sequence It"



"Sequence It"



"Lava Shimmer"



"Limbo Structure Glass"

EXTERIOR PROJECTION PRO COMPACT

OUTDOOR-RATED CONFIGURABLE IMAGE PROJECTOR

SPEC SHEET

PROJECTION DATA - GOBO WITH MAX. IMAGE SIZE

Narrow Zoom Setting – 15°

Distance to projection surface in meters (ft.)	4.0 m (13.1 ft.)	6.0 m (19.7 ft.)	8.0 m (26.2 ft.)	10.0 m (32.8 ft.)	12.0 m (39.4 ft.)	14.0 m (45.9 ft.)	16.0 m (52.5 ft.)	18.0 m (52.5 ft.)	20.0 m (65.6 ft.)
Projection diameter in meters (ft.)	1.1 m (3.5 ft.)	1.6 m (5.2 ft.)	2.1 m (6.9 ft.)	2.6 m (8.6 ft.)	3.2 m (10.4 ft.)	3.7 m (12.1 ft.)	4.2 m (13.8 ft.)	4.7 m (15.5 ft.)	5.3 m (17.3 ft.)
Center illuminance in lux	6749	2999	1687	1080	750	551	422	333	270
Center illuminance in candela	627	279	157	100	70	51	39	31	25

Medium Zoom Setting – 25°

Distance to projection surface in meters (ft.)	4.0 m (13.1 ft.)	6.0 m (19.7 ft.)	8.0 m (26.2 ft.)	10.0 m (32.8 ft.)	12.0 m (39.4 ft.)	14.0 m (45.9 ft.)	16.0 m (52.5 ft.)	18.0 m (52.5 ft.)	20.0 m (65.6 ft.)
Projection diameter in meters (ft.)	1.8 m (5.8 ft.)	2.7 m (8.7 ft.)	3.5 m (11.6 ft.)	4.4 m (14.5 ft.)	5.3 m (17.5 ft.)	6.2 m (20.4 ft.)	7.1 m (23.3 ft.)	8.0 m (26.2 ft.)	8.9 m (29.1 ft.)
Center illuminance in lux	2261	1005	565	362	251	185	141	112	90
Center illuminance in candela	210	93	53	34	23	17	13	10	8

Wide Zoom Setting – 35°

Distance to projection surface in meters (ft.)	4.0 m (13.1 ft.)	6.0 m (19.7 ft.)	8.0 m (26.2 ft.)	10.0 m (32.8 ft.)	12.0 m (39.4 ft.)	14.0 m (45.9 ft.)	16.0 m (52.5 ft.)	18.0 m (52.5 ft.)	20.0 m (65.6 ft.)
Projection diameter in meters (ft.)	2.5 m (8.3 ft.)	3.8 m (12.4 ft.)	5.0 m (16.5 ft.)	6.3 m (20.7 ft.)	7.6 m (24.8 ft.)	8.8 m (29.0 ft.)	10.1 m (33.1 ft.)	11.4 m (37.2 ft.)	12.6 m (41.4 ft.)
Center illuminance in lux	1159	515	290	185	129	95	72	57	46
Center illuminance in candela	108	48	27	17	12	9	7	5	4

Very Wide Zoom Setting – 45°

Distance to projection surface in meters (ft.)	4.0 m (13.1 ft.)	6.0 m (19.7 ft.)	8.0 m (26.2 ft.)	10.0 m (32.8 ft.)	12.0 m (39.4 ft.)	14.0 m (45.9 ft.)	16.0 m (52.5 ft.)	18.0 m (52.5 ft.)	20.0 m (65.6 ft.)
Projection diameter in meters (ft.)	3.3 m (10.9 ft.)	5.0 m (16.3 ft.)	6.6 m (21.7 ft.)	8.3 m (27.2 ft.)	9.9 m (32.6 ft.)	11.6 m (38.0 ft.)	13.3 m (43.5 ft.)	14.9 m (48.9 ft.)	16.6 m (54.4 ft.)
Center illuminance in lux	721	320	180	115	80	59	45	36	29
Center illuminance in candela	67	30	17	11	7	5	4	3	3

EXTERIOR PROJECTION PRO COMPACT

OUTDOOR-RATED CONFIGURABLE IMAGE PROJECTOR

SPEC SHEET

MOUNTING OPTIONS



Customer install of power and DMX cables or PD Hybrid In/Out cable tails

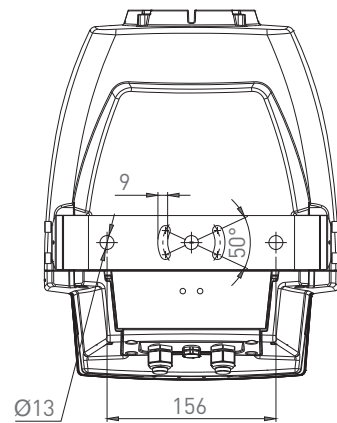
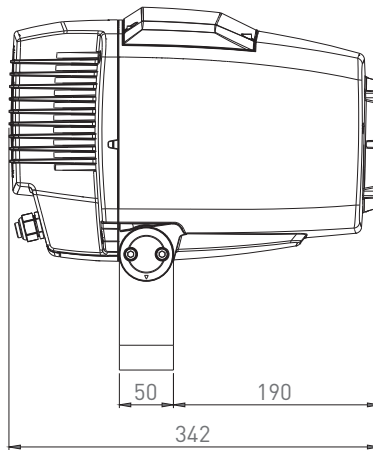
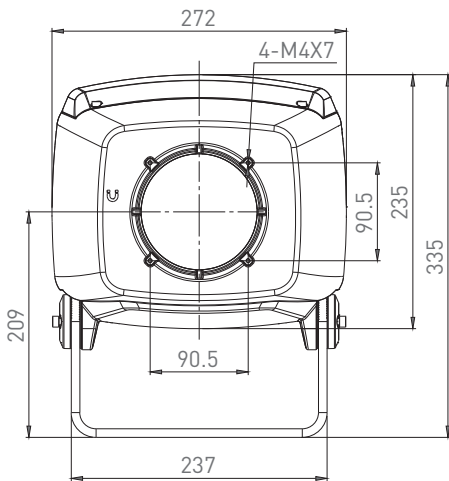


DIMENSIONS

PHYSICAL

Length.....342 mm (13.5 inch.)
 Width.....272 mm (10.7 inch.)

Height.....335 mm (13.2 inch.)
 Weight 12.5-13.9 kg (27.5-30.6 lbs)
Weight depends on actual configuration



All dimensions shown in mm