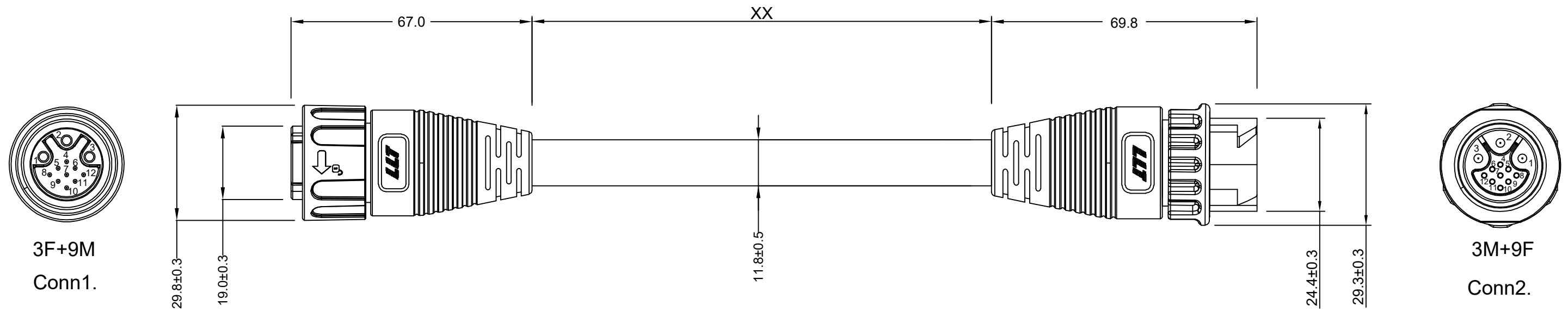


REVISION HISTORY			
DATE	REV.	DESCRIPTION	BY
2019-06-13	A	First Release	JimL
2020-05-08	B	Correct top view and information	JimL

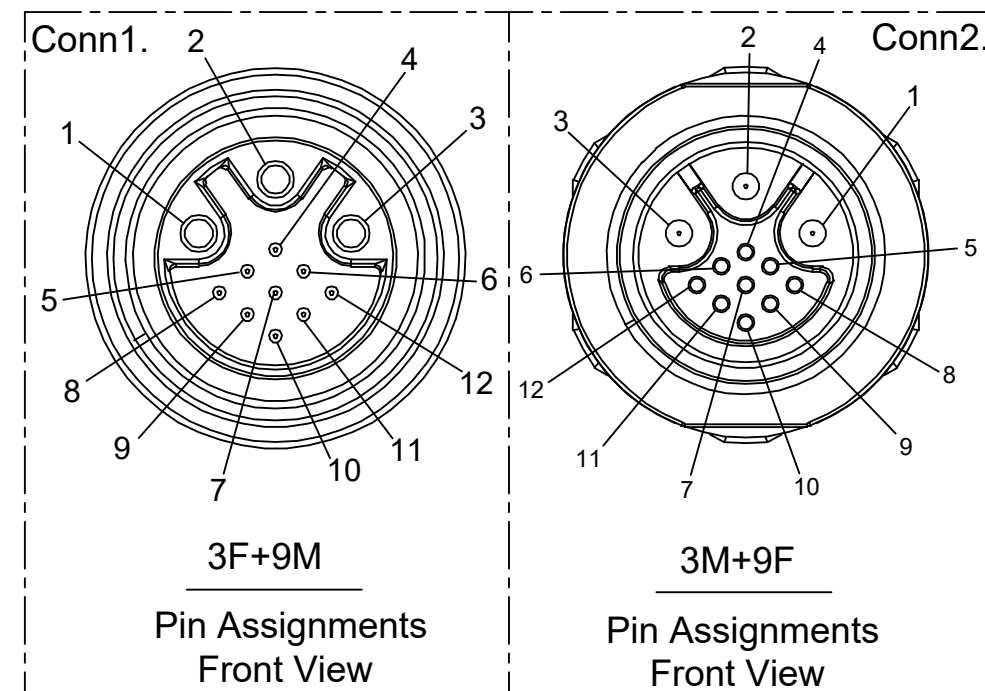


Drawing applies to:

- 91616001 Power+Data Cable Rental PDE-PDE 1m
- 91616002 Power+Data Cable Rental PDE-PDE 2,5m
- 91616003 Power+Data Cable Rental PDE-PDE 5m
- 91616004 Power+Data Cable Rental PDE-PDE 10m
- 91616005 Power+Data Cable Rental PDE-PDE 25m
- 91616006 Power+Data Cable Power DMXEth Rental 100m (no connectors)
- 91611701 Power+Data Connector PDE Male (3M+9F)
- 91611702 Power+Data Connector PDE Female (3F+9M)

NOTE:

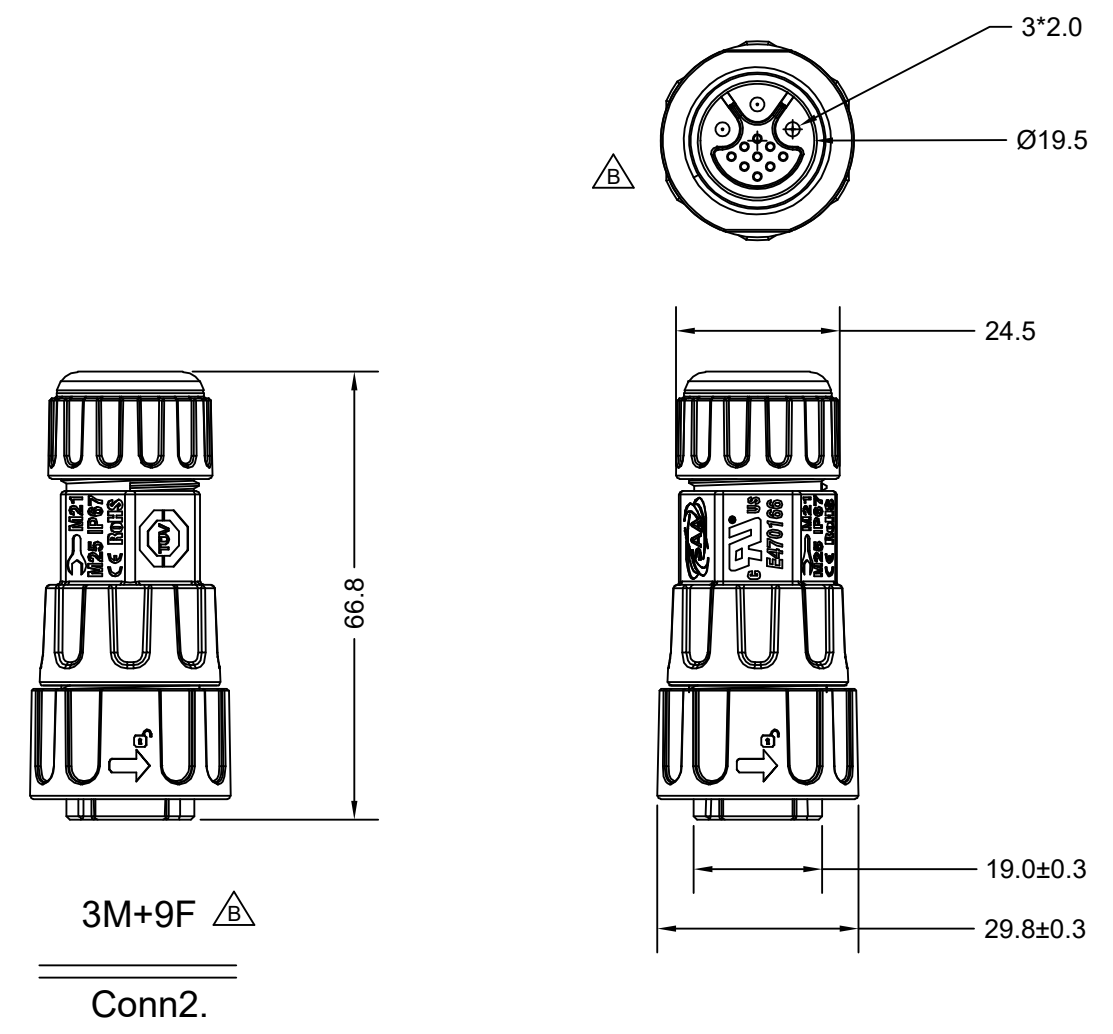
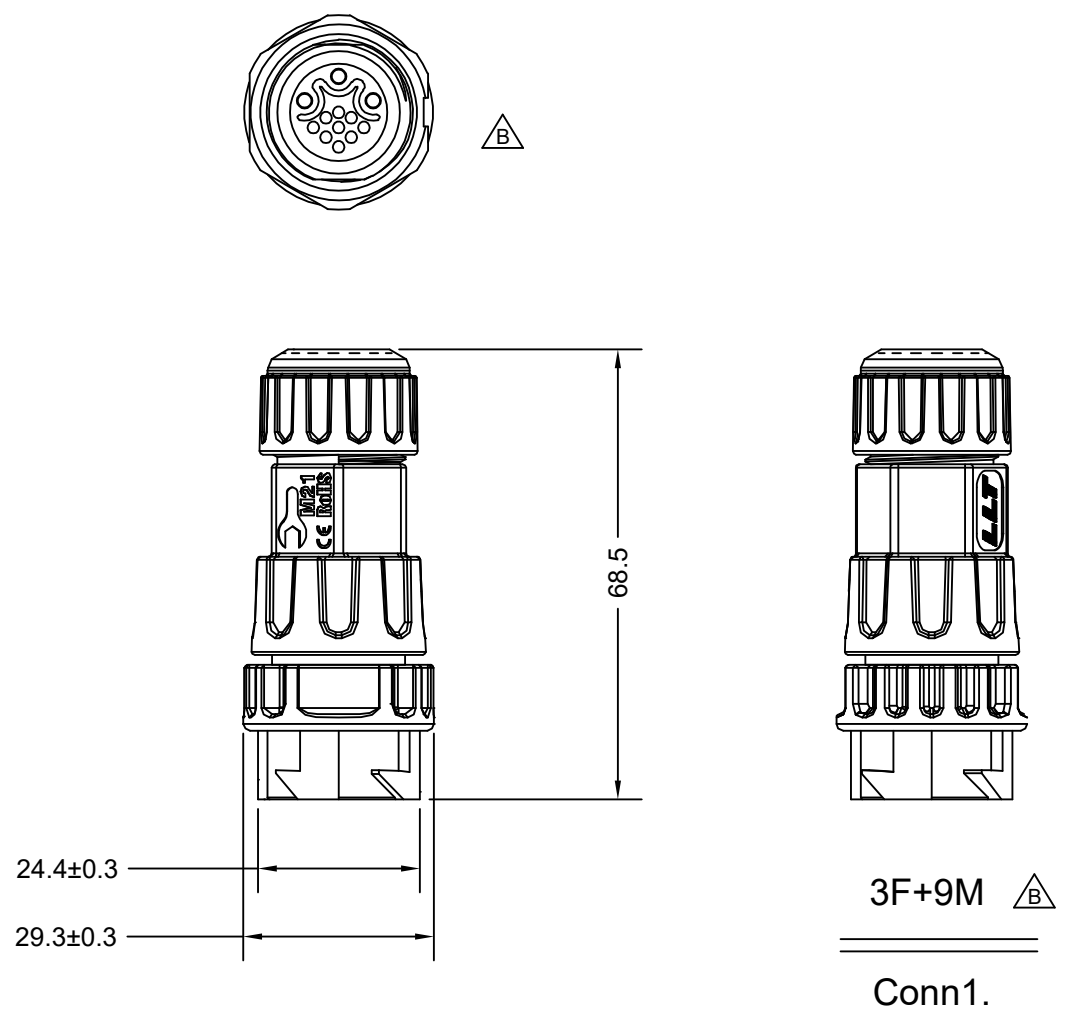
- Operation Temp: connector(-20°~+105°)/cable(0°~+80°);
- Waterproof rating: IP67;
- Connection Style(Pin&Wire): Soldering;
- Over-mold Material: Nylon;
- Fireproof rating: UL94-V0;
- Connector contact: power pin Ø2.0,signal pin Ø1.0;
- Contact & Coating: Brass with gold plated;
- Sealing: Silicon O-ring;
- Current rating: power pins 16A,signal pins 5A;
- Voltage rating: 300V;
- Hot-pluggable(according to UL1977): 277V,24A,250CYCLES,0.75~0.8PF;
- Cable: UL21388type,UL758certificate;
- Cable minimum bending radius: 12*D;
- Cable: (24AWG*4 pairs+shield) + (14AWG*3).



Conn1.	Wire Color	Function	Conn2.
12	Green(24#)	Ethernet RX-	12
11	White/Green(24#)	Ethernet RX+	11
10	Drain(24#)	Ethernet Shield	10
9	Orange(24#)	Ethernet TX+	9
8	White/Orange(24#)	Ethernet TX-	8
7	White/Blue(24#)	DMX-	7
6	White/Brown(24#)	DMX Common	6
5	Brown(24#)	DMX Common	5
4	Blue(24#)	DMX+	4
3	Black(14#)	Live	3
2	Green/Yellow (14#)	Ground (Earth)	2
1	White (14#)	Neutral	1

© 2019 HARMAN Professional Denmark ApS PROPRIETARY AND CONFIDENTIAL PROPERTY OF HARMAN. DO NOT DISCLOSE, REPRODUCE, OR PUBLISH WITHOUT WRITTEN HARMAN APPROVAL.	Material	FIRST ANGLE PROJECTION			HARMAN Professional Denmark ApS Olof Palmes Allé 44 DK 8200 Aarhus N
	General linear tolerance	Surface treatment			
ROHS RESTRICTION OF HAZARDOUS SUBSTANCES ALL MATERIALS USED IN THIS PART MUST BE ROHS COMPLIANT. SUPPLIER SHALL PROVIDE A CERTIFICATE OF ROHS COMPLIANCE WITH THE FIRST ARTICLE.	General angular tolerance	Color	TITLE (Model in view) PDE Rental Cable		
	General geometrical tolerance	Project number	NO. _____ REV _____		
DIMENSIONS SHOWN ARE FOR REFERENCE AND INSPECTION ONLY. REFER TO CAD MODEL PROVIDED WITH THIS DRAWING FOR OVERALL DEFINITION OF PART GEOMETRY.		SIZE A3	SCALE 1:1	UNIT mm	DO NOT SCALE DRAWING
General Technical Specification apply to this item				SHEET OF 1 2	

REVISION HISTORY			
DATE	REV.	DESCRIPTION	BY
2019-06-13	A	First Release	JimL
2020-05-08	B	Correct top view and information	JimL

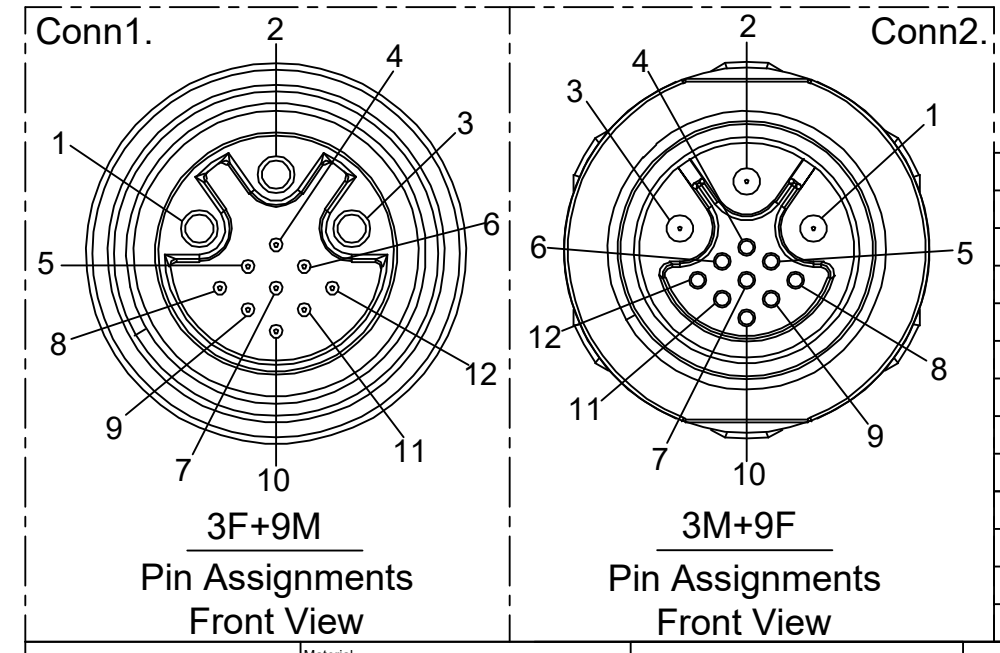


Drawing applies to:

- 91611701 Power+Data Connector PDE Male (3M+9F)
- 91611702 Power+Data Connector PDE Female (3F+9M)

NOTE:

1. Operation Temp: connector(-20°~+105°)/cable(0°~+80°);
2. Waterproof rating: IP67;
3. Connection Style(Pin&Wire): Soldering;
4. Over-mold Material: Nylon;
5. Fireproof rating: UL94-V0;
6. Connector contact: power pin Ø2.0,signal pin Ø1.0;
7. Contact & Coating: Brass with gold plated;
8. Sealing: Silicon O-ring;
9. Current rating: power pins 16A,signal pins 5A;
10. Voltage rating: 300V;
11. Hot-pluggable(according to UL1977): 277V,24A,250CYCLES,0.75~0.8PF.



12	Green(24#)	Ethernet RX-	12
11	White/Green(24#)	Ethernet RX+	11
10	Drain(24#)	Ethernet Shield	10
9	Orange(24#)	Ethernet TX+	9
8	White/Orange(24#)	Ethernet TX-	8
7	White/Blue(24#)	DMX-	7
6	White/Brown(24#)	DMX Common	6
5	Brown(24#)	DMX Common	5
4	Blue(24#)	DMX+	4
3	Black(14#)	Live	3
2	Green/Yellow (14#)	Ground (Earth)	2
1	White (14#)	Neutral	1
Conn1.	Wire Color	Function	Conn2.

General Technical Specification apply to this item

© 2019 HARMAN Professional Denmark ApS PROPRIETARY AND CONFIDENTIAL PROPERTY OF HARMAN. DO NOT DISCLOSE, REPRODUCE, OR PUBLISH WITHOUT WRITTEN HARMAN APPROVAL.	Material	FIRST ANGLE PROJECTION	 HARMAN Professional Denmark ApS Olof Palmes Allé 44 DK 8200 Aarhus N
	General linear tolerance	Surface treatment	
ROHS RESTRICTION OF HAZARDOUS SUBSTANCES ALL MATERIALS USED IN THIS PART MUST BE ROHS COMPLIANT. SUPPLIER SHALL PROVIDE A CERTIFICATE OF ROHS COMPLIANCE WITH THE FIRST ARTICLE.	General angular tolerance	Color	TITLE (Model in view)
	General geometrical tolerance	Project number	NO. REV
DIMENSIONS SHOWN ARE FOR REFERENCE AND INSPECTION ONLY. REFER TO CAD MODEL PROVIDED WITH THIS DRAWING FOR OVERALL DEFINITION OF PART GEOMETRY.		SIZE A3	SCALE 1:1
		UNIT mm	DO NOT SCALE DRAWING
		SHEET 2	OF 2