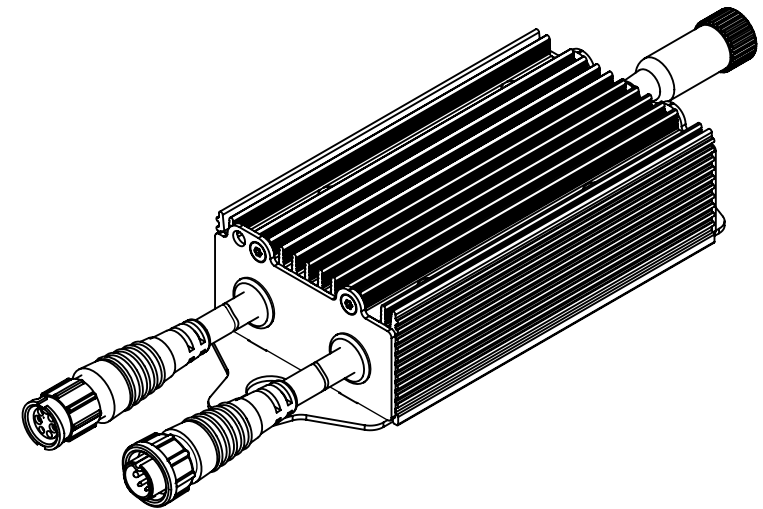
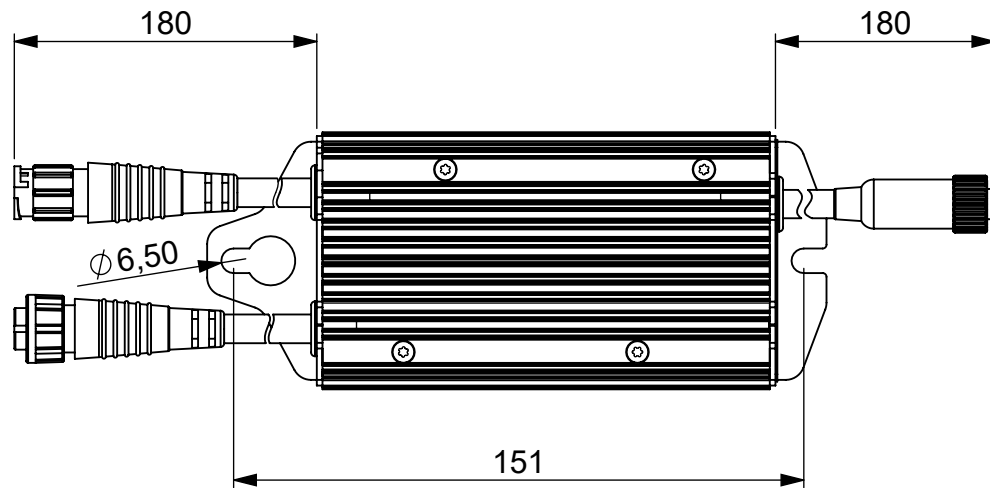
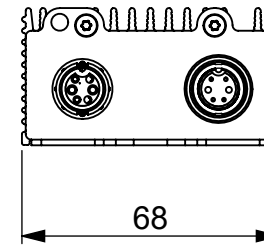
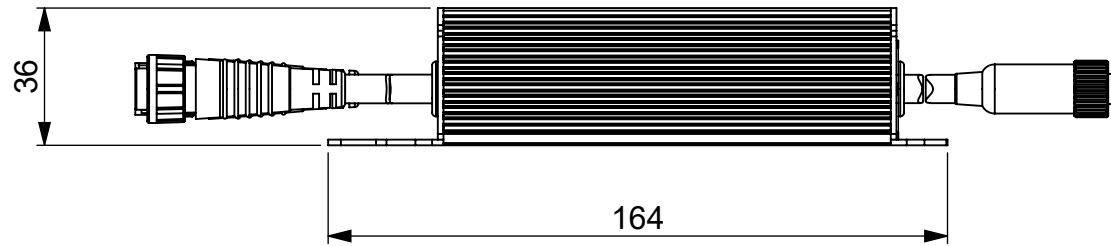
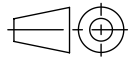



REVISION HISTORY

DATE	REV.	DESCRIPTION	BY
13.01.2020	C		LTousgaard



© 2020 HARMAN Professional Denmark ApS PROPRIETARY AND CONFIDENTIAL PROPERTY OF HARMAN. DO NOT DISCLOSE, REPRODUCE, OR PUBLISH WITHOUT WRITTEN HARMAN APPROVAL.  <b>ROHS</b> RESTRICTION OF HAZARDOUS SUBSTANCES ALL MATERIALS USED IN THIS PART MUST BE ROHS COMPLIANT.  SUPPLIER SHALL PROVIDE A CERTIFICATE OF ROHS COMPLIANCE WITH THE FIRST ARTICLE.	Material	FIRST ANGLE PROJECTION 			HARMAN Professional Denmark ApS Olof Palmes Allé 44 DK 8200 Aarhus N		
	General linear tolerance		TITLE		VC-Feeder with BBD connectors		
	General angular tolerance	Surface treatment	NO.		REV		
	General geometrical tolerance	Color	Project number	SIZE A4	SCALE 1:2	UNIT mm	DO NOT SCALE DRAWING
DIMENSIONS SHOWN ARE FOR REFERENCE AND INSPECTION ONLY. REFER TO CAD MODEL PROVIDED WITH THIS DRAWING FOR OVERALL DEFINITION OF PART GEOMETRY.							