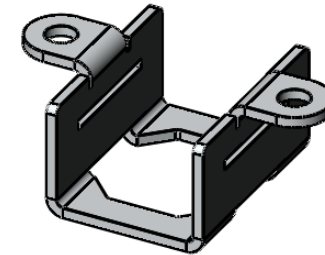
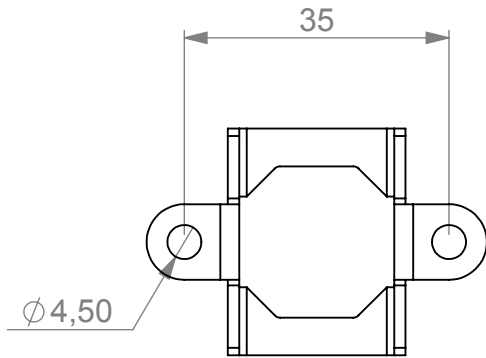
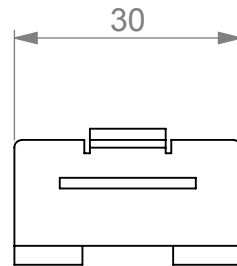
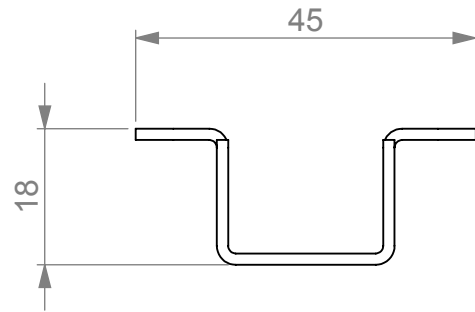


REVISION HISTORY

DATE	REV.	DESCRIPTION	BY
13.09.2018	B		Itousgaard



<p>© 2018 HARMAN Professional Denmark ApS                  PROPRIETARY AND CONFIDENTIAL PROPERTY OF                  HARMAN. DO NOT DISCLOSE, REPRODUCE, OR                  PUBLISH WITHOUT WRITTEN HARMAN APPROVAL.</p> <p><b>ROHS</b>                  RESTRICTION OF HAZARDOUS SUBSTANCES                  ALL MATERIALS USED IN THIS PART MUST BE ROHS                  COMPLIANT.</p> <p>SUPPLIER SHALL PROVIDE A CERTIFICATE OF                  ROHS COMPLIANCE WITH THE FIRST ARTICLE.</p>	<p>Material                  Aluminum EN AW-5754 H22</p>	<p>FIRST                  ANGLE                  PROJECTION</p>	<p>HARMAN Professional                  Denmark ApS                  Olof Palmes Allé 18                  DK 8200 Aarhus N</p>				
	<p>General linear tolerance</p>		<p>TITLE ( Model in view 91611301-B )</p>				
	<p>General angular tolerance</p>	<p>Item to be</p>	<p>Mounting Bracket, VC-Dot 1</p>				
	<p>Color</p>	<p>Item to be</p>	<p>NO. <b>91611301-B</b> REV See table</p>				
<p>DIMENSIONS SHOWN ARE FOR REFERENCE AND INSPECTION                  ONLY. REFER TO CAD MODEL PROVIDED WITH THIS DRAWING                  FOR OVERALL DEFINITION OF PART GEOMETRY.</p>	<p>Item to be</p>	<p>SIZE                  A4</p>	<p>SCALE                  1:1</p>	<p>UNIT                  mm</p>	<p>DO NOT SCALE                  DRAWING</p>	<p>SHEET OF                  1 1</p>	

General Technical Specification apply to this item