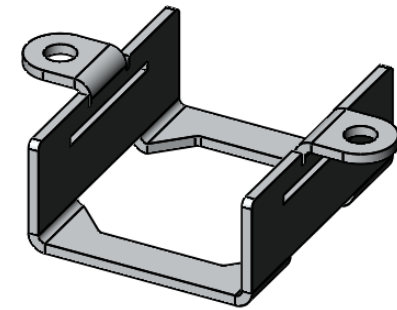
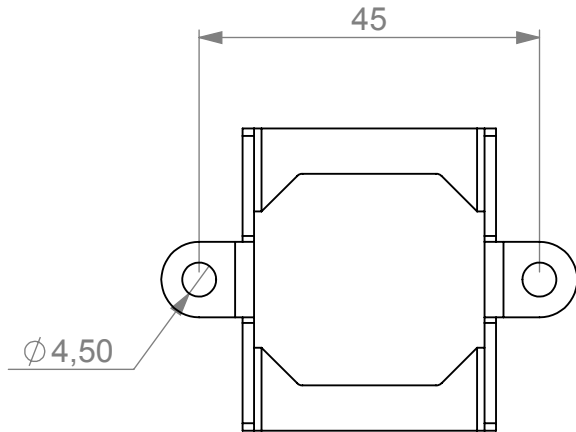
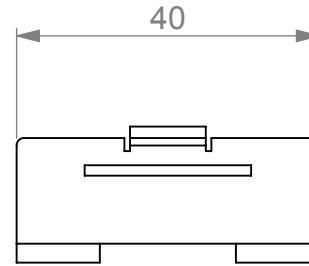
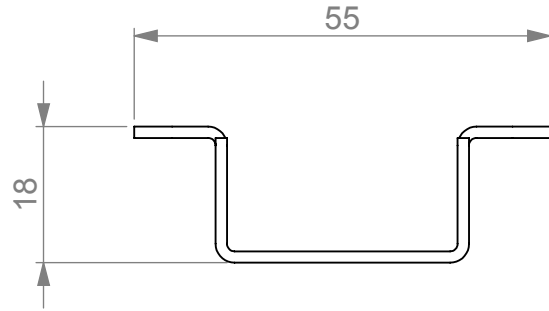



REVISION HISTORY

DATE	REV.	DESCRIPTION	BY
13.09.2018	B		Itousgaard



General Technical Specification apply to this item

© 2018 HARMAN Professional Denmark ApS PROPRIETARY AND CONFIDENTIAL PROPERTY OF HARMAN. DO NOT DISCLOSE, REPRODUCE, OR PUBLISH WITHOUT WRITTEN HARMAN APPROVAL.	Material Aluminum EN AW-5754 H22	FIRST ANGLE PROJECTION 	HARMAN Professional Denmark ApS Olof Palmes Allé 18 DK 8200 Aarhus N				
	General linear tolerance		TITLE (Model in view 91611302-B)				
ROHS RESTRICTION OF HAZARDOUS SUBSTANCES ALL MATERIALS USED IN THIS PART MUST BE ROHS COMPLIANT. SUPPLIER SHALL PROVIDE A CERTIFICATE OF ROHS COMPLIANCE WITH THE FIRST ARTICLE.	General angular tolerance	Item to be	Mounting Bracket, VC-Dot 4				
	Color	Item to be	NO. 91611302-B REV See table				
	DIMENSIONS SHOWN ARE FOR REFERENCE AND INSPECTION ONLY. REFER TO CAD MODEL PROVIDED WITH THIS DRAWING FOR OVERALL DEFINITION OF PART GEOMETRY.	Item to be	SIZE A4	SCALE 1:1	UNIT mm	DO NOT SCALE DRAWING	SHEET OF 1 1