

VC-Dots™

Mounting Profile Installation Guide

Safety information



Warning! Read the following information and read the safety precautions in the user documentation of all the products involved before installing products in the Martin VC™ family using Martin™ mounting accessories. User documentation is supplied with products, but check that you have the latest documents. These are available for download from the Product Support pages on the Martin™ website at www.martin.com



Warning! Installation must be carried out by qualified professional technicians only. Respect all locally applicable safety and building regulations. Check that the mounting surface can safely support the weight of all the items you intend to install on it. Lock out power to the installation before starting work.

If you have any questions about how to install any Martin™ product or use it safely, please contact your local Martin Professional™ distributor (see www.martin.com/distributors for details) or call the Martin™ 24-hour service hotline on +45 8740 0000, or in the USA on 1-888-tech-180.

Introduction

This guide explains how to install Martin VC-Dot™ LED display products on a surface using Martin VC-Dot™ aluminum or plastic Mounting Profiles. The Profiles are designed to be fastened to a secure, flat surface. VC-Dot strings can then be clipped into the profiles and covers can be installed to hide wiring and provide an attractive finish.

Aluminum profiles and covers are supplied in 2000 mm (6 ft.6 3/4 in.) lengths. Plastic profiles and covers are supplied in 1200 mm (3 ft. 11 1/4 in.) lengths. They can be cut to required lengths using a hacksaw. They can also be installed end-to-end to give a long, unbroken line of VC-Dots.

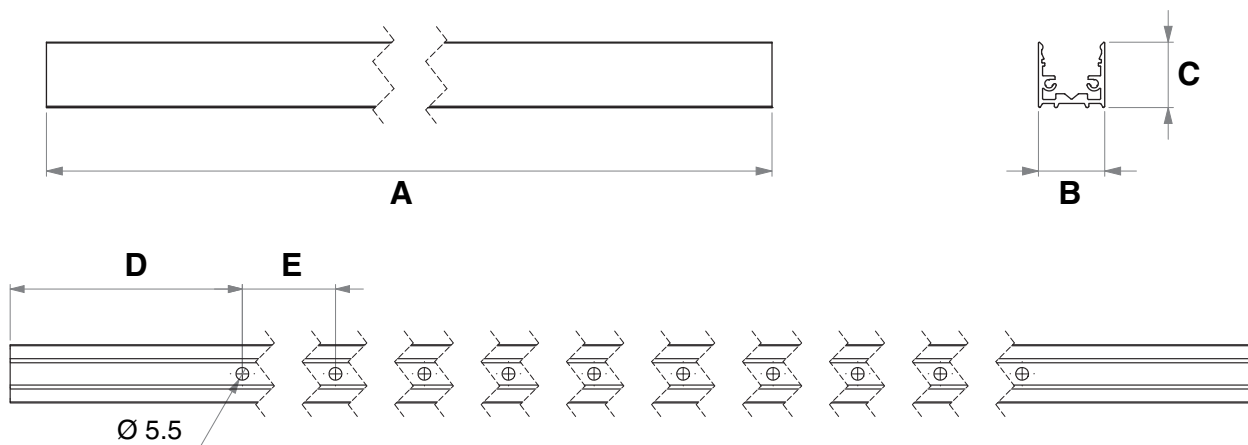
Profiles and covers are available in versions to match VC-Dot 1™, VC-Dot 4™ and VC-Dot 9™ products.

Important!

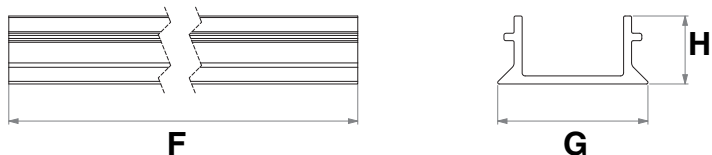
- **Use screws (and screw anchors if necessary) that are suitable for the mounting surface to fasten Mounting Profiles to it. Check that all products are securely fastened.**
- **Using the markings on VC products as a guide, install products in the same orientation to give best color matching when viewing products at an angle.**
- **Plastic profiles are designed for indoor use only. Aluminum profiles can be installed outdoors and in locations where water projections can occur. VC-Dot products are IP65-rated and can be installed outdoors, but they are not designed to withstand immersion or high-pressure water spray.**

Dimensions

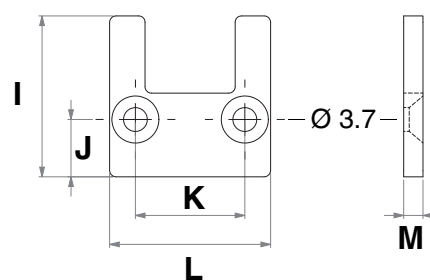
VC-Dot Aluminum Mounting Profile



VC-Dot Aluminum Mounting Profile



Aluminum Endcap*



*Cable entry type shown.

Aluminum mounting profile

	VC-Dot 1	VC-Dot 4	VC-Dot 9
A	2000	2000	2000
B	25	35.5	45.5
C	24.6	25.7	25.7
D	100	100	100
E	200	200	200

Aluminum cover

	VC-Dot 1	VC-Dot 4	VC-Dot 9
F	2000	2000	2000
G	24.3	34.4	44.4
H	11	12.5	12.5

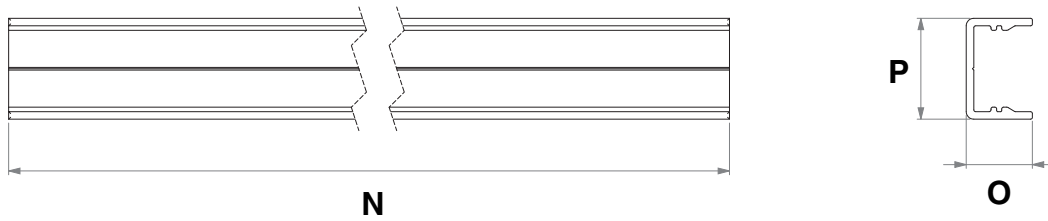
Aluminum endcap (cable entry and closed types)

	VC-Dot 1	VC-Dot 4	VC-Dot 9
I	25	25.9	25.9
J	8.9	8.9	8.9
K	17	27.5	37.5
L	25	35.5	45.5
M	3	3	3

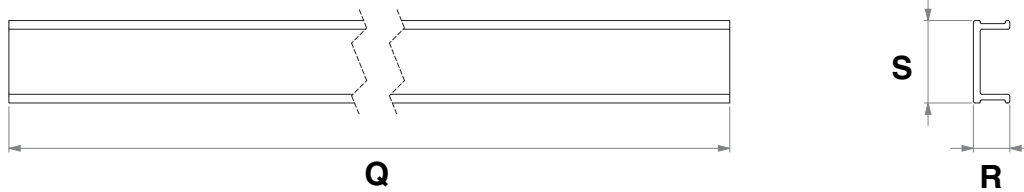
Dimensions are in millimeters

Figure 1

VC-Dot Plastic Mounting Profile



VC-Dot Plastic Mounting Profile Cover



Plastic mounting profile

	VC-Dot 1	VC-Dot 4	VC-Dot 9
N	1200	1200	1200
O	17.5	19.5	20
P	26.7	36.9	47.1

Plastic cover

	VC-Dot 1	VC-Dot 4	VC-Dot 9
Q	1200	1200	1200
R	9.6	10.8	10
S	21.8	32	42

Dimensions are in millimeters

Figure 2

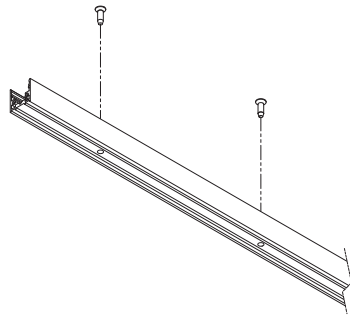
Installation

Important! Do not bend the VC-Dot ribbon cable into a curve with a radius of less than 26 mm (1 in.).

To install VC-Dots and Mounting Profiles:

1. Obtain suitable screws (and screw anchors if necessary) for fastening the Mounting Profiles to the installation surface.
2. Cut profiles to length if necessary. Clean up any sharp edges or roughness at cuts.
3. See Figure 3. Mark up holes for drilling into the installation surface. Aluminum profiles have countersunk holes 200 mm apart that accept $\varnothing 5$ mm mounting screws. Plastic profiles can have holes drilled through the center of the profile at any suitable point to accept mounting screws.
4. Prepare holes and screw anchors and fasten profiles to the mounting surface.

Aluminum Mounting Profile



Plastic Mounting Profile

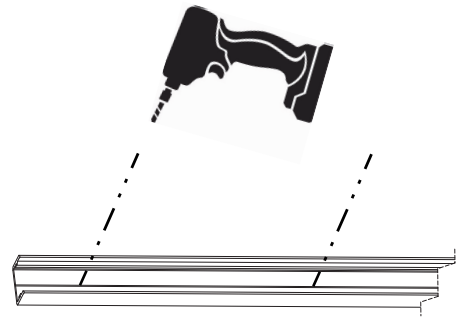


Figure 3

5. See Figure 4. For aluminum profiles, pass the rubber grommets **A** supplied with cable entry endcaps over the VC-Dot ribbon cable in the positions where the cable will enter the end of a profile. Install cable entry endcaps **B** on the ends of profiles where the cable will enter the profile, and install closed-type endcaps at the other ends of profiles. Plastic profiles do not use endcaps.
6. Clip VC-Dots squarely into the profile until you hear a first click. You can now slide the Dots from side to side in the profile for correct alignment. Once you have correctly aligned the Dots, push them into the profile until you hear a second click. The Dots are now held securely.
7. For aluminum profiles, push the VC-Dot cable and grommet into the cutout in the endcap so that the grommet holds the cable in place and prevents any contact between the cable and the endcap.
8. Measure the spaces between the Dots in the profile and cut profile covers to fit the spaces. Clean up any sharp edges or roughness where you have cut.
9. Clip profile covers into the profile to cover the spaces between the Dots. Check that covers are held securely in the profile.

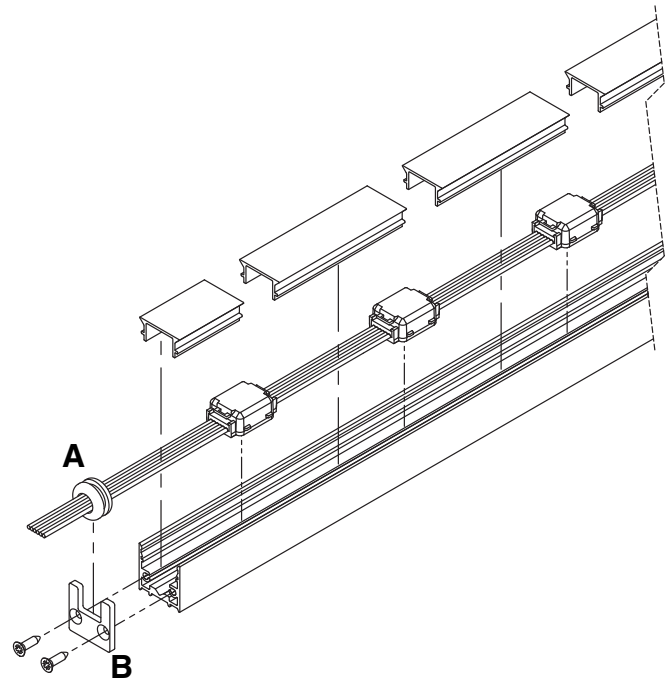


Figure 4



Martin Professional A/S • Olof Palmes Allé 18 • 8200 Aarhus N • Denmark
Tel: +45 8740 0000 • Fax +45 8740 0010 • www.martin.com

© 2013 Martin Professional A/S. Information subject to change without notice. Martin Professional A/S and all affiliated companies disclaim liability for any injury, damage, direct or indirect loss, consequential or economic loss or any other loss occasioned by the use of, inability to use or reliance on the information contained in this document. The Martin logo, the Martin name and all other trademarks in this document pertaining to services or products by Martin Professional A/S or its affiliates and subsidiaries are trademarks owned or licensed by Martin Professional A/S or its affiliates or subsidiaries.

P/N 35000635, Rev. A