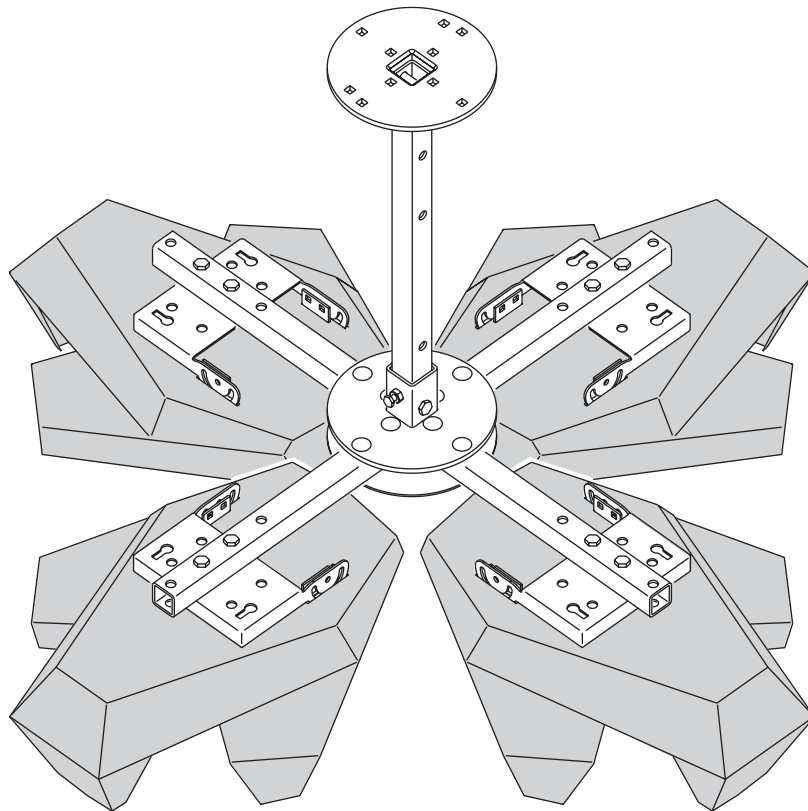
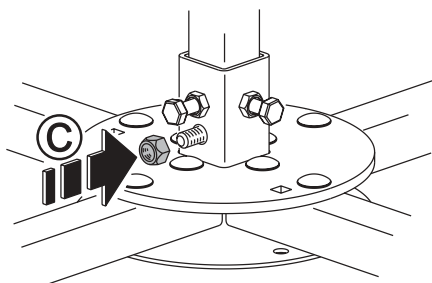
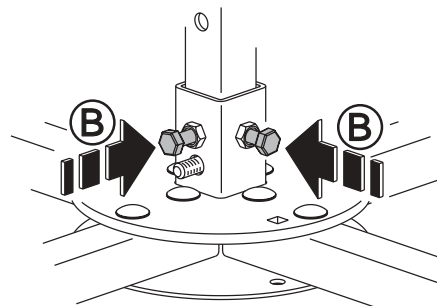
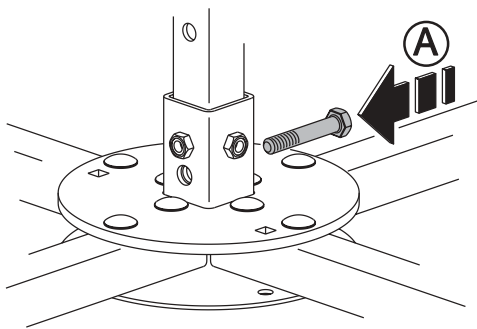
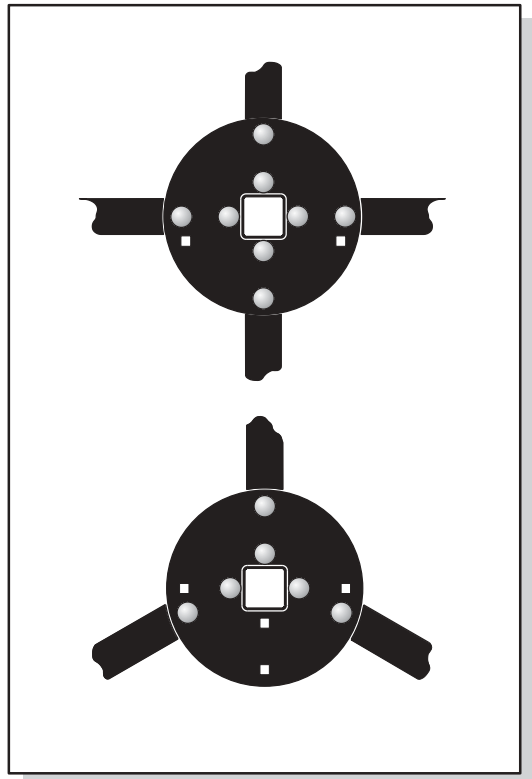
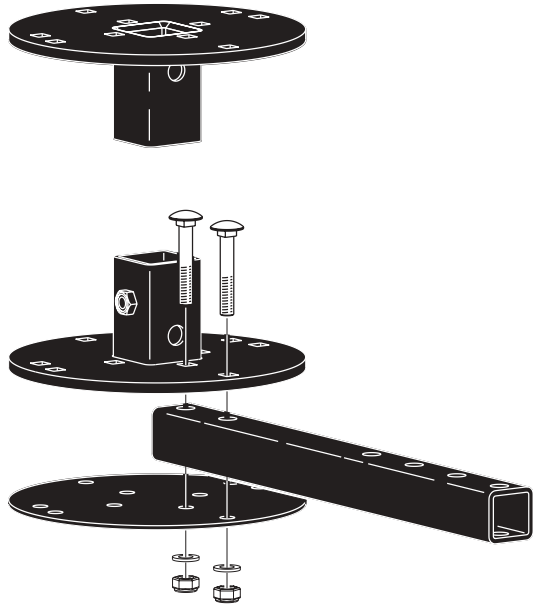


Wizard Multi-coupler Bracket

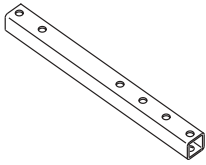
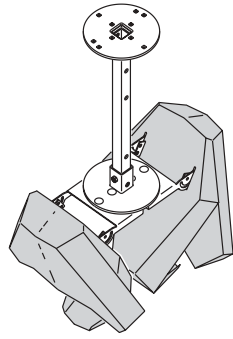
installation note





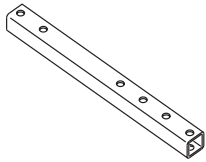
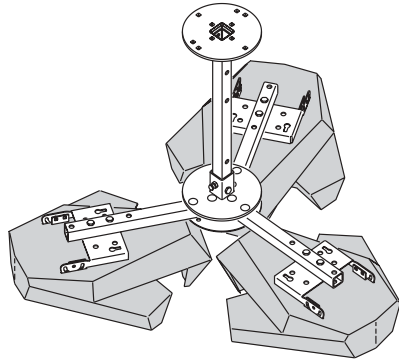
© 2002 Martin Professional A/S, Denmark. All rights reserved. No part of this manual may be reproduced, in any form or by any means, without permission in writing from Martin Professional A/S, Denmark. Printed in Denmark.

P/N 35000545 Rev. A



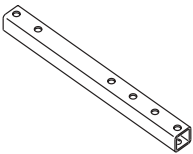
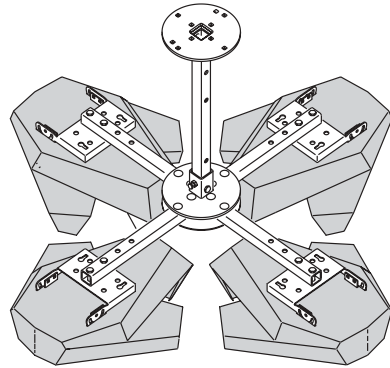
x3

=



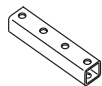
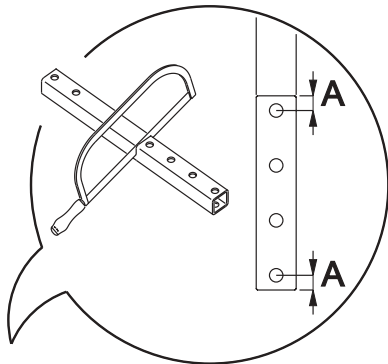
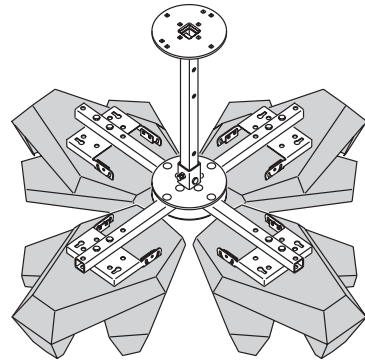
x4

=



x4

=



x4

=

