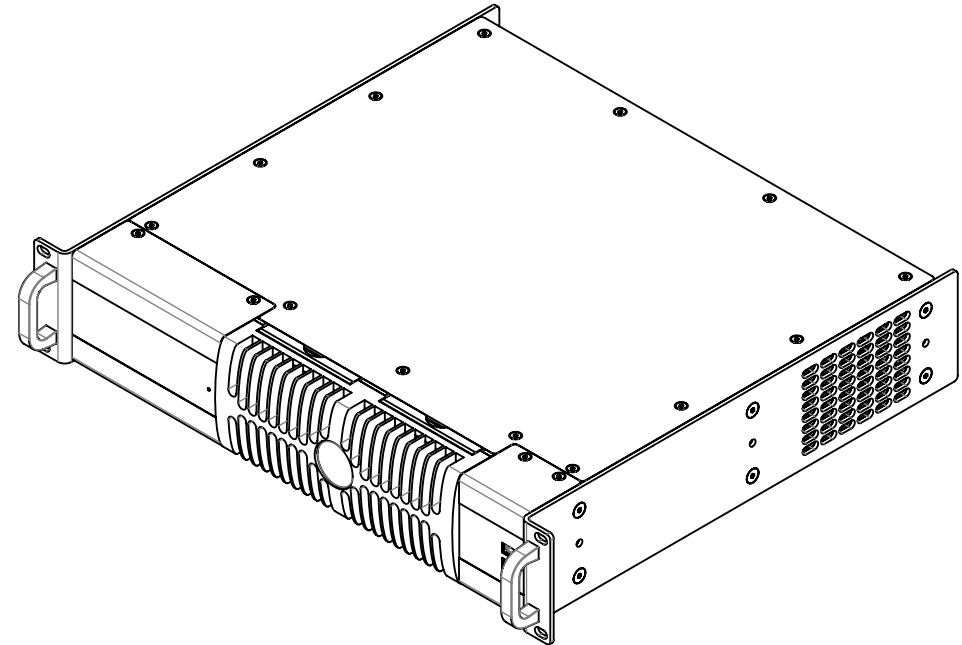
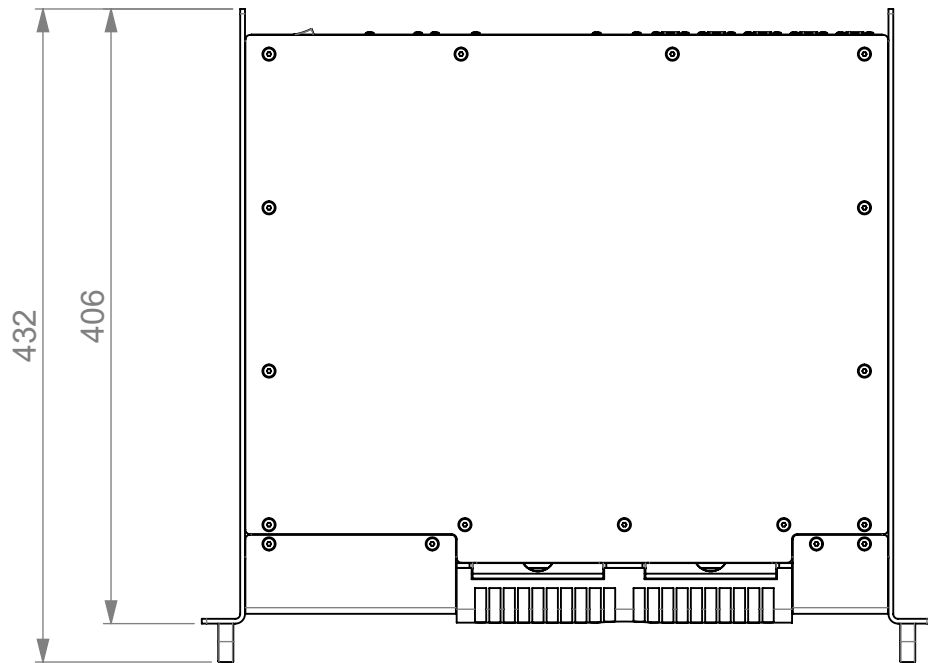
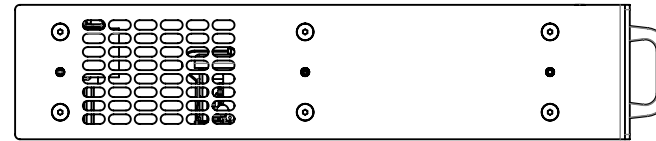
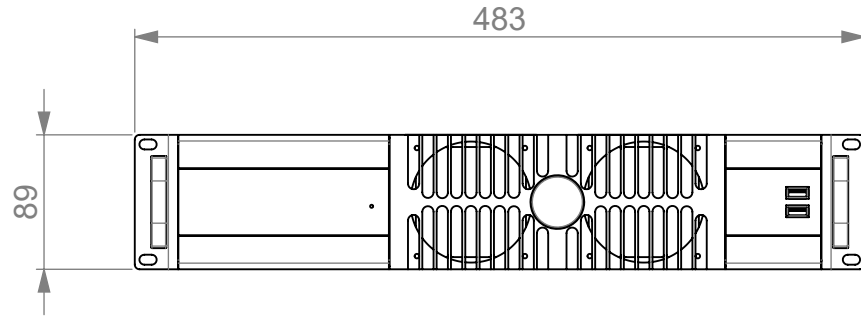




REVISION HISTORY

DATE	REV.	DESCRIPTION	BY
30-10-2023	A	First release	LTousgaard



© 2023 HARMAN Professional Denmark ApS PROPRIETARY AND CONFIDENTIAL PROPERTY OF HARMAN. DO NOT DISCLOSE, REPRODUCE, OR PUBLISH WITHOUT WRITTEN HARMAN APPROVAL.	Material	FIRST ANGLE PROJECTION 		HARMAN Professional Denmark ApS Olof Palmes Allé 44 DK 8200 Aarhus N				
	General linear tolerance			TITLE				
<b>ROHS</b> RESTRICTION OF HAZARDOUS SUBSTANCES ALL MATERIALS USED IN THIS PART MUST BE ROHS COMPLIANT. SUPPLIER SHALL PROVIDE A CERTIFICATE OF ROHS COMPLIANCE WITH THE FIRST ARTICLE.	General angular tolerance	Surface treatment	P3-275 SYSTEM CONTROLLER					
	General geometrical tolerance	Color	NO. REV					
	DIMENSIONS SHOWN ARE FOR REFERENCE AND INSPECTION ONLY. REFER TO CAD MODEL PROVIDED WITH THIS DRAWING FOR OVERALL DEFINITION OF PART GEOMETRY.		Project number	SIZE A4	SCALE 1:5	UNIT mm	DO NOT SCALE DRAWING	SHEET OF 1 1