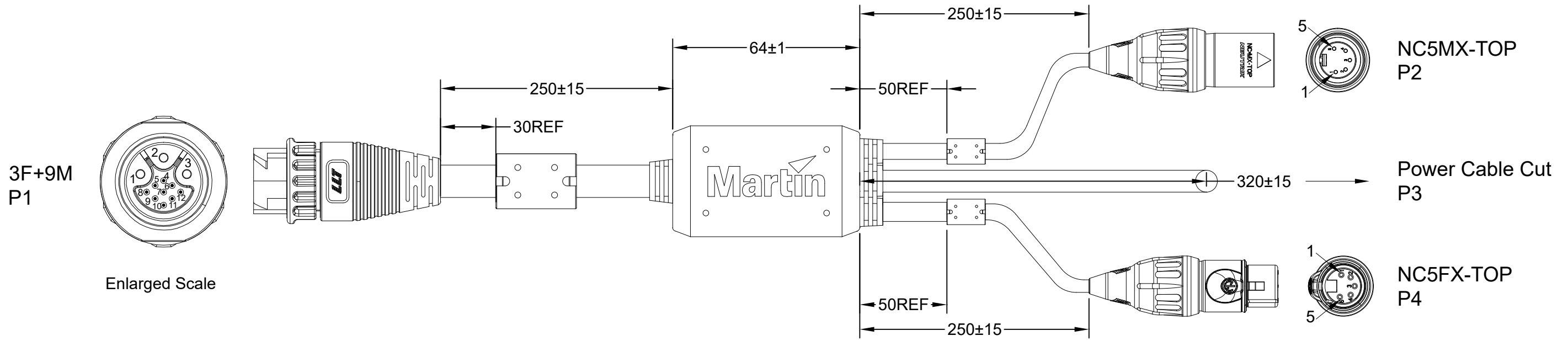
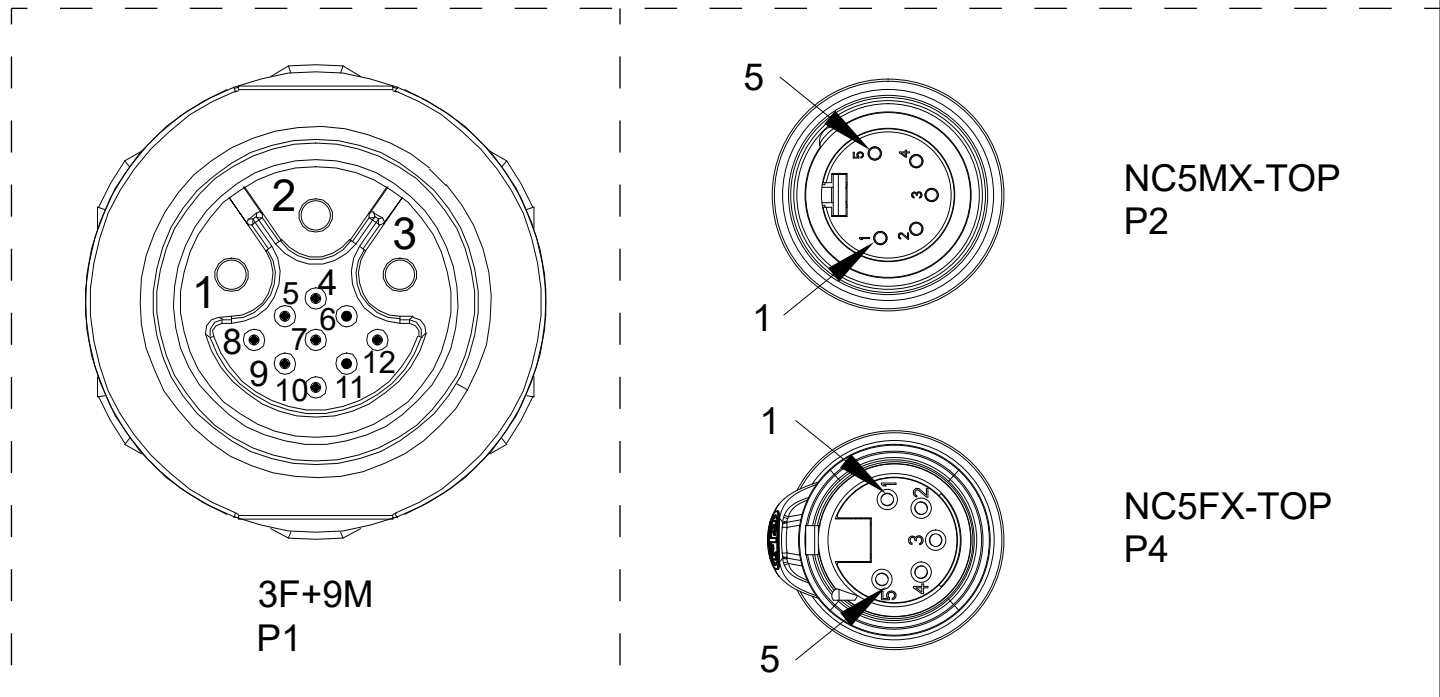


REVISION HISTORY			
DATE	REV.	DESCRIPTION	BY
29-03-2022	A	First release	LTousgaard



PIN ASSIGNMENT					
P1(M25)	Color	Function	P2(NC5MX)	P3(Power)	P4(NC5FX)
1	White	Neutral (N)		Cut(White)	
2	Green/Yellow	Earth (⊥)		Cut(Green)	
3	Brown	Live (L)		Cut(Black)	
4	Blue	DMX +	3 (Green/White)		
		DMX +			3 (Green/White)
5	Brown, Brown/White	DMX Common	1 (Drain)		
6		DMX Common			1 (Drain)
7	Blue/White	DMX -	2 (Green)		
		DMX -			2 (Green)

NOTE:
 1. Operation Temp: Connector (-20°~+105°) / Cable (-15°~+75°);
 2. Waterproof rating: IP66;
 3. Connection Style: Soldering (Pin&Wire);Ultrasonic Welding (Wire&Wire);
 4. Over-mold Material: PVC;
 5. Fireproof rating: UL94-V0;



© 2021 HARMAN Professional Denmark ApS PROPRIETARY AND CONFIDENTIAL PROPERTY OF HARMAN. DO NOT DISCLOSE, REPRODUCE, OR PUBLISH WITHOUT WRITTEN HARMAN APPROVAL.	Material	FIRST ANGLE PROJECTION		HARMAN Professional Denmark ApS Oluf Palmes Allé 44 DK 8200 Aarhus N			
	General linear tolerance				Surface treatment		
ROHS RESTRICTION OF HAZARDOUS SUBSTANCES ALL MATERIALS USED IN THIS PART MUST BE ROHS COMPLIANT. SUPPLIER SHALL PROVIDE A CERTIFICATE OF ROHS COMPLIANCE WITH THE FIRST ARTICLE.	General angular tolerance	Color	TITLE BREAKINOUT CABLE POWER-DMX TO PDE				
	General geometrical tolerance	Project number	NO. MAR-91700003	REV A			
DIMENSIONS SHOWN ARE FOR REFERENCE AND INSPECTION ONLY. REFER TO CAD MODEL PROVIDED WITH THIS DRAWING FOR OVERALL DEFINITION OF PART GEOMETRY.		SIZE A3	SCALE -	UNIT mm	DO NOT SCALE DRAWING	SHEET 1	OF 1