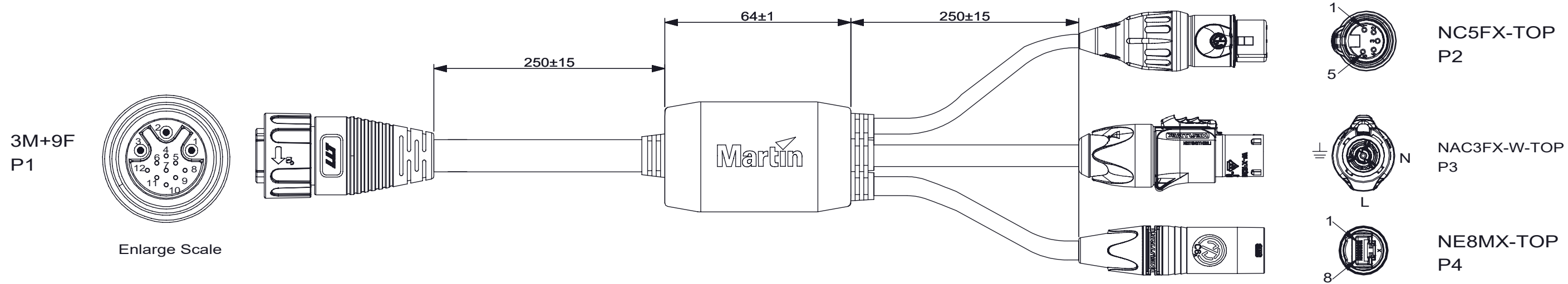


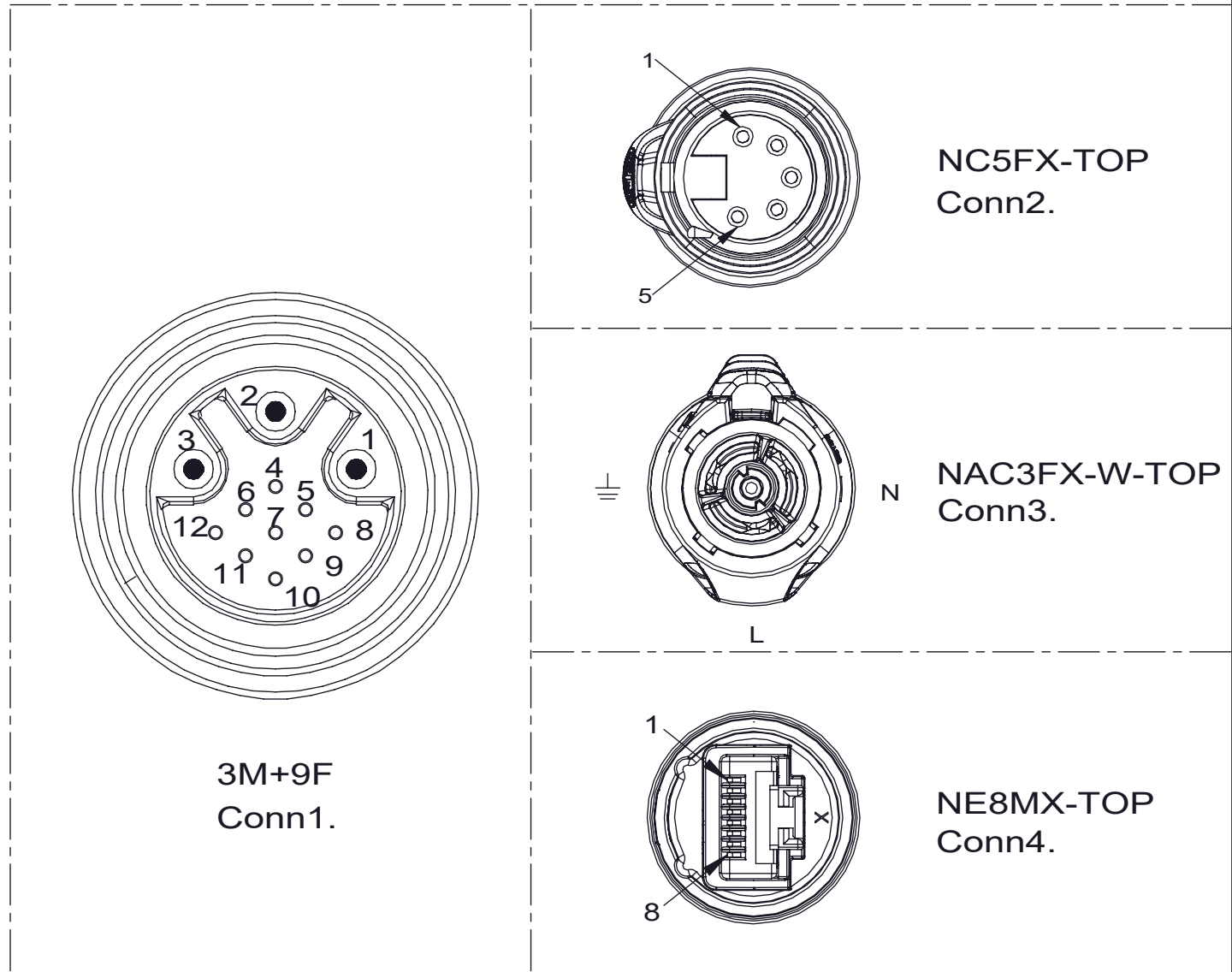
REVISION HISTORY			
DATE	REV.	DESCRIPTION	BY
12/2/2020	A	First release	RyanJiang



Connector P1	Cable 1	Function	Cable 2	Connector P4	Cable 3	Connector P2	Cable 4	Connector P3
M25	Hybrid		Cat5e	EtherCON	DMX	XL R	SJT	PowerCON
12	Green	Ethernet RX-	Green	6	---	---	---	---
11	White/Green	Ethernet RX+	White/Green	3	---	---	---	---
9	Orange	Ethernet RX+	White/Orange	1	---	---	---	---
8	White/Orange	Ethernet RX-	Orange	2	---	---	---	---
7	White/Blue	DMX-	---	---	Orange	2	---	---
10	Drain/Shield	Ethernet Shield	Drain/Shield	Shell	---	---	---	---
6	White/Brown	DMX Common	---	---	Drain/Shield	1	---	---
5	Brown	DMX Common	---	---	Drain/Shield	1	---	---
4	Blue	DMX+	---	---	Green	3	---	---
3	Black	Live	---	---	---	---	Black	Live
2	Green/yellow	Ground/Earth	---	---	---	---	Green	Earth
1	WHITE	Neutral	---	---	---	---	White	Neutral
---	---	NO Function	Blue	4	---	---	---	---
---	---	NO Function	White/Blue	5	---	---	---	---
---	---	NO Function	White/Brown	7	---	---	---	---
---	---	NO Function	Brown	8	---	---	---	---
---	---	NO Function	---	---	---	4	---	---
---	---	NO Function	---	---	---	5	---	---
---	---	NO Function	---	---	White	---	---	---
---	---	NO Function	---	---	Blue	---	---	---

Pin Out

- NOTE:**
1. Operation Temp: connector(-20°~+105°)/cable(0°~+80°);
 2. Waterproof rating: IP67;
 3. Connection Style(Pin&Wire): Soldering;
 4. Over-mold Material: Nylon;
 5. Fireproof rating: UL94-V0;
 6. Connector contact: power pin Ø2.0,signal pin Ø1.0;
 7. Contact & Coating: Brass with gold plated;
 8. Sealing: Silicon O-ring;
 9. Current rating: power pins 16A,signal pins 5A;
 10. Voltage rating: 300V;
 11. Hot-pluggable(according to UL1977): 277V,24A,250CYCLES,0.75~0.8PF;
 12. Cable1: UL21388type,(24AWG*4 pairs+shield) + (14AWG*3)UL758certificate;
 13. Cable2: DMX512 2P*7/0.24 ,OD9.0mm,Jacket color:black
 14. Cable3: H05VV-F(1.5*3C)OD8.0mm,Jacket color:black
 15. Cable4: CAT.5e(4*24AWG)OD5.5mm, Jacket color:black



[MS 11445 General Technical Specification] - apply to this item

© 2020 HARMAN Professional Denmark ApS PROPRIETARY AND CONFIDENTIAL PROPERTY OF HARMAN. DO NOT DISCLOSE, REPRODUCE, OR PUBLISH WITHOUT WRITTEN HARMAN APPROVAL.	Material	FIRST ANGLE PROJECTION		HARMAN HARMAN Professional Denmark ApS Claf Palmes Allé 44 DK 8200 Aarhus N
	General linear tolerance			
ROHS RESTRICTION OF HAZARDOUS SUBSTANCES ALL MATERIALS USED IN THIS PART MUST BE ROHS COMPLIANT. SUPPLIER SHALL PROVIDE A CERTIFICATE OF ROHS COMPLIANCE WITH THE FIRST ARTICLE.	General angular tolerance	Surface treatment	Breakout Cable PDE to Power-DMX-Ethernet	
	General geometrical tolerance	Color	NO. MAR-91700001 REV A	
	DIMENSIONS SHOWN ARE FOR REFERENCE AND INSPECTION ONLY. REFER TO CAD MODEL PROVIDED WITH THIS DRAWING FOR OVERALL DEFINITION OF PART GEOMETRY.		Project number	SIZE A3 SCALE 1:1 UNIT mm DO NOT SCALE DRAWING SHEET OF 1 1