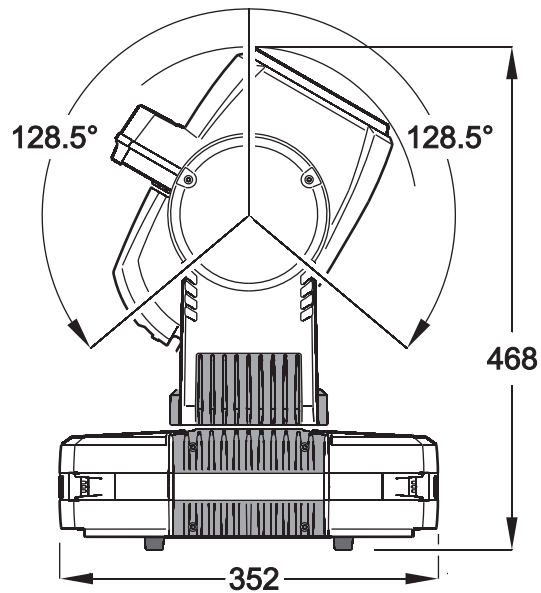
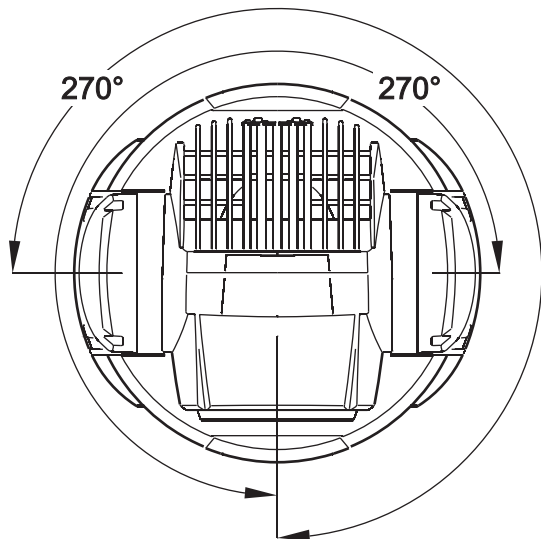
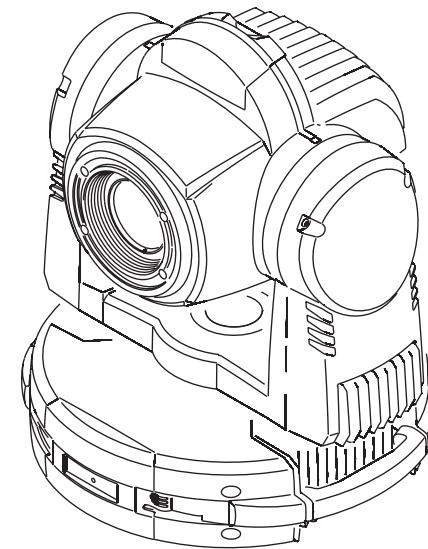


Minimum c/c distance: 390



All dimensions in mm

<b>Martin</b>		Weight (kg)	21	
Product	Martin SmartMAC	Scale	Date	12.12.2007
Description		Sign		NPE
Dimensions		Drawing		Revision
		Dimensions		A